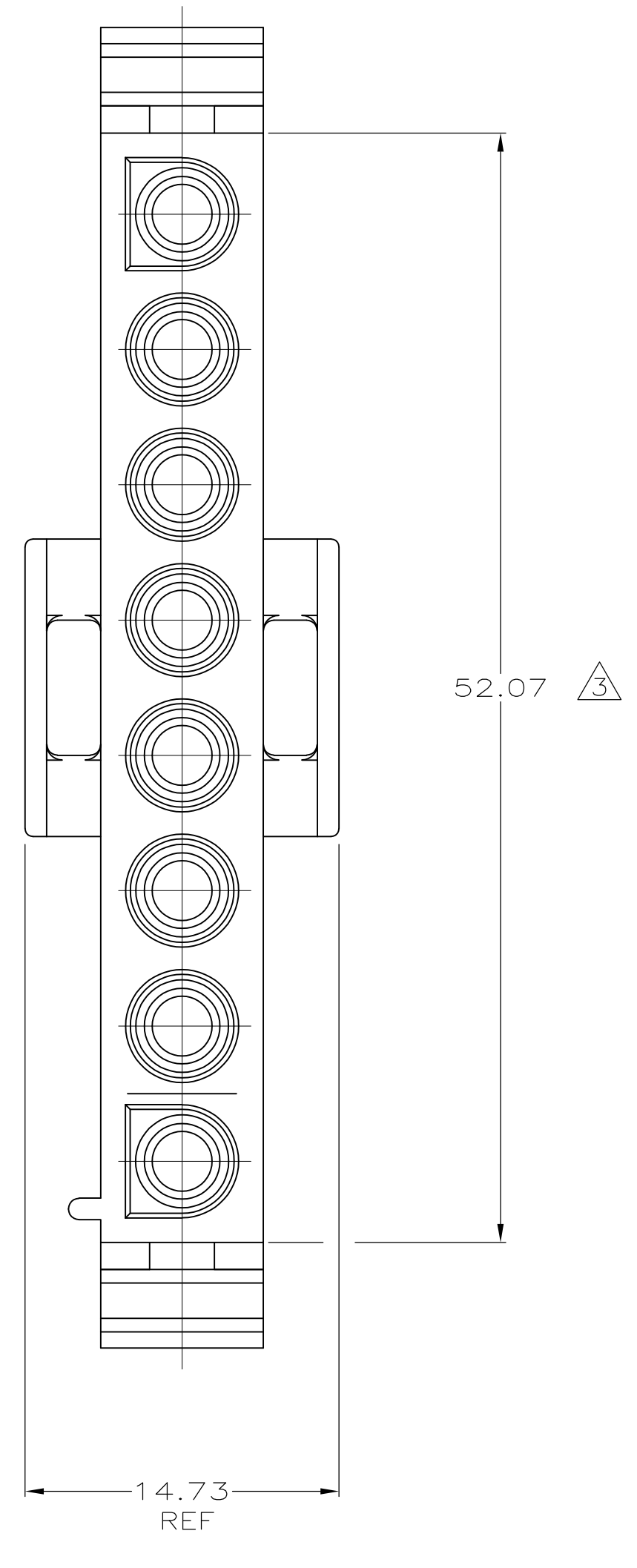
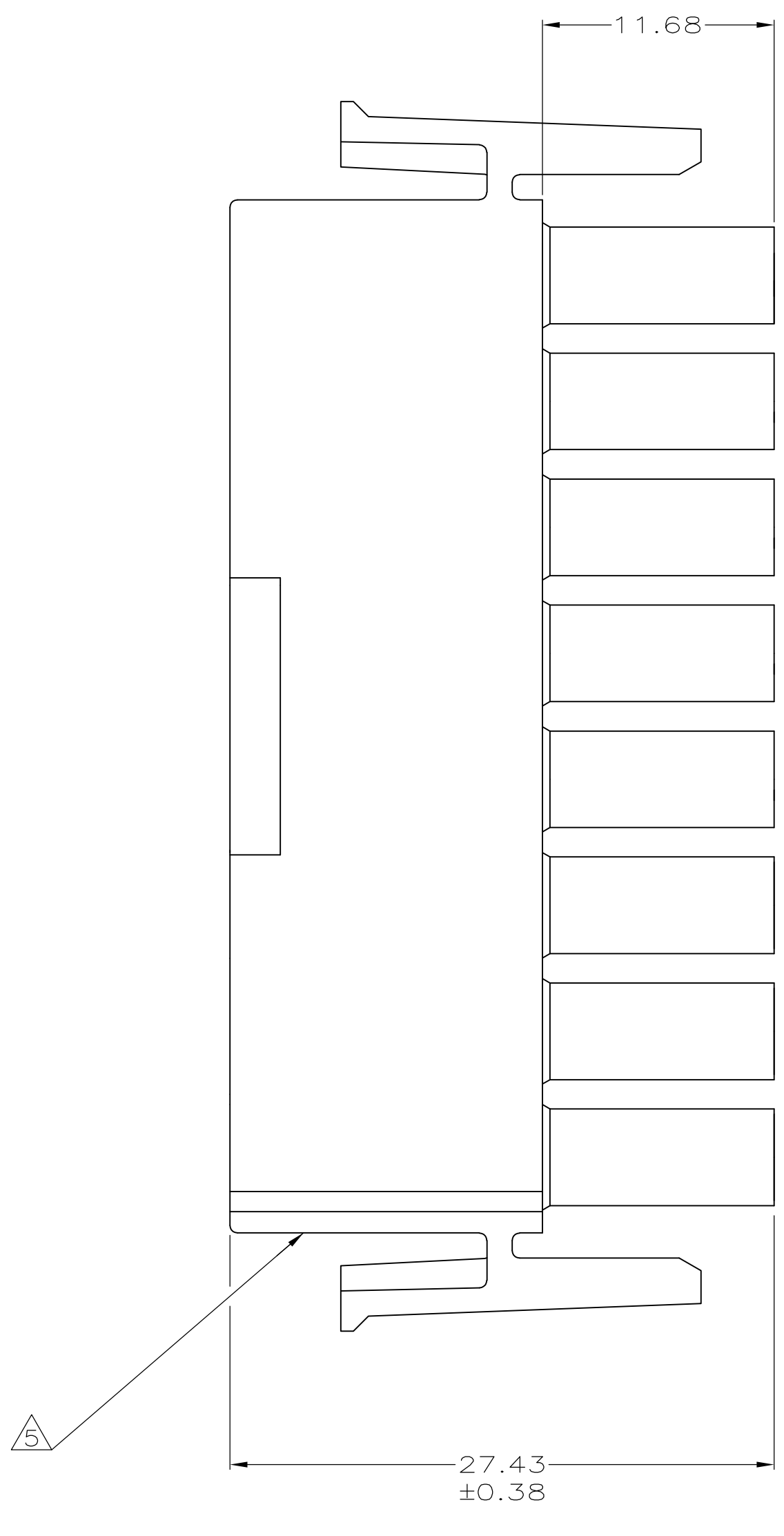
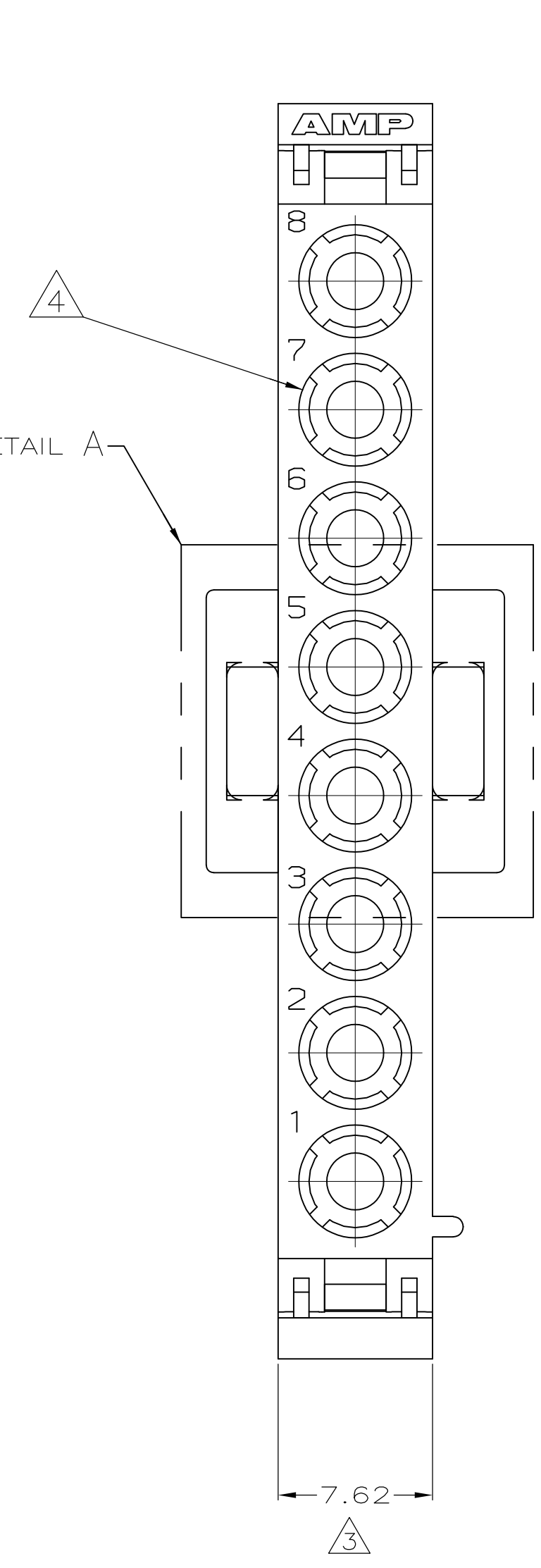
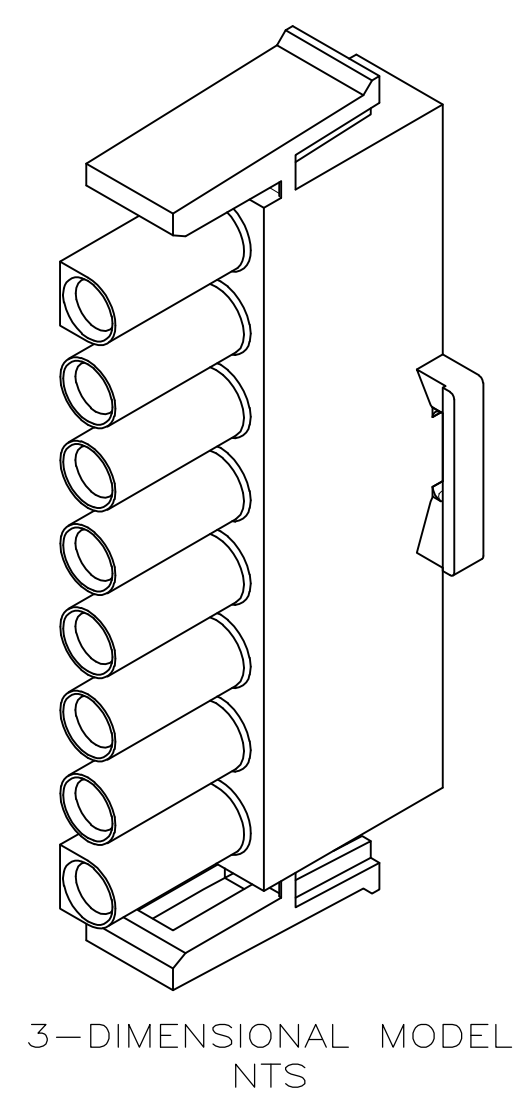
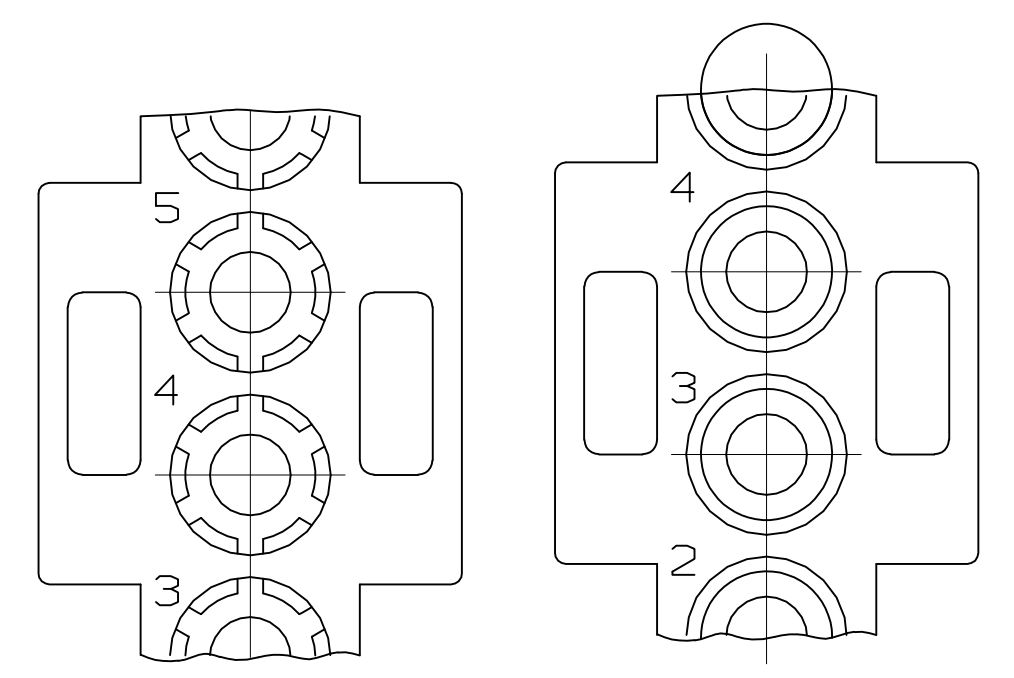


LOC	DIST	REVISIONS			
P	LTR	DESCRIPTION	DATE	OWN	APVD
S1		REVISED PER ECO-11-004917	11MAR11	RK	HMR



- MATES WITH APPROPRIATE UNIVERSAL MATE-N-LOK™ CAP OR HEADER.
- SMALL NICKS ARE PERMITTED ON THE CIRCUIT TOWERS WHICH COULD INCREASE THE INITIAL HOUSING MATING FORCE BY UP TO 4.4 NEWTONS [1.0 LBS]. NO INDIVIDUAL NICKED TOWER SHALL INCREASE THIS FORCE BY OVER 2.2 NEWTONS [.5 LBS].
- DIMENSION INDICATED IS AS MOLDED. ADDITIONAL GROWTH DUE TO SUBSEQUENT MOISTURE ABSORPTION MAY OCCUR.
- FOUR RIBS EQUALLY SPACED, NO SPECIFIC ORIENTATION. NO RIBS OR SIX RIBS EQUALLY SPACED, NO SPECIFIC ORIENTATION, OPTIONAL.
- UNDERWRITERS RECOGNIZED COMPONENT LOGO AND CSA CERTIFICATION LOGO TO BE LOCATED ONCE EACH ON SIDE OF HOUSING.



MM	IN
52.07	2.050
27.43	1.080
14.73	.580
11.68	.460
7.62	.300
0.38	.015
0.13	.005
MM	IN

CONVERSION TABLE

THIS DRAWING IS A CONTROLLED DOCUMENT.

DIMENSIONS: MM(INCHES)	TOLERANCES UNLESS OTHERWISE SPECIFIED:	0 PLC ± .13	1 PLC ± .13	2 PLC ± .13	3 PLC ± .13	4 PLC ± .13	ANGLES ± .13	FINISH
MATERIAL: NYLON,UL 94V-0		APVD: D. SELF		PRODUCT SPEC: -		APPLICATION SPEC: -		WEIGHT: -

OWN: K. WHITAKER	2-28-92	640582-1	
CHK: R. SWING	2-28-92	PART NO	
NAME: PLUG, 8 CIRCUIT, UNIVERSAL MATE-N-LOK™		STE TE Connectivity	
SIZE: A1	CAGE CODE: 00779	DRAWING NO: 640582	RESTRICTED TO: -
SCALE: 4:1	SHEET: 1 OF 1	REV: S1	CUSTOMER DRAWING