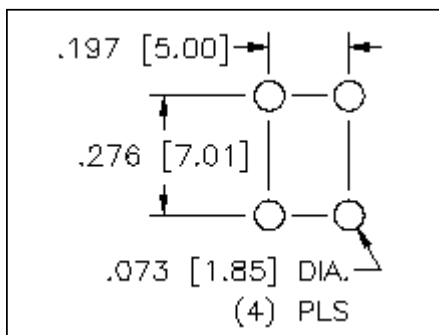
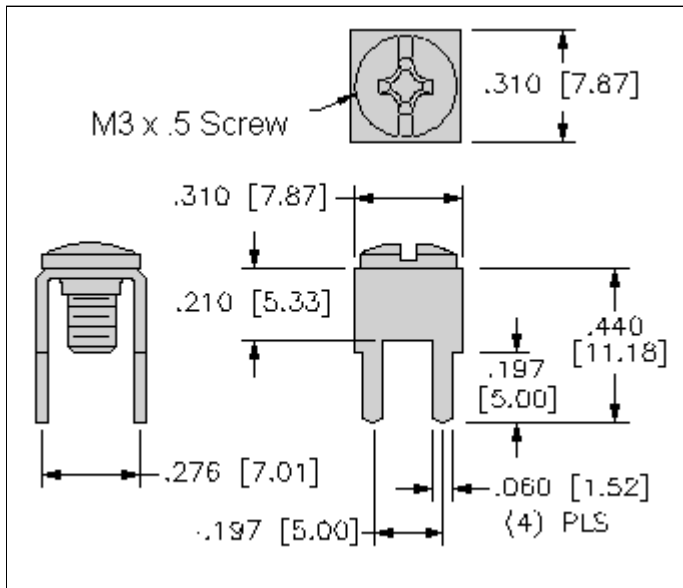




"Sturdi-Mount" Metric PCB Screw Terminals

M3 Threads

Vertical Mount Type



"Press In" PCB Mount Style		
Cat. No.	Screw Supplied	Screw Color
7770	Less Screw	None
7771	Unassembled	None
7771-2	Unassembled	Red
7771-3	Unassembled	Black
7771-4	Unassembled	White
7771-5	Unassembled	Blue
7771-6	Unassembled	Green
7771-7	Unassembled	Yellow
7772	Installed & Captivated	None
7772-2	Installed & Captivated	Red
7772-3	Installed & Captivated	Black
7772-4	Installed & Captivated	White
7772-5	Installed & Captivated	Blue
7772-6	Installed &	Green

	Captivated	
7772 -7	Installed & Captivated	Yellow
Specifications		
<p>Rated: 15 Amps</p> <p>Terminal: .032 [0.81mm] Thick Brass, Tin Plate</p> <p>Screw: Combination Binding Head - Brass, Nickel Plate</p> <p>Head of screw is painted with color as indicated in chart.</p>		

[Click to Request Samples](#)



© 2011 Keystone Electronics Corp. | 31-07 20th Road | Astoria, NY 11105 | 718-956-8900 | 800-221-5510 | 718-956-9040
fax | www.keyelco.com