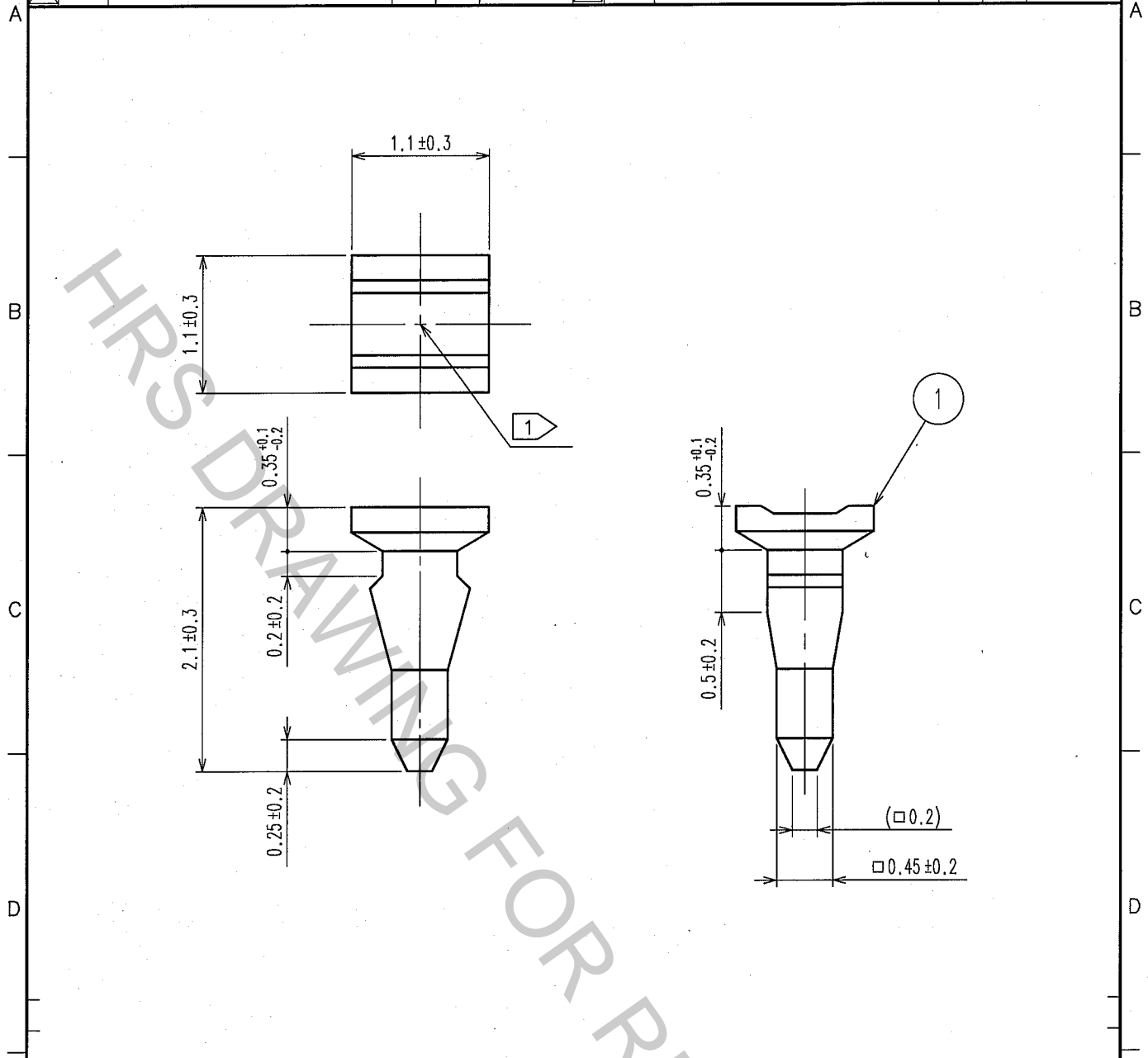


1		2			3			4		
COUNT	DESCRIPTION OF REVISIONS	BY	CHKD	DATE	COUNT	DESCRIPTION OF REVISIONS	BY	CHKD	DATE	
△				..	△				..	
△				..	△				..	
△				..	△				..	



NOTE ① THIS PRODUCT IS PROVIDED IN A SET OF 10 PIECES IN CONJUNCTION WITH A RUNNER. THE UNIT FOR SALE CONSISTS OF 10 SETS, WHICH ARE INCLUDED IN ONE PACK.

NO. 1		POLYACETAL		WHITE	
NO. 1		MATERIAL		FINISH, REMARKS	
CODE NO. (OLD) CL		DRAWN A. SUZUKAWA 06.10.16		DESIGNED <i>K. Nakamura</i> 06.10.17	
		CHECKED <i>J. Ozawa</i> 06.10.17		APPROVED <i>H. Okawa</i> 06.10.17	
		RELEASED			
DRAWING NO. EDC4-021374		PART NO. A3-GP IN(A)			
SACLE 20:1		CODE NO. CL621-0178-2		1/1	
UNITS mm		HRS HIROSE ELECTRIC CO., LTD.			

TO