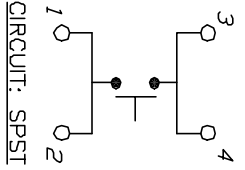
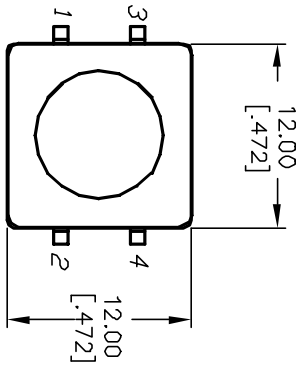
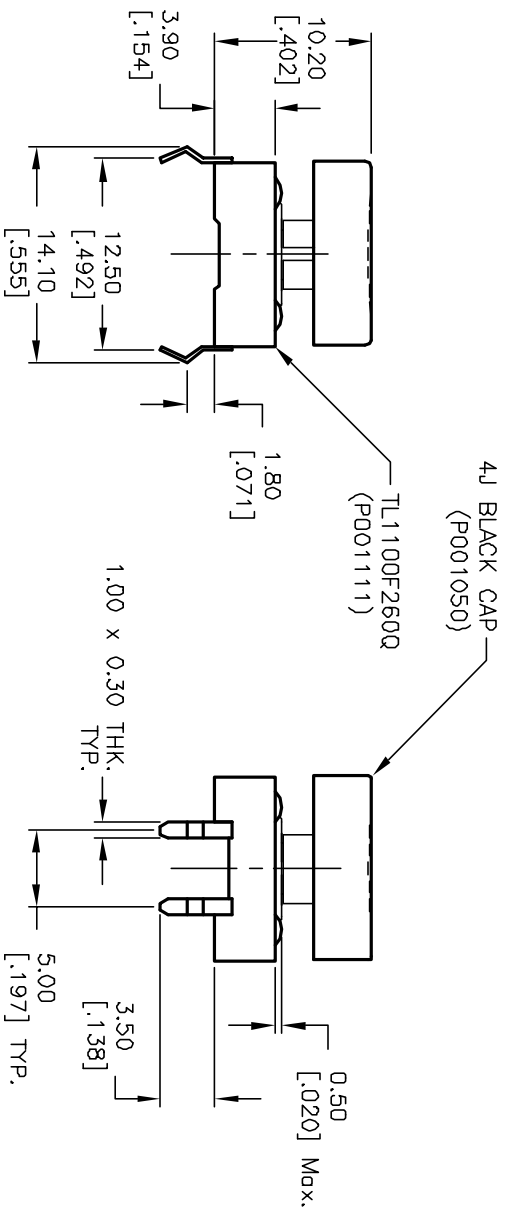


RECOMMENDED P.C.B. LAYOUT



- NOTES:
1. ALL DIMENSIONS IN MM. [INCH]
  2. GENERAL TOLERANCE: X.X=±0.4 X.XX=±0.25
  3. TERM. NOS. FOR REF. ONLY
  4. RATING: 50mA, @12V DC
  5. TRAVEL: 0.30±0.15mm
  6. OPERATING FORCE: 260±50gf
  7. CONTACT RESISTANCE: 100 MILLIOHMS Max.
  8. ELECTRICAL LIFE: 100,000 CYCLES MIN.



REV. A		11825		RELEASED FOR PRODUCTION		11/08/01		CJC	
REV. A		ECN No.		DESCRIPTION		DATE		CHKD	
TITLE: TL 1100 F260 Q (4J BLK) SCALE: 2:1 DATE: 11/08/01 DR: CJC DWG: XP0045P REV: A									
THE INFORMATION CONTAINED IN THIS DOCUMENT IS PROPRIETARY TO E-SWITCH AND IS NOT TO BE COPIED OR TRANSMITTED									

