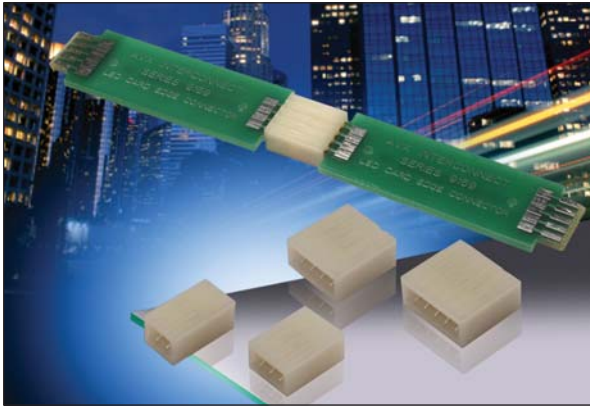


Standard Card Edge: BTB

00-9159



The 9159 series of Board-to-Board interconnect system allows two PCB's to be mated end-to-end creating strips of LED lighting. Designed specifically for the unique Solid State Lighting (SSL) market requiring coplanar (horizontal-to-horizontal) PCB mating. The 1-Piece Card Edge connector was developed to provide a reliable, low cost and simple means of connecting multiple PCB's together. The single stamped contact has dual contact beams to guarantee a high contact force on standard 1.6mm PCB's. These connectors are available in 2 through 5 positions and are on 2.0mm pitch centers to provide a 3 amp continuous rating.

APPLICATIONS

- Coplanar PCB mating in SSL products
- LED linear lighting strips

FEATURES AND BENEFITS

- Dual contacts provide positive contact force for enhanced reliability
- Mates with standard 1.6 ± 0.15 mm PCB on 2.0mm pad pitch
- 3 amp current rating for high current applications
- Available in white: supports SSL market preferences

ELECTRICAL

- Current Rating: 3 Amps / Contact
- Voltage Rating: 300 VAC

ENVIRONMENTAL

- Operating Temperature: -40°C to +125°C

MECHANICAL

- Insulator Material: Nylon 46: UL94HB
- Contact Material: Phosphor Bronze
- Plating: Tin over Nickel
- Durability: 5 Cycles

HOW TO ORDER

00	9159	00X	0	01	9	1	X															
Prefix	Series	Number of Ways	Single Part PCB Strip Connector	PCB Thickness	Color Options	Packaging Options	Plating Option															
		<table border="1"> <thead> <tr> <th>Code</th> <th>No of Ways</th> <th>Details</th> </tr> </thead> <tbody> <tr> <td>002</td> <td>2</td> <td>Page 2</td> </tr> <tr> <td>003</td> <td>3</td> <td>Page 3</td> </tr> <tr> <td>004</td> <td>4</td> <td>Page 4</td> </tr> <tr> <td>005</td> <td>5</td> <td>Page 5</td> </tr> </tbody> </table>	Code	No of Ways	Details	002	2	Page 2	003	3	Page 3	004	4	Page 4	005	5	Page 5		01 = 1.60 ± 0.15	9 = UL	1 = Bag (std)	6 = Pure Tin all over 1 = Gold Flash
Code	No of Ways	Details																				
002	2	Page 2																				
003	3	Page 3																				
004	4	Page 4																				
005	5	Page 5																				

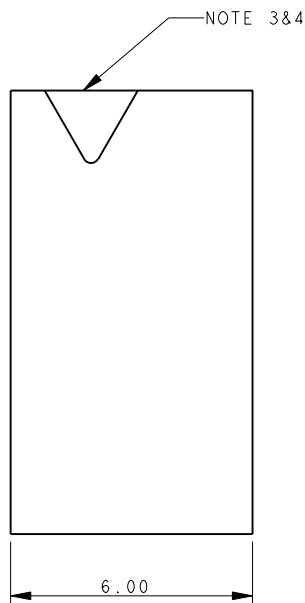
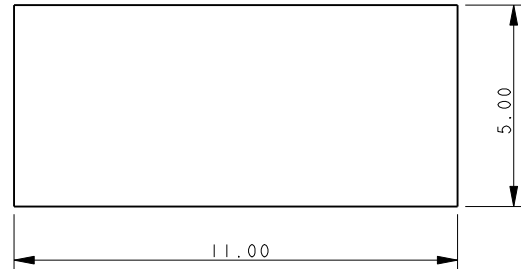
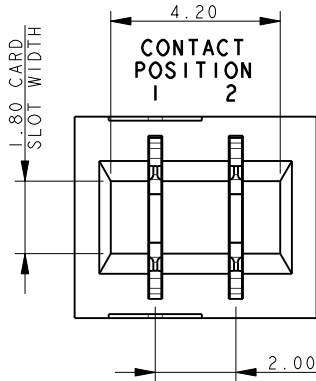
Certification: UL File #E90723



Standard Card Edge: BTB

00-9159

2 WAY SINGLE PART PCB STRIP CONNECTOR

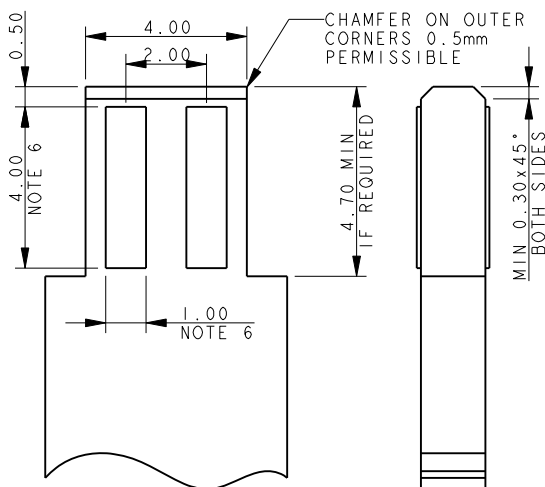


NOTES:

1. FOR MORE INFORMATION REFER TO PRODUCT SPEC 201-01-118.
2. DIMENSIONS ARE REFERENCE DIMENSIONS UNLESS TOLERANCED.
3. ARROW TO INDICATE CONTACT POSITION 1.
4. INSULATOR MATERIAL: NYLON 46, UL94 HB, COLOR SEE PAGE 1.
5. CONTACT MATERIAL: COPPER ALLOY, TIN PLATED ALL OVER, OR GOLD FLASH OVER TIN.
6. PCB PAD, TIN PLATED.

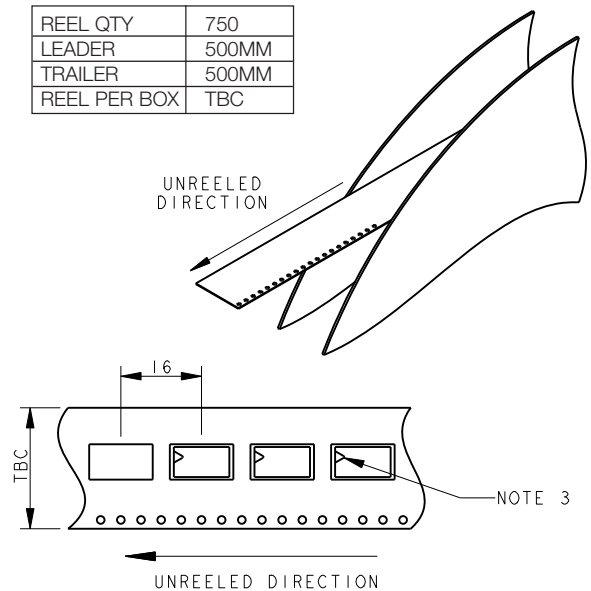
2 WAY PCB BOARD LAYOUT

THICKNESS 1.60 ± 0.15



PACKING DETAILS

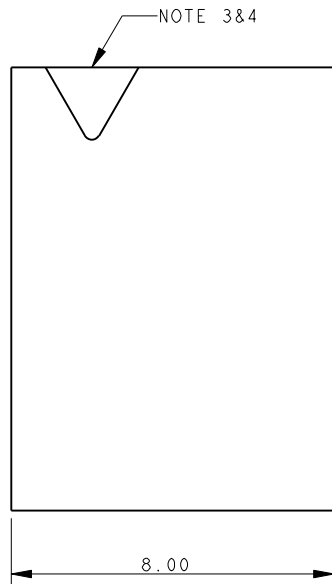
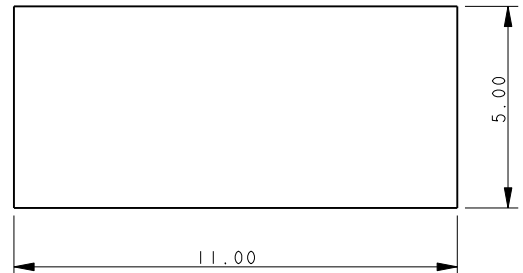
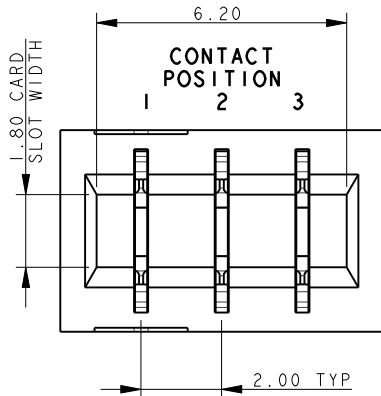
REEL QTY	750
LEADER	500MM
TRAILER	500MM
REEL PER BOX	TBC



Standard Card Edge: BTB

00-9159

3 WAY SINGLE PART PCB STRIP CONNECTOR

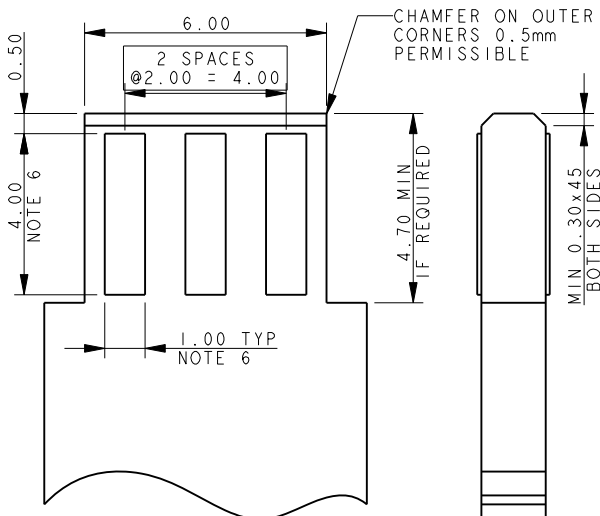


NOTES:

1. FOR MORE INFORMATION REFER TO PRODUCT SPEC 201-01-118.
2. DIMENSIONS ARE REFERENCE DIMENSIONS UNLESS TOLERANCED.
3. ARROW TO INDICATE CONTACT POSITION 1.
4. INSULATOR MATERIAL: NYLON 46, UL94 HB, COLOR SEE PAGE 1.
5. CONTACT MATERIAL: COPPER ALLOY, TIN PLATED ALL OVER, OR GOLD FLASH OVER TIN.
6. PCB PAD, TIN PLATED.

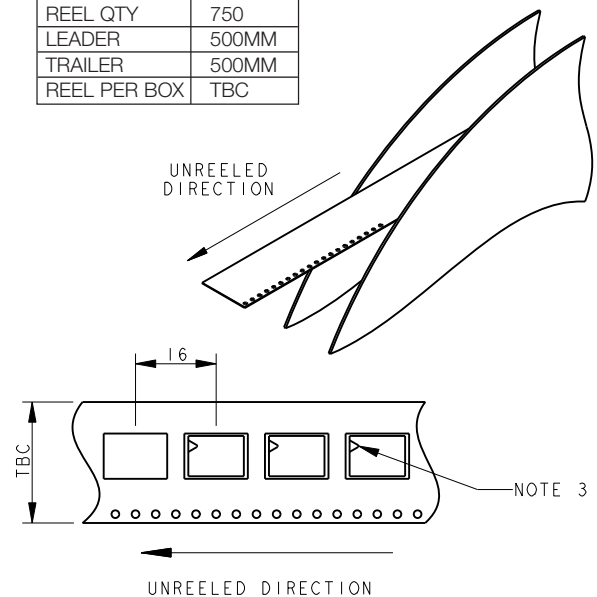
3 WAY PCB BOARD LAYOUT

THICKNESS 1.60 ± 0.15



PACKING DETAILS

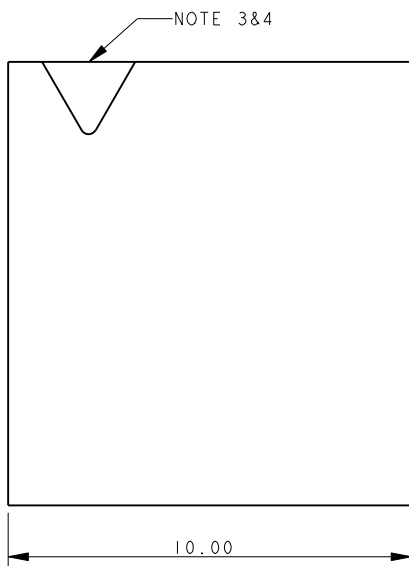
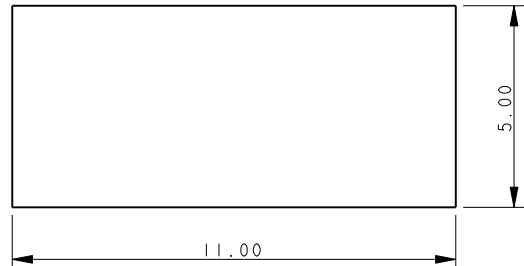
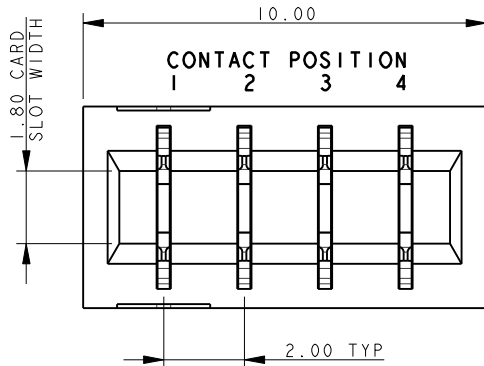
REEL QTY	750
LEADER	500MM
TRAILER	500MM
REEL PER BOX	TBC



Standard Card Edge: BTB

00-9159

4 WAY SINGLE PART PCB STRIP CONNECTOR

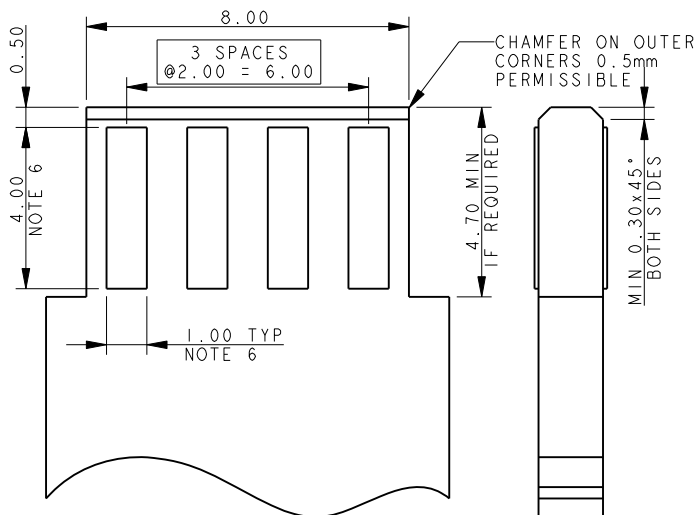


NOTES:

1. FOR MORE INFORMATION REFER TO PRODUCT SPEC 201-01-118.
2. DIMENSIONS ARE REFERENCE DIMENSIONS UNLESS TOLERANCED.
3. ARROW TO INDICATE CONTACT POSITION 1.
4. INSULATOR MATERIAL: NYLON 46, UL94 HB, COLOR SEE PAGE 1.
5. CONTACT MATERIAL: COPPER ALLOY, TIN PLATED ALL OVER, OR GOLD FLASH OVER TIN.
6. PCB PAD, TIN PLATED.

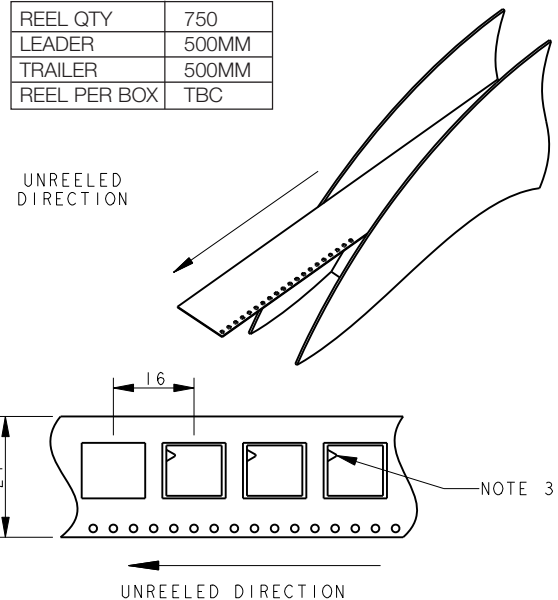
4 WAY PCB BOARD LAYOUT

THICKNESS 1.60 ± 0.15



PACKING DETAILS

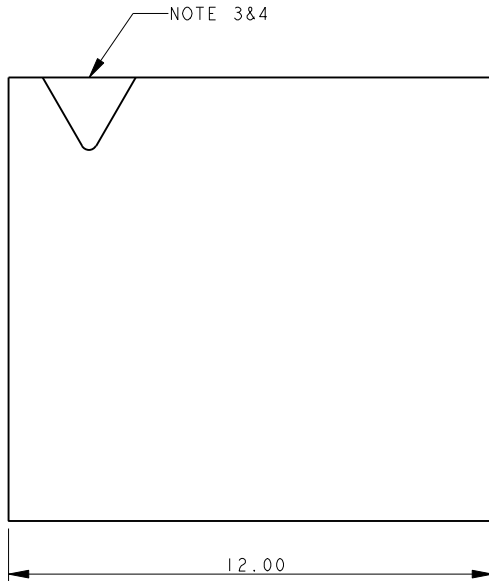
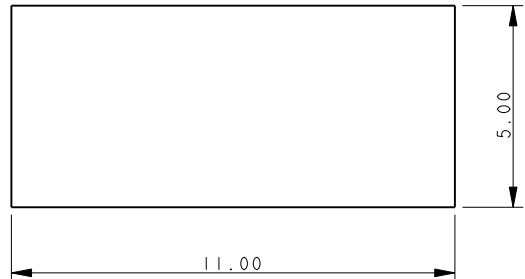
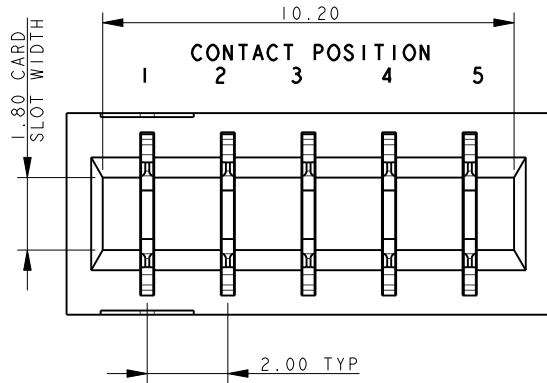
REEL QTY	750
LEADER	500MM
TRAILER	500MM
REEL PER BOX	TBC



Standard Card Edge: BTB

00-9159

5 WAY SINGLE PART PCB STRIP CONNECTOR

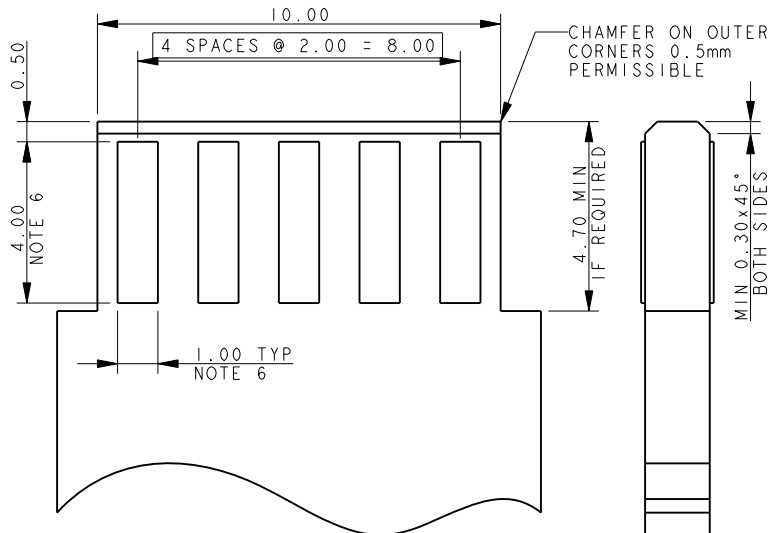


NOTES:

1. FOR MORE INFORMATION REFER TO PRODUCT SPEC 201-01-118.
2. DIMENSIONS ARE REFERENCE DIMENSIONS UNLESS TOLERANCED.
3. ARROW TO INDICATE CONTACT POSITION 1.
4. INSULATOR MATERIAL: NYLON 46, UL94 HB, COLOR SEE PAGE 1.
5. CONTACT MATERIAL: COPPER ALLOY, TIN PLATED ALL OVER, OR GOLD FLASH OVER TIN.
6. PCB PAD, TIN PLATED.

5 WAY PCB BOARD LAYOUT

THICKNESS 1.60 ± 0.15



PACKING DETAILS

REEL QTY	750
LEADER	500MM
TRAILER	500MM
REEL PER BOX	TBC

