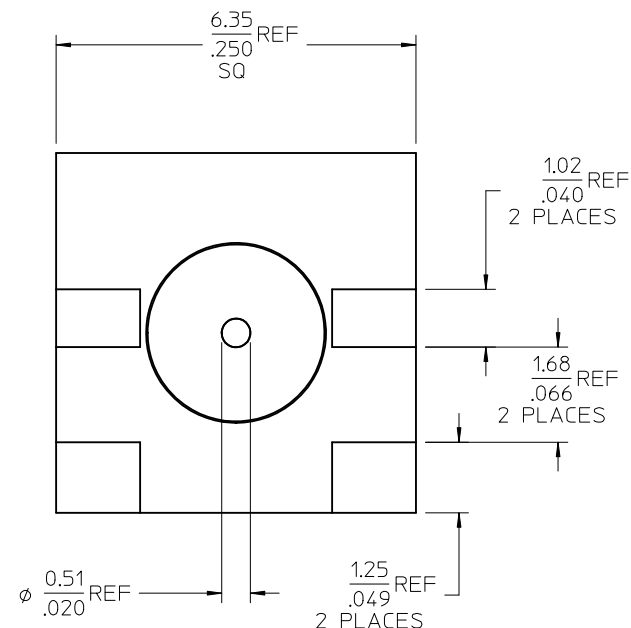
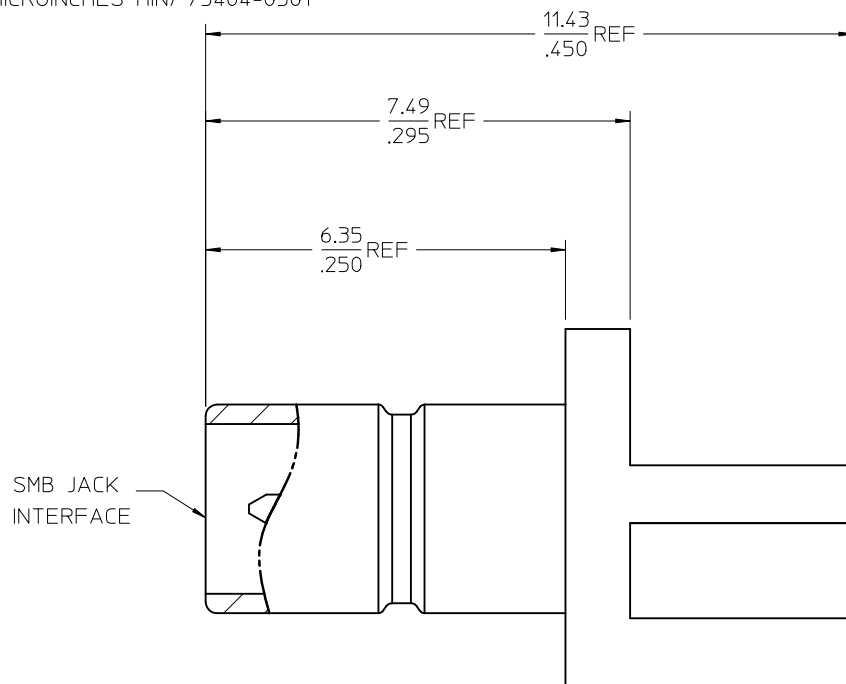
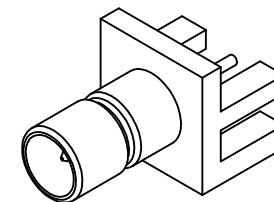


MATERIALS AND FINISHES:

BODY BRASS
 PLATED GOLD (SEE PART NUMBER DESCRIPTION)

CONTACT BRASS
 PLATED GOLD (30 MICROINCHES MIN) 73404-0300
 PLATED GOLD (20 MICROINCHES MIN) 73404-0301

INSULATOR TEFLON



ES-89675-3040	INTERFACE
PS-89675-2000	ELECTRO/MECH PERFORM.
SPECIFICATION	DESCRIPTION

73404-0301	3-5 MICROINCHES MIN.
73404-0300	30 MICROINCHES MIN.
PART NUMBER	BODY GOLD PLATING

CHG: REDREW IN SD CHANGED ALL DIMS FROM IN/MM TO MM/IN IEC NO: URF2007-0150 DRW: DRWINFLAHERTY 2006/10/10 CHKD: SSHAH 2006/10/10 APPR: WIENER 2006/10/10	QUALITY SYMBOLS	GENERAL TOLERANCES (UNLESS SPECIFIED)	DIMENSION STYLE	SCALE	DESIGN UNITS	THIRD ANGLE PROJECTION
	▼=0 ▽=0	mm INCH 4 PLACES ± --- ± --- 3 PLACES ± --- ± --- 2 PLACES ± --- ± --- 1 PLACE ± --- ± --- ANGULAR ± 2 °	MM/IN		METRIC	
	REV	DESCRIPTION	DRAWN BY	DATE	TITLE	
	A1		TEF	2000/04/11	SMB JACK, 75 OHMS AIR DIELECTRIC, EDGE MOUNT SMB-J/PCB	
DRAFT WHERE APPLICABLE MUST REMAIN WITHIN DIMENSIONS			APPROVED BY	DATE	MOLEX INCORPORATED	
			GMH	2000/04/11	SD-73404-030	
			MATERIAL NO.	DOCUMENT NO.	SHEET NO.	
			SEE TABLE		1 OF 1	
THIS DRAWING CONTAINS INFORMATION THAT IS PROPRIETARY TO MOLEX INCORPORATED AND SHOULD NOT BE USED WITHOUT WRITTEN PERMISSION						