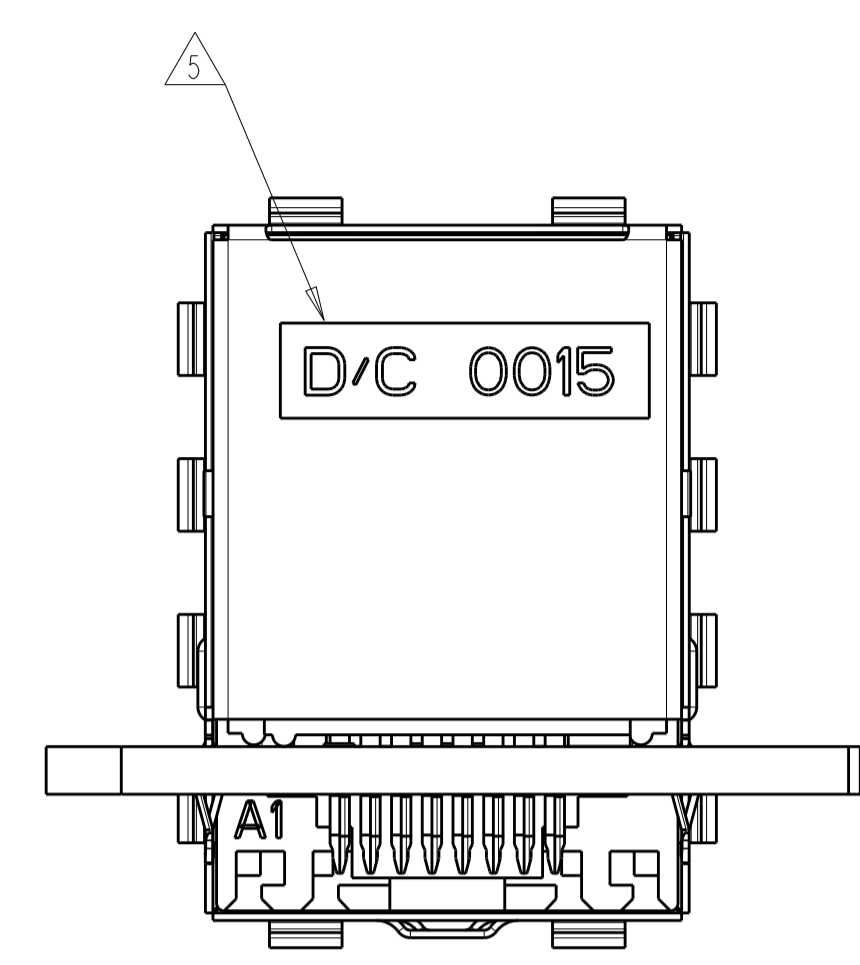
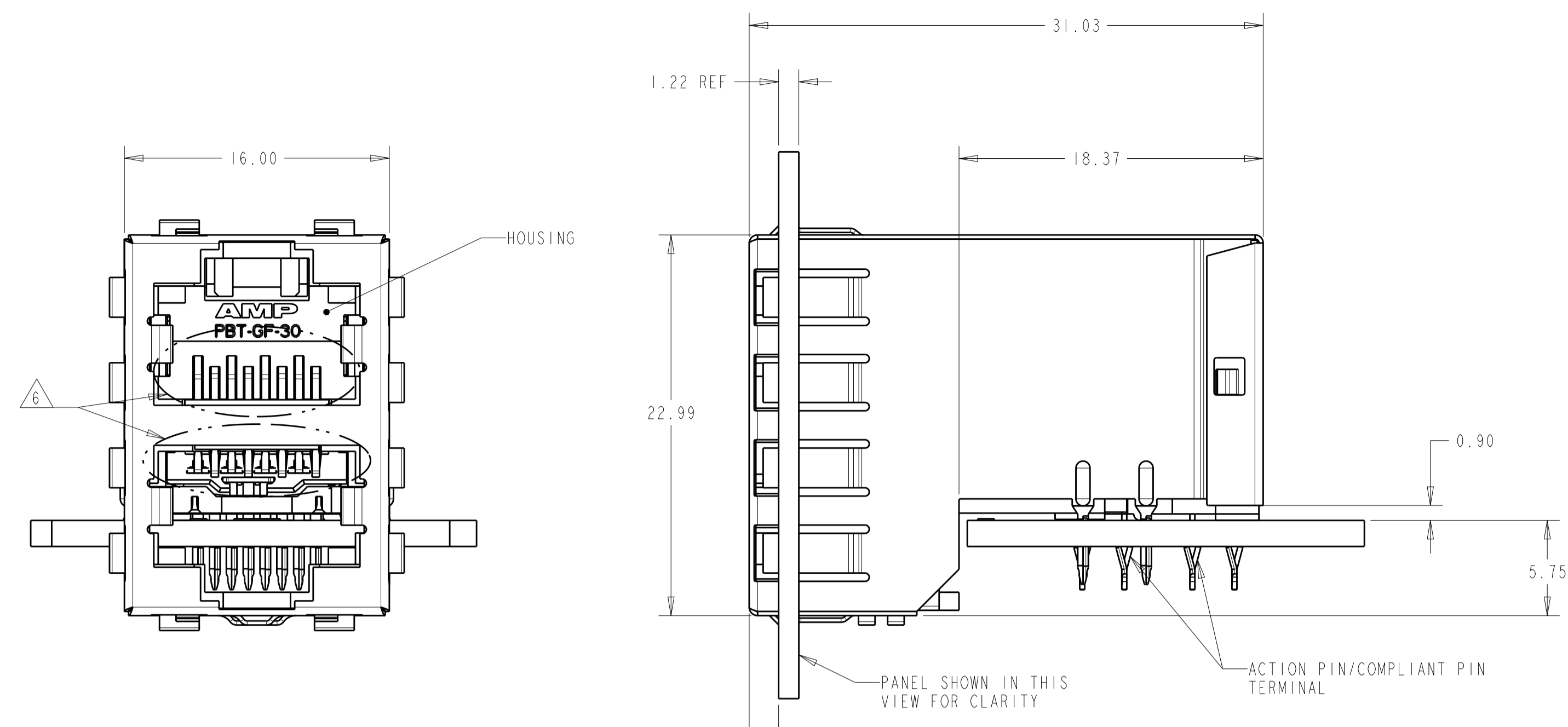
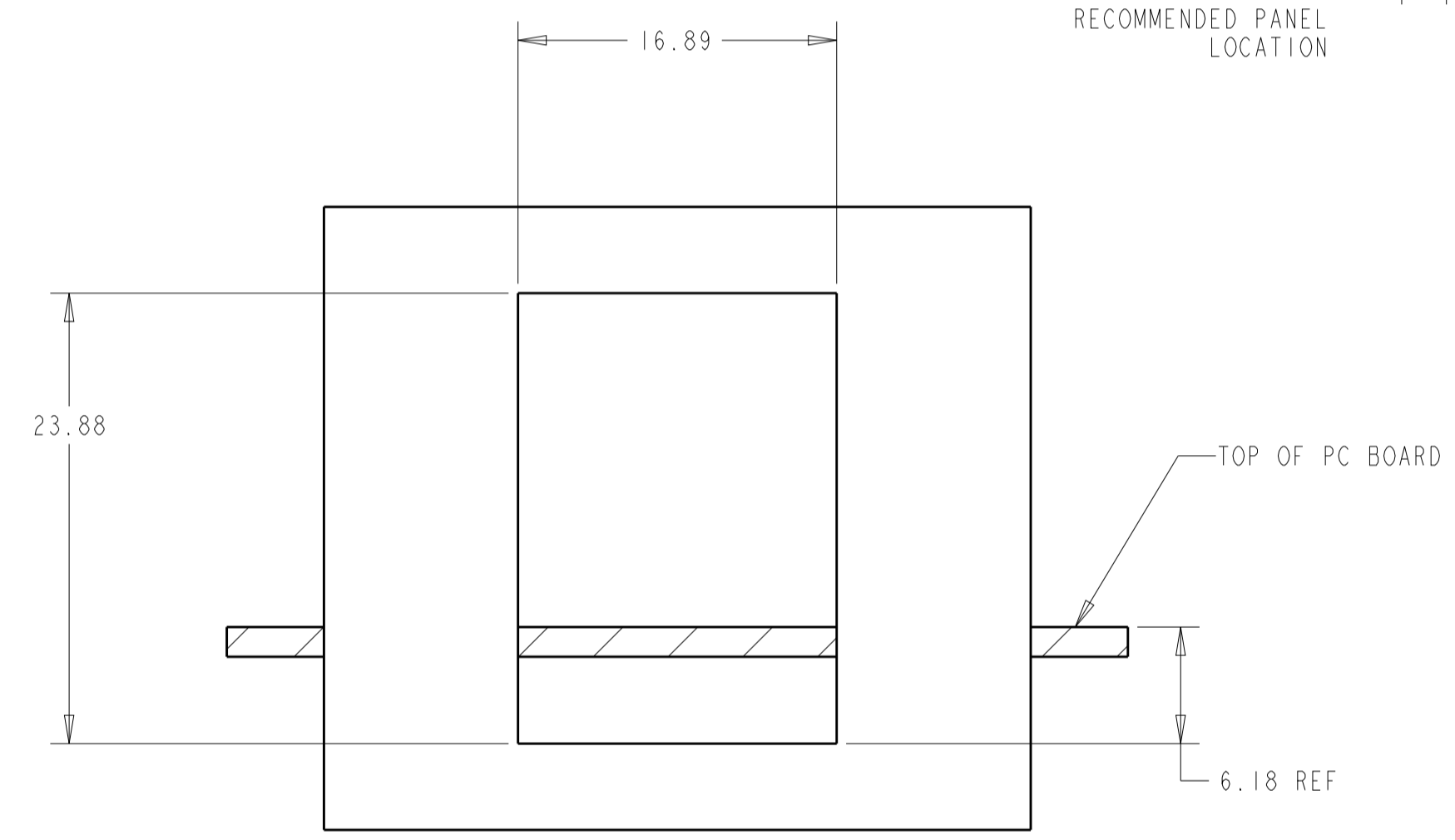


LOC	DIST	REVISIONS					
		P	LTN	DESCRIPTION	DATE	DWN	APVD
AA	00	F1		ECR-12-003298	13FEB2012	JJ	AC
		G		ECO-15-006810	29DEC2015	LL	SH



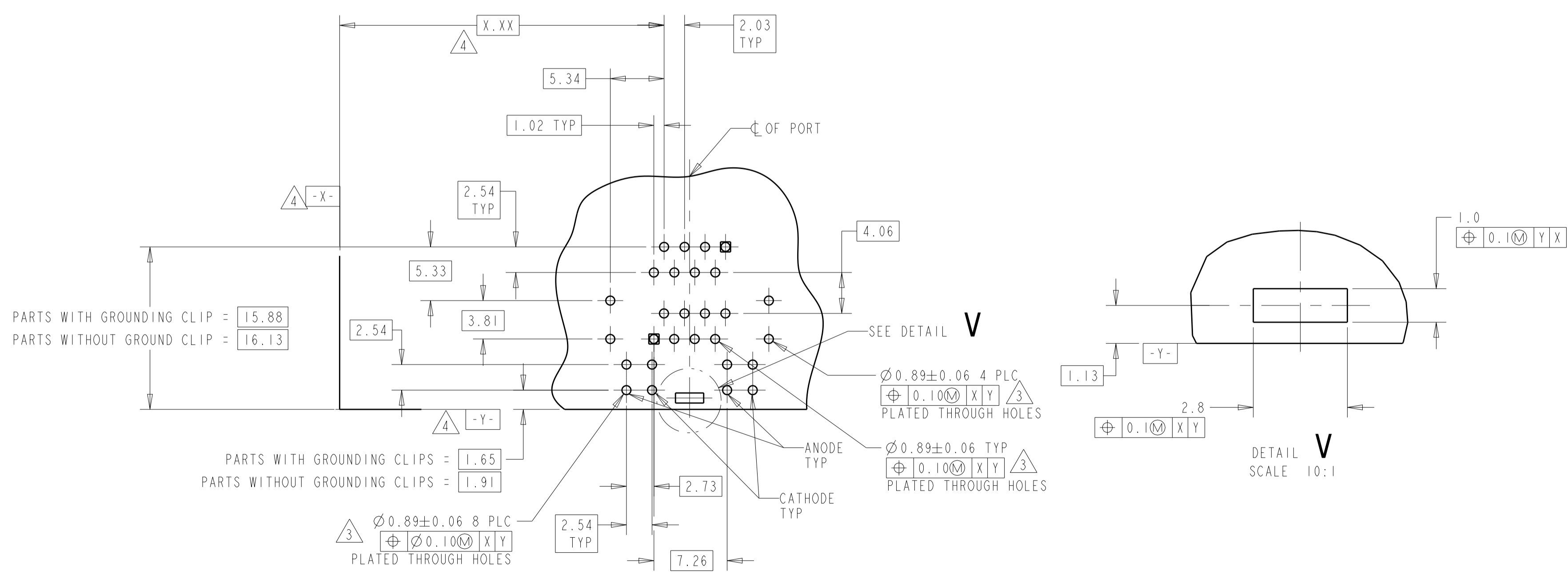
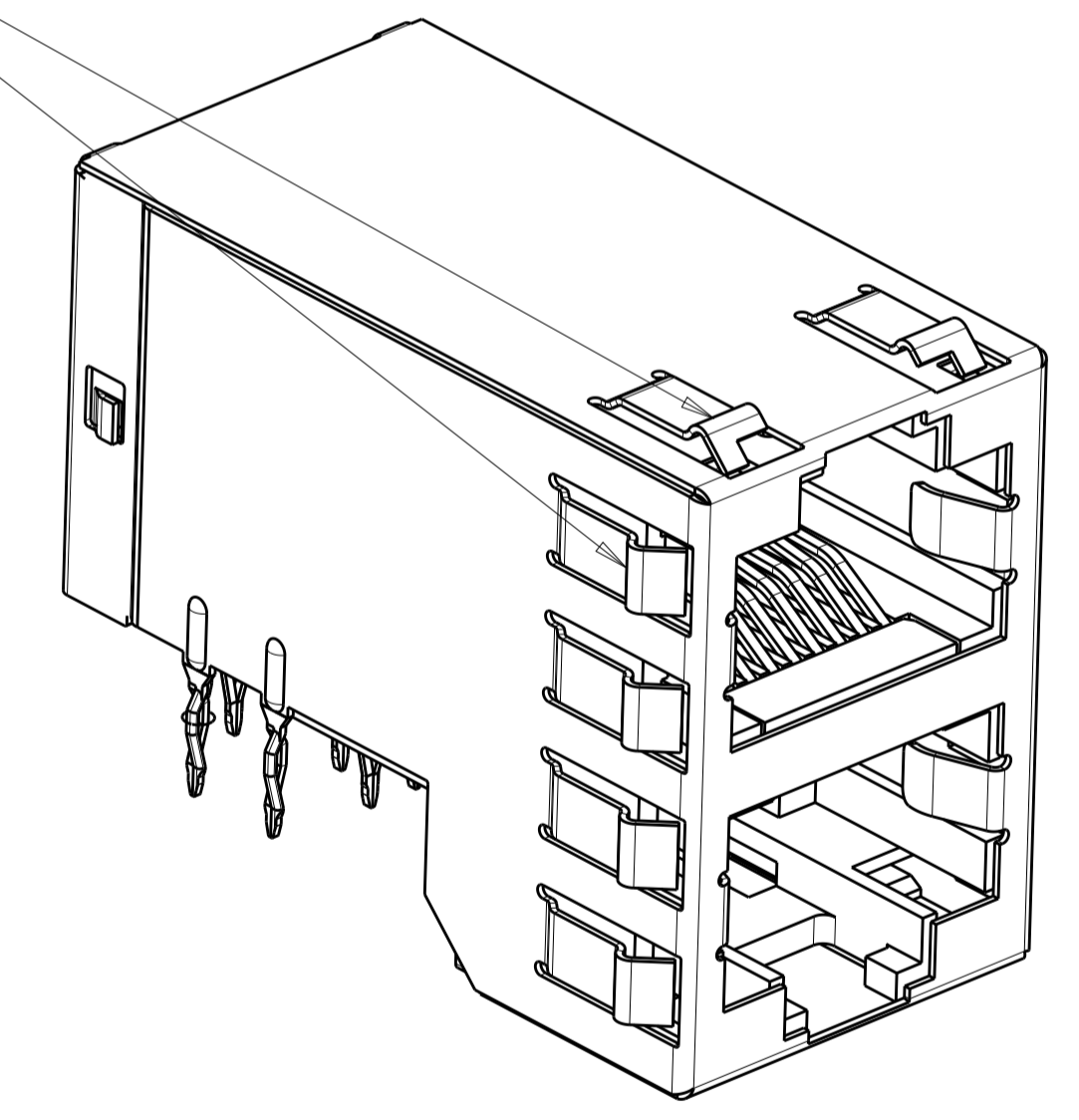
- MATERIAL:
HOUSING - PBT POLYESTER, BLACK, UL 94V-0
TERMINALS - 0.33 THICK PHOS BRONZE PLATED WITH 1.27um MINIMUM THICK HARD GOLD IN LOCALIZED AREA AND 2um MINIMUM THICK MATTE TIN IN ACTION PIN COMPLIANT PIN TERMINAL AREA OVER 1.27um MINIMUM THICK NICKEL UNDERPLATE
SHIELD - 0.25 THICK COPPER ALLOY PLATED WITH 2.03um MINIMUM BRIGHT TIN OVER 1.27um MINIMUM NICKEL
GROUNDING CLIP - 2.03 um MIN MATTE TIN OVER COPPER, PRE-PLATED COPPER ALLOY
LED - DIFFUSED EPOXY LENS 2.29 um SILVER OVER NICKEL PRE-PLATED CARBON STEEL LEADS
ACTION PIN - COMPLIANT PIN CONTACTS 0.3 THICK BRASS PLATED WITH 2um MINIMUM MATTE TIN OVER 1.27um MINIMUM NICKEL UNDERPLAT.
- JACK CAVITY CONFORMS TO FCC RULES AND REGULATIONS, PART 68 SUBPART F.
- DRILLED HOLE DIA = 1.020±0.025
COPPER THICKNESS = 0.025±0.075
TIN-LEAD THICKNESS = .008
- DATUMS AND BASIC DIMENSIONS ESTABLISHED BY CUSTOMER
- DATE CODE LOCATED ON REAR OF PART APPROXIMATELY AS SHOWN
- CONTACTS ARE NOT INTENDED TO BE ALIGNED WITH EACH OTHER
- OBsolete PARTS: OBSOLETE CIS STREAMLINING PER D.RENAUD/D.SINISI
- ONLY FOR 6368168-7, -8
CONTACT AREA LUBRICATED WITH BELLCORE APPROVED LUBRICANT TECHNICAL REFERENCE GR-1217-CORE ISSUE 1, NOVEMBER 1995.

6368168-1 SHOWN SHEET 1

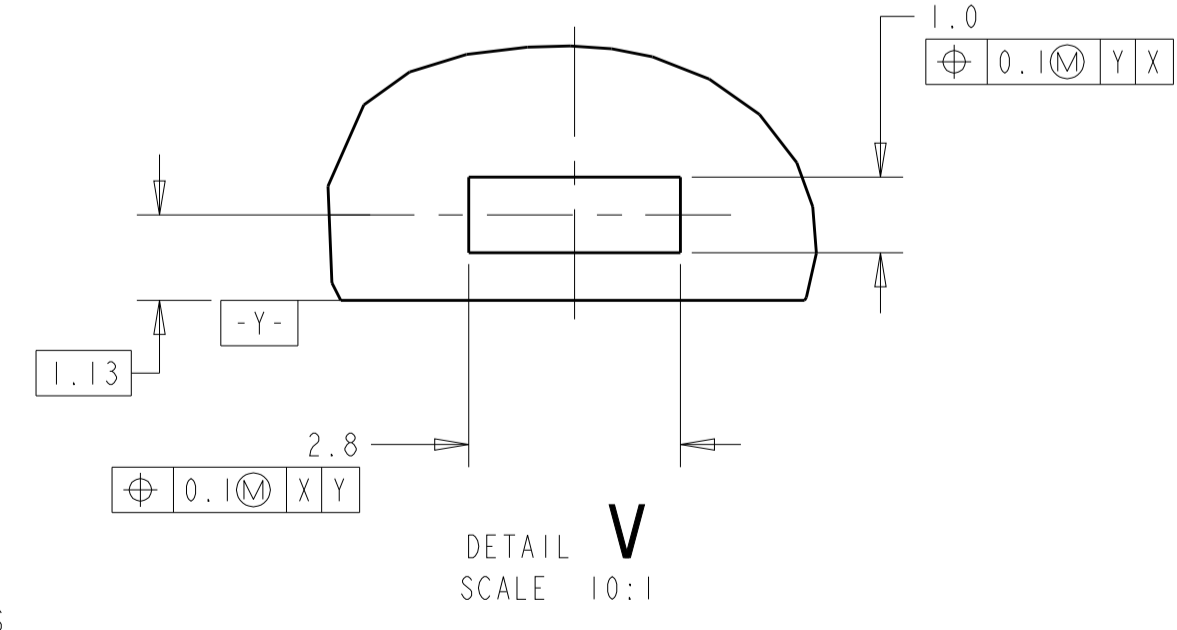


RECOMMENDED PANEL CUT-OUT

SHIELD WITH NO LED CUTOUTS AND STANDARD PANEL GROUNDS



PC BOARD LAYOUT (COMPONENT SIDE)



LED #4	LED #3	LED #2	LED #1	GROUNDING CLIP	SHIELD STYLE	PART NUMBER
N/A	N/A	N/A	N/A	NO	WITHOUT LED PORTS	6368168-8
GREEN	GREEN	GREEN	GREEN	NO	WITH LED PORTS	6368168-7
GREEN	GREEN	YELLOW	YELLOW	YES	WITH LED PORTS	6368168-6
GREEN	GREEN	GREEN	GREEN	YES	WITH LED PORTS	6368168-5
YELLOW	YELLOW	GREEN	GREEN	YES	WITH LED PORTS	6368168-4
N/A	N/A	N/A	N/A	YES	WITHOUT LED PORTS	6368168-2
N/A	N/A	N/A	N/A	NO	WITHOUT LED PORTS	6368168-1

THIS DRAWING IS A CONTROLLED DOCUMENT.

DIMENSIONS: mm

TOLERANCES UNLESS OTHERWISE SPECIFIED:

0 PLC	±
1 PLC	±
2 PLC	±0.1
3 PLC	±0.13
4 PLC	±
ANGLES	±

MATERIAL: SEE NOTE 1

FINISH: SEE NOTE 1

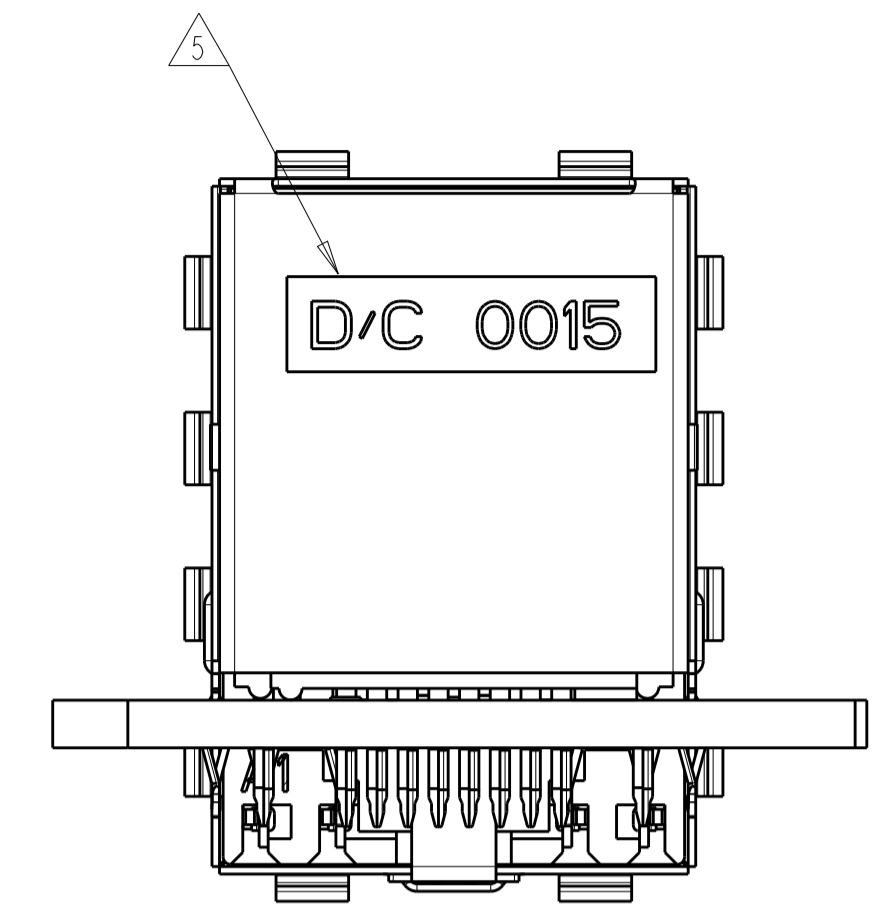
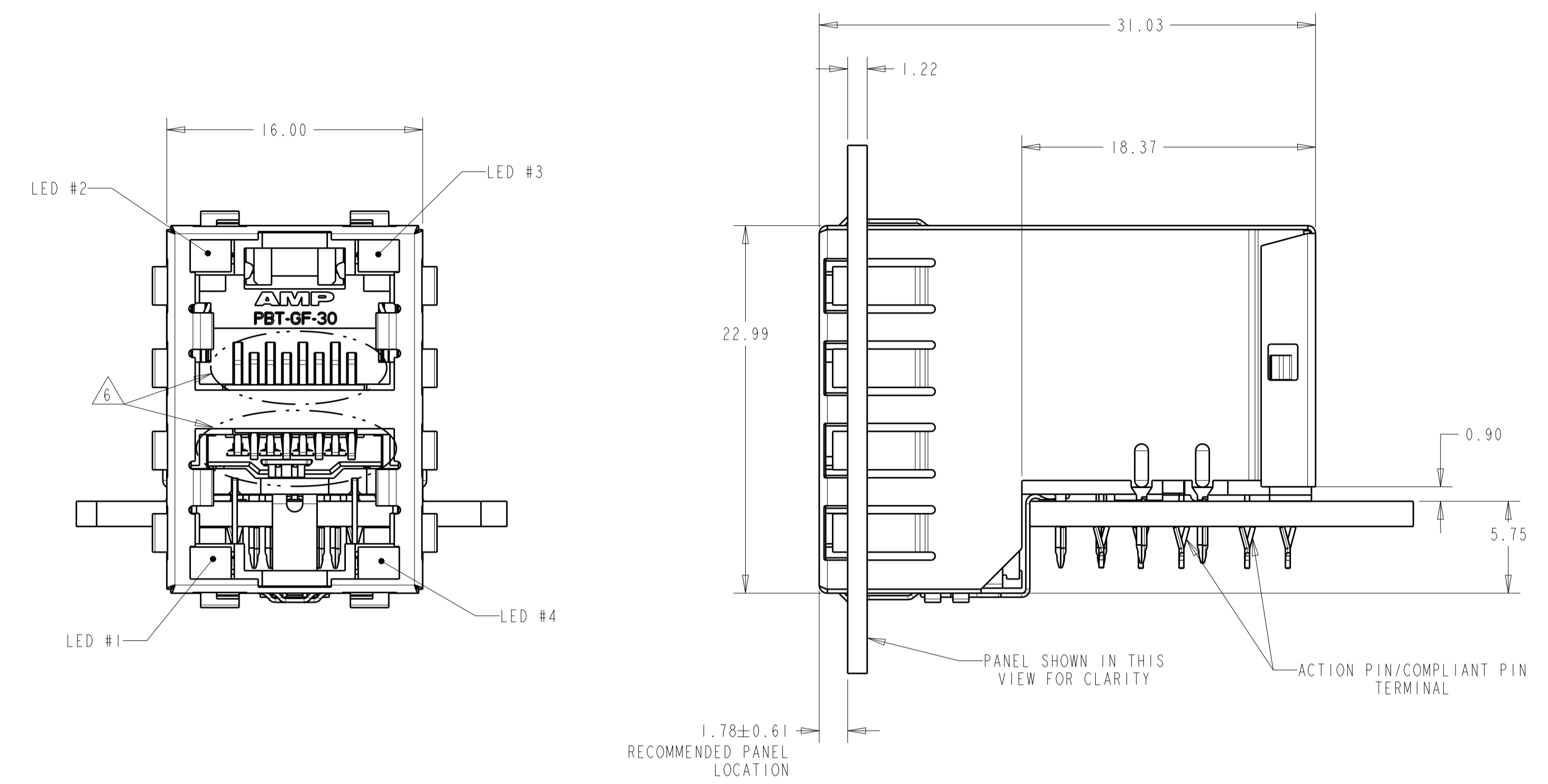
THIS DRAWING IS A CONTROLLED DOCUMENT. DWN: A. FERNANDEZ 28 JUL 2005, CHG: J. WESTMAN 28 JUL 2005, APVD: S. FLICKINGER 28 JUL 2005

NAME: STACKED MODULAR JACK ASSEMBLY, 2X1, 8 POSITION, SHIELDED PANEL GROUND, OFFSET, CAT 5

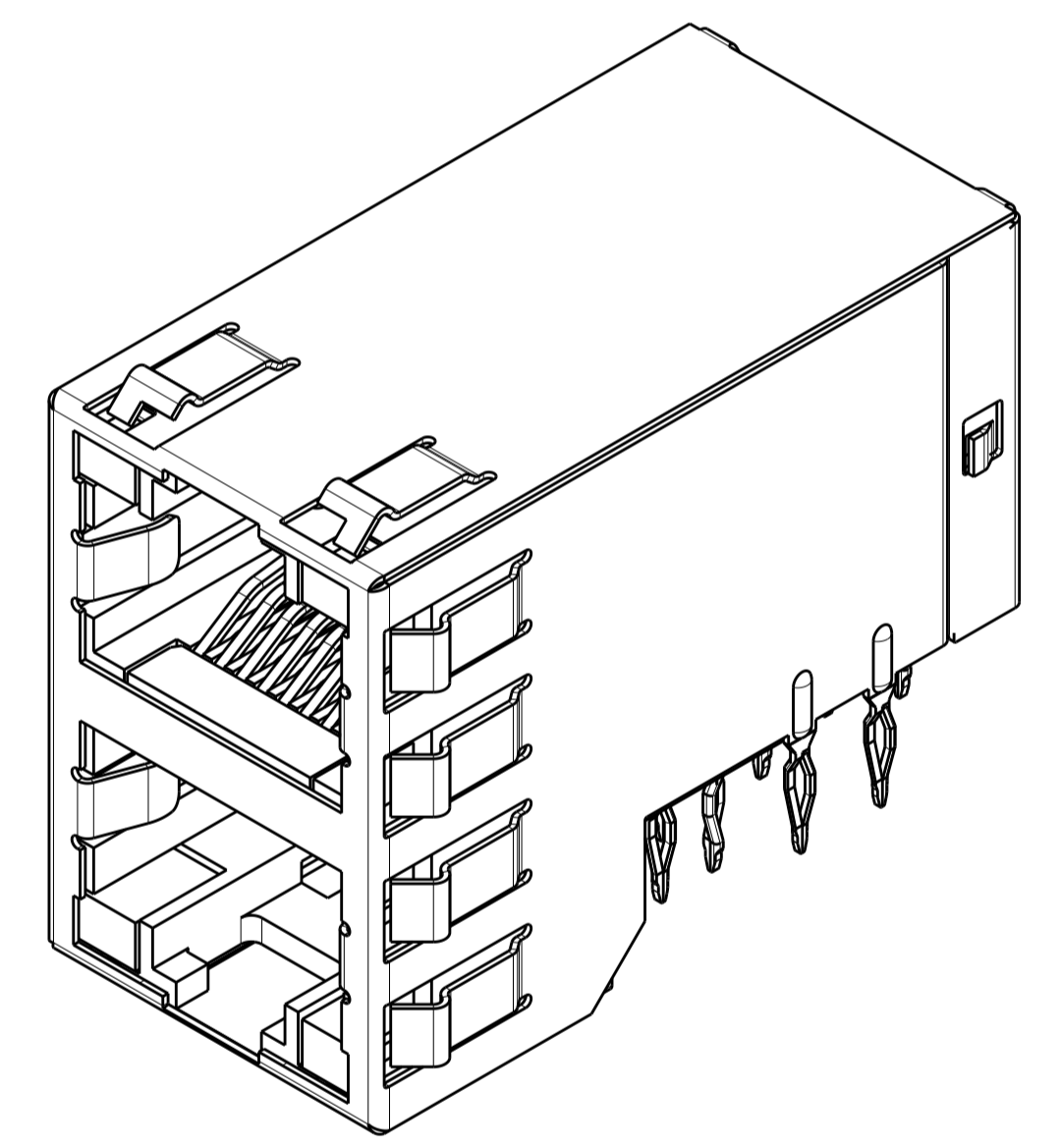
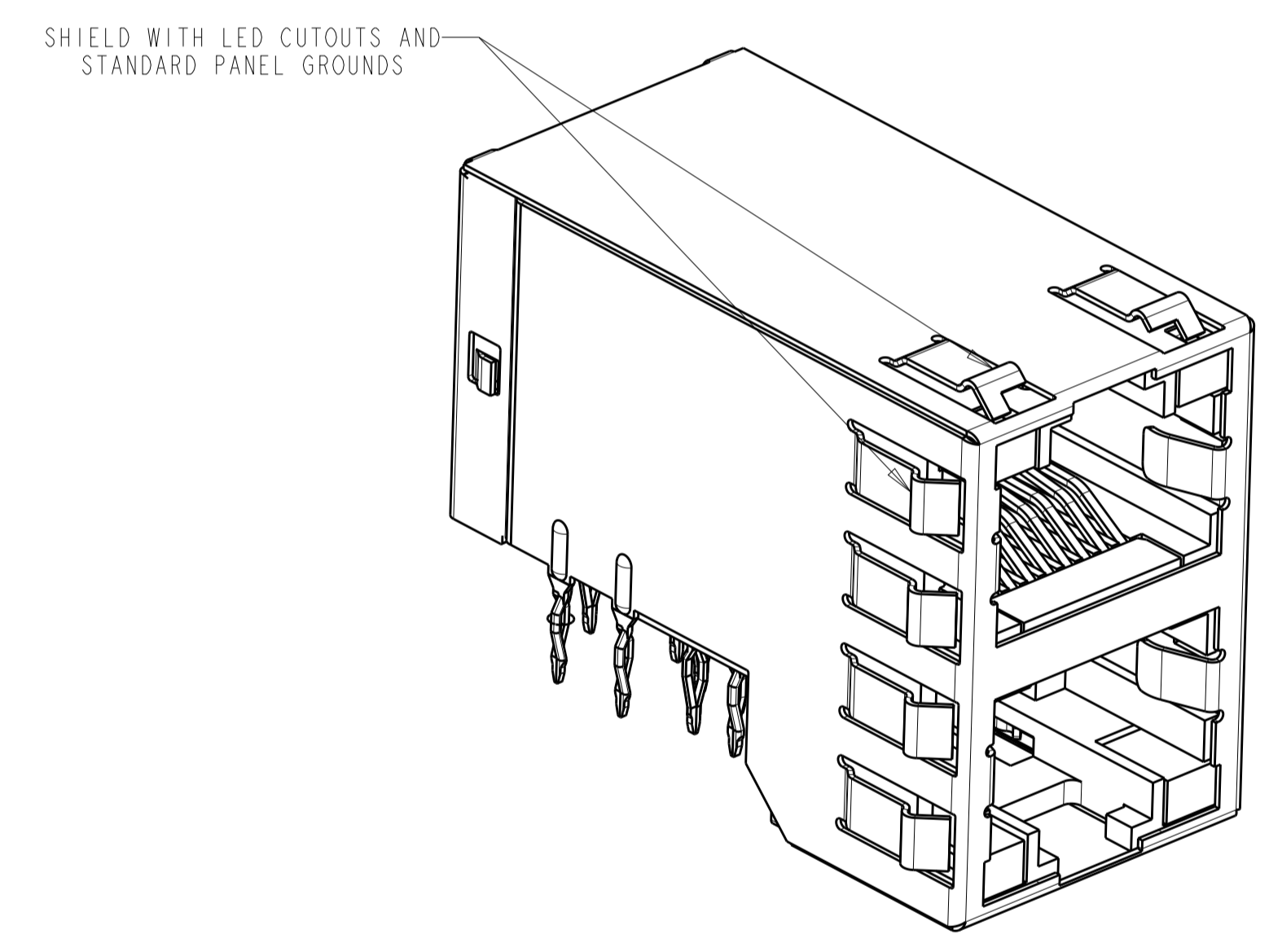
SIZE: 108-1854, APPLICATION SPEC: 114-2160, WEIGHT: -

SCALE: 3:1, SHEET 1 OF 2, REV G

LOC		DIST		REVISIONS			
AA	00	P	LTN	DESCRIPTION	DATE	OWN	APVD
		-		SEE SHEET 1			



6368168-6 SHOWN SHEET 2



THIS DRAWING IS A CONTROLLED DOCUMENT.		OWN: A. FERNANDEZ-DOCK 28 JUL 2005	
DIMENSIONS: mm		CHK: J. WESTMAN 28 JUL 2005	
TOLERANCES UNLESS OTHERWISE SPECIFIED:		APVD: S. FELICKINGER 28 JUL 2005	NAME: STACKED MODULAR JACK ASSEMBLY, 2X1, 8 POSITION, SHIELDED PANEL GROUND, OFFSET, CAT 5
0 PLC ±		PRODUCT SPEC: 108-1854	
1 PLC ±0.1		APPLICATION SPEC: 114-2160	SIZE: A1 CAGE CODE: 00779 DRAWING NO: 6368168
2 PLC ±0.13		WEIGHT: -	
3 PLC ±		FINISH: SEE NOTE 1	SCALE: 3:1 SHEET: 2 OF 2 REV: G
4 PLC ±		MATERIAL: SEE NOTE 1	
ANGLES ±		CUSTOMER DRAWING	