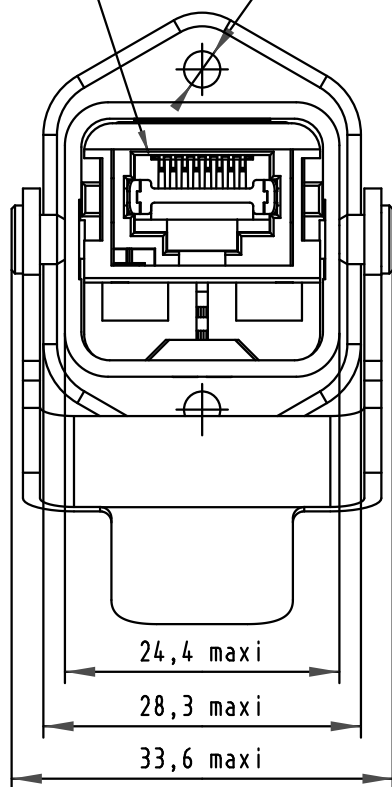


1 2 3 4 5 6

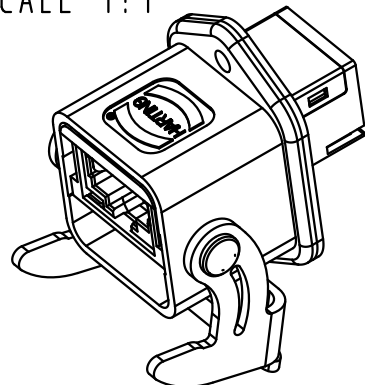
A
B
C
D

IEC 60603-7

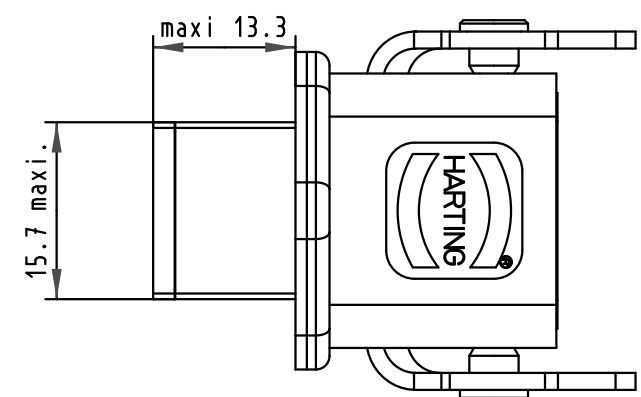
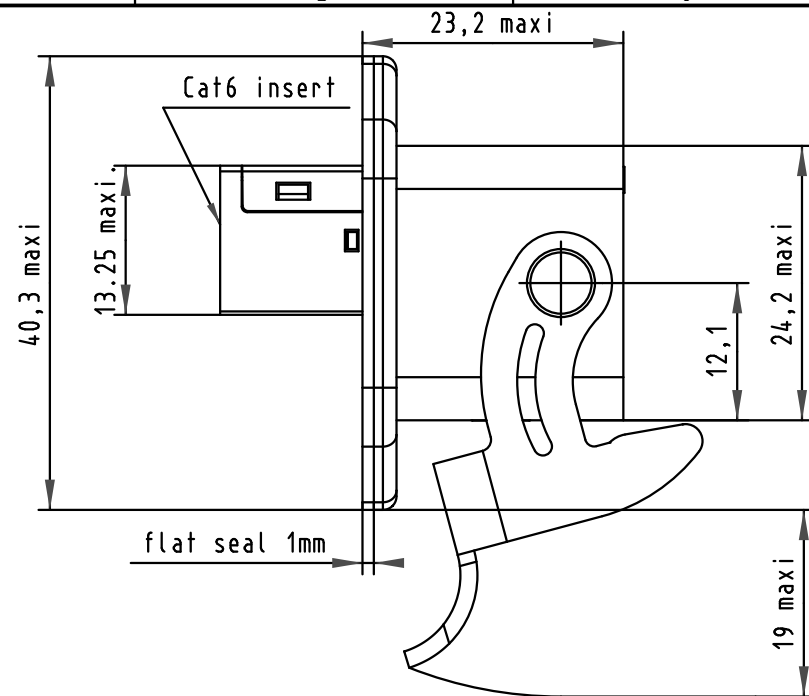
ø3,4 maxi



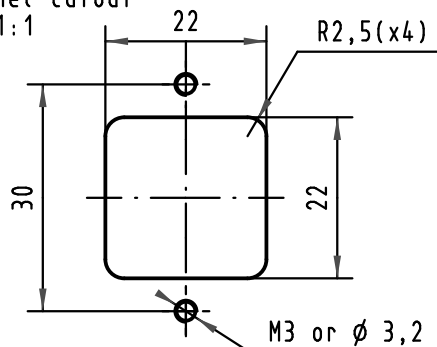
SCALE 1:1





compatible with
IEC 60076-3-106 variant 5
connectors pitches on panel
axis X = 36 mm
axis Y = 55 mm



recommended panel cutout
scale 1:1



			Dot.	Name	 All Dim. in mm Orig. Size DIN A 4	RJ Industrial metal Han 3A RJ45 panel feed through Cat.6	Maßstab/ Scale
		Detail.	25/05/10	AB			1,5:1
		Insp.					
		Stand.					
36075	25/05/10	AB	HARTING EURL F-95972 Paris			TB 09 45 215 1560	Blatt/ Page
Mod.	Dot.	Name					1 1
						Sub.	