

6

5

4

3

2

1

E

E

D

D

C

C

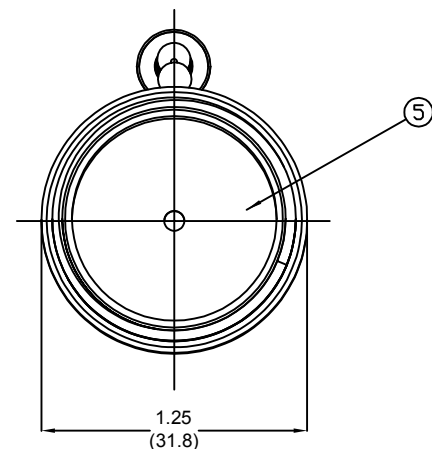
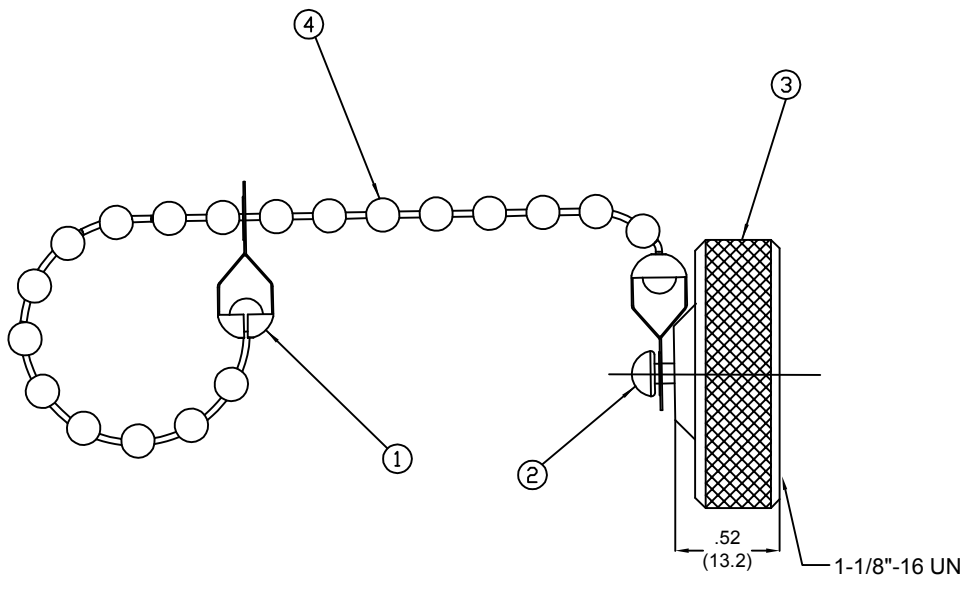
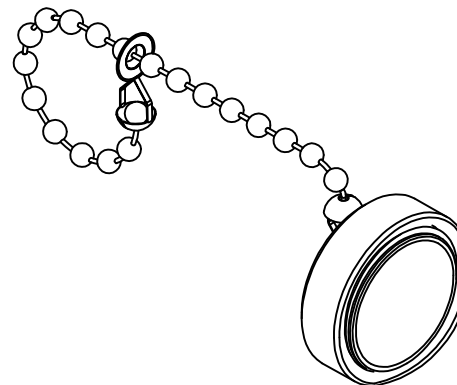
B

B

A

A

PART NUMBER	OLD PART NUMBER
1302011121	65-0105SS



-	COMPONENT	MATERIAL	FINISH
1	BEAD CHAIN FITTING (1/8IN.)	STEEL	NICKEL PLATED
2	.187 SCREW	STAINLESS STEEL	PASSIVATED
3	CLOSURE CAP	STAINLESS STEEL	PASSIVATED
4	BEAD CHAIN	STEEL	NICKEL PLATED
5	GASKET	NEOPRENE	BLACK

EC NO: WNA2010-0167	9/3/09
DRWN: BWOODMAN	
CHKD: -	
APPR: JFMURPHY	2009/09/11
REV	DESCRIPTION
B	

QUALITY SYMBOLS
▽=0
∇=0

GENERAL TOLERANCES (UNLESS SPECIFIED)		
	mm	INCH
4 PLACES	±---	±---
3 PLACES	±.005	±.010
2 PLACES	±.013	±.020
1 PLACE	±.025	±.050
ANGULAR ±1/2°		
DRAFT WHERE APPLICABLE MUST REMAIN WITHIN DIMENSIONS		

DIMENSION STYLE	
IN/MM	
DRAWN BY	DATE
TVICKERS	2009/08/21
CHECKED BY	DATE
B.WOODMA	2009/08/21
APPROVED BY	DATE
JFMURPHY	2009/09/11
MATERIAL NO.	
SEE CHART	
SIZE	
A	

SCALE	DESIGN UNITS	THIRD ANGLE PROJECTION
1:1	INCH	
TITLE		
CLOSURE CAP ASSEMBLY		
MATERIAL NO.		
SEE CHART		
DOCUMENT NO.		SHEET NO.
SD-130201-0235		1 OF 1

6

5

4

3

2

1