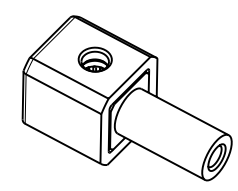
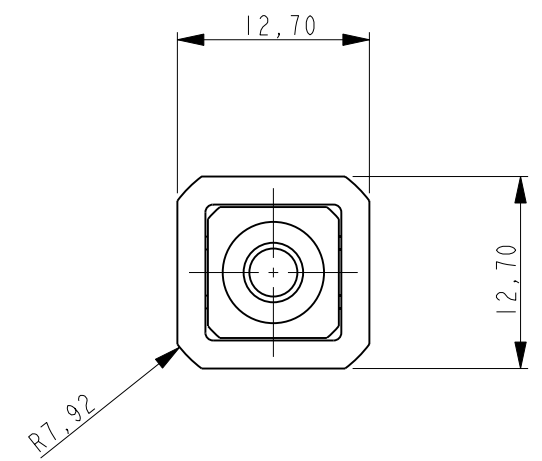
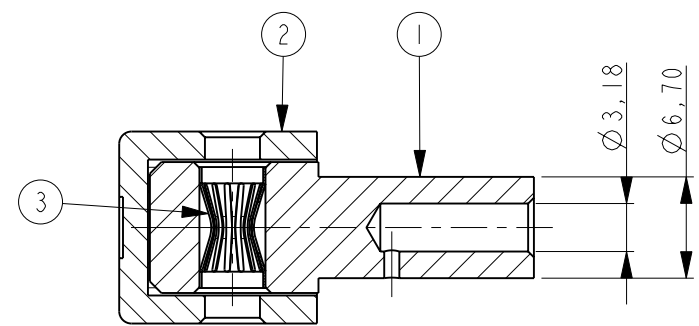
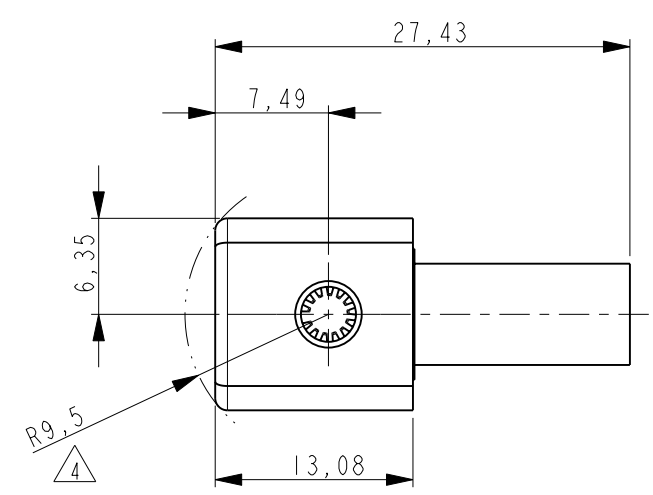


THIS DRAWING IS UNPUBLISHED. RELEASED FOR PUBLICATION 20  
 © COPYRIGHT 20 BY TYCO ELECTRONICS CORPORATION. ALL RIGHTS RESERVED.

LOC	DIST	REVISIONS			
P	LTR	DESCRIPTION	DATE	DWN	APVD
H	-	B	ECR-07-020010	25JUL2007	JV RL
		B1	REVISED PER ECO-09-027197	14DEC09	KK AEG

NOTES:

- 1 ITEMS PROVIDED TO THIS SPECIFICATION SHALL BE IDENTIFIED ON THE CONTAINER WITH THE FOLLOWING INFORMATION: PART NUMBER & DATE CODE OF MFR.
- 2 MATERIALS:  
 SOCKET BODY: TeCu  
 CROWN CONTACT: BeCu  
 HOUSING: THERMOPLASTIC, 94V-0, COLOR PER TABLE
- 3 FINISHES:  
 SOCKET BODY: SILVER PLATING: MIN. 5µm  
 OVER MIN. 1µm NICKEL.  
 CROWN CONTACT: GOLD PLATING: MIN. 0.75µm  
 OVER MIN. 1µm NICKEL.
- 4 ROTATION ARC.
- 5 FOR TERMINATION REFER TO 1926079-1
- 6 MAXIMUM CABLE DIAMETER NOT TO EXCEED 1/2"
- 7 OBSOLETE PARTS: OBSOLETE CIS STREAMLINING PER D.RENAUD/D.SINISI



SCALE 1:1

	6648237-3	BLUE
7 OBSOLETE	6648237-2	RED
	6648237-1	BLACK

3	CROWN, CONTACT, SIZE #8	1
2	HOUSING, CROWN SOCKET, SIZE #8	1
1	CONTACT SOCKET BODY, RIGHT ANGLE, SIZE #8	1
ITEM NO.	DESCRIPTION	QUANT.

<small>THIS DRAWING IS A CONTROLLED DOCUMENT FOR TYCO ELECTRONICS CORPORATION IT IS SUBJECT TO CHANGE AND THE CONTROLLING ENGINEERING ORGANIZATION SHOULD BE CONTACTED FOR THE LATEST REVISION.</small>		DWN J.VOS 25-Jul-07 CHK R.LOKKER 25-Jul-07 APVD J.BROEKSTEEG PRODUCT SPEC - APPLICATION SPEC - WEIGHT -	<b>Tyco Electronics</b> Tyco Electronics Corporation 's-Hertogenbosch, Nederland
DIMENSIONS: mm	TOLERANCES UNLESS OTHERWISE SPECIFIED: 0 PLC ±0,2 1 PLC ±0,1 2 PLC ±0,05 3 PLC ±0,025 4 PLC ±0,005 ANGLES ±2°	MATERIAL - FINISH -	NAME JUMPER, CROWN SOCKET, PIN SIZE #8 WITH #12 AWG CRIMP BARREL SIZE A3 CAGE CODE 00779 DRAWING NO C-6648237 RESTRICTED TO -

CUSTOMER DRAWING		SCALE 2:1	SHEET 1 OF 1	REV B1
------------------	--	-----------	--------------	--------