

4

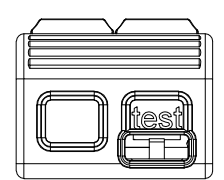
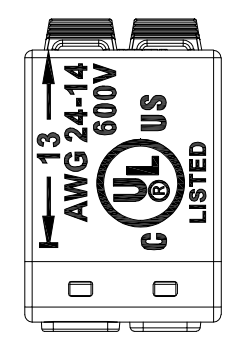
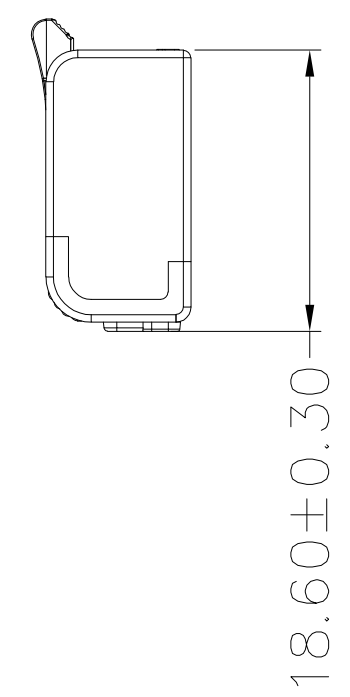
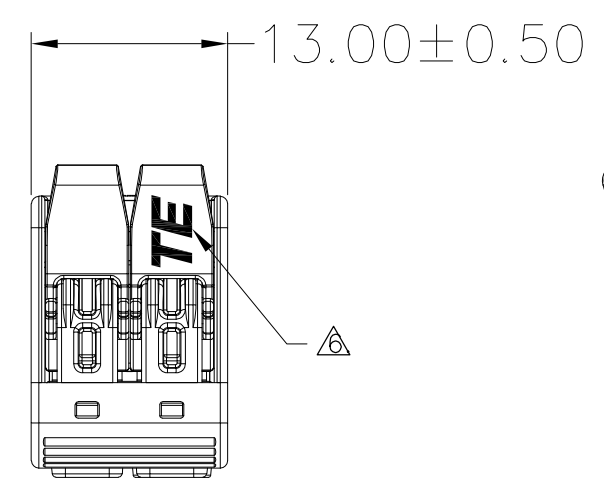
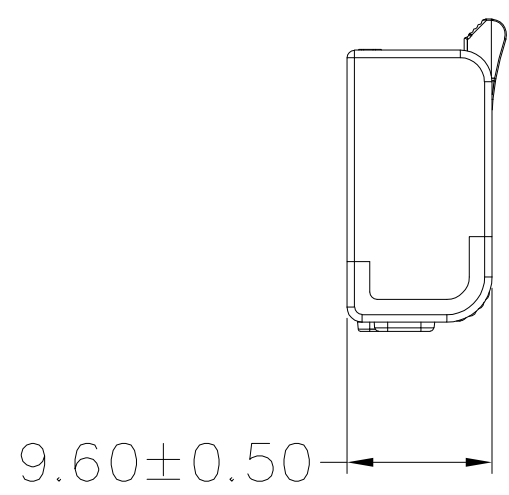
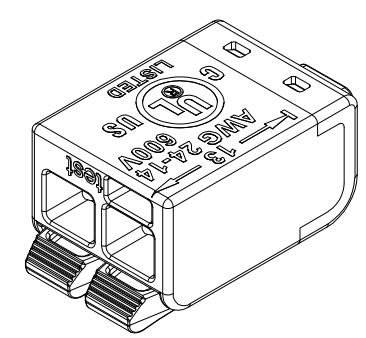
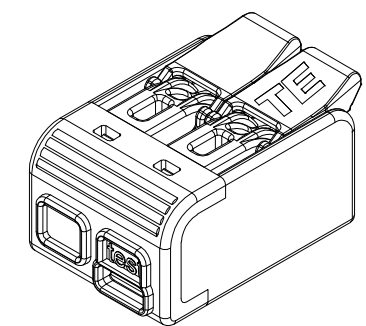
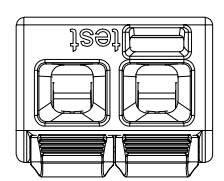
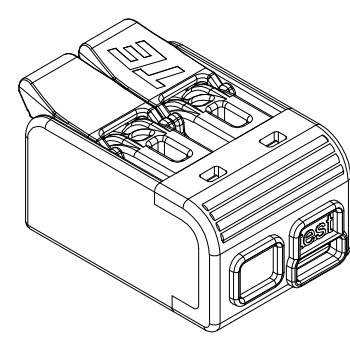
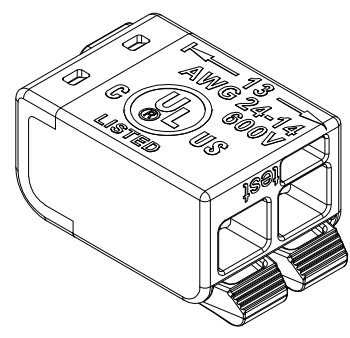
3

2

1


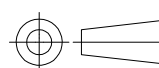
THIS DRAWING IS UNPUBLISHED. RELEASED FOR PUBLICATION
 © COPYRIGHT - By - ALL RIGHTS RESERVED.

REVISIONS					
P	LTR	DESCRIPTION	DATE	DWN	APVD
	A	INITIAL RELEASE	8FEB2017	Z.W	X.X
	B	ECR-17-009683	16JUN2017	Z.W	S.M



NOTE:
 1. PART NUMBER: SEE TABLE.
 2. MATERIAL:
 HOUSING: THERMALPLASTIC UL94-V2.
 CONTACT: BRASS & STAINLESS STEEL SPRING.
 3. FINISH
 TERMINAL: TIN PLATED BRASS.
 4. PACKAGING: PLASTIC BAG.
 5. APPLICABLE WIRE:
 VDE: 0.2-4.0MM² SOLID & STRAND WIRE.
 UL: 24-14AWG SOLID & STRAND WIRE.
 △ LOGO MARK APPROXIMATION LOCATION.

2-2834245-1	GREEN
PART NUMBER	PART COLOR

THIS DRAWING IS A CONTROLLED DOCUMENT.		DWN	ZHANG WEI	20FEB2017	 TE Connectivity			
DIMENSIONS:		CHK	SHI MING	20FEB2017				
mm		APVD	XU XIANG	20FEB2017				
		PRODUCT SPEC	108-137271					NAME
TOLERANCES UNLESS OTHERWISE SPECIFIED:		APPLICATION SPEC	114-137271		SIZE	CAGE CODE	DRAWING NO	RESTRICTED TO
0 PLC	± 1	WEIGHT	2.25g		A3	00779	C-2834245	-
1 PLC	± 1	CUSTOMER DRAWING		SCALE	2:1		SHEET	1 OF 4
2 PLC	± 1						REV	B
3 PLC	± 1							
4 PLC	± 1							
ANGLES	± 5							
MATERIAL	-							
FINISH	-							

THIS DRAWING IS UNPUBLISHED.

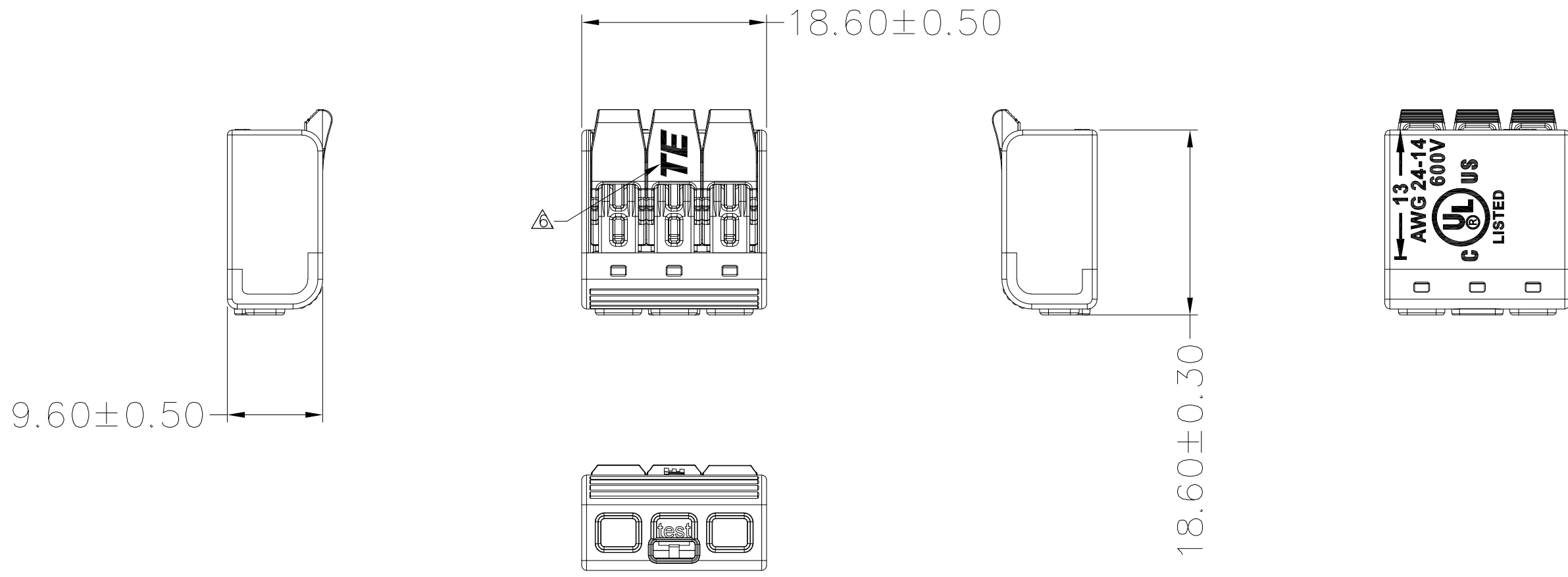
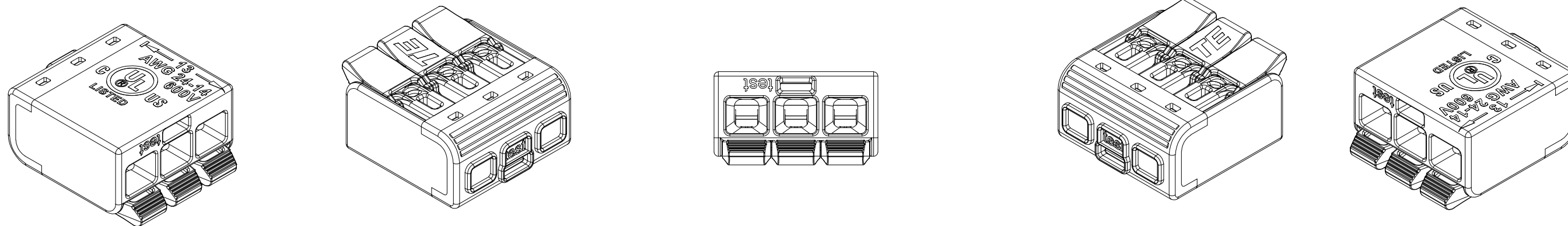
RELEASED FOR PUBLICATION

ALL RIGHTS RESERVED.

© COPYRIGHT - By -

REVISIONS

P	LTR	DESCRIPTION	DATE	DWN	APVD
-	-	SEE SHEET 1	-	-	-



NOTE:

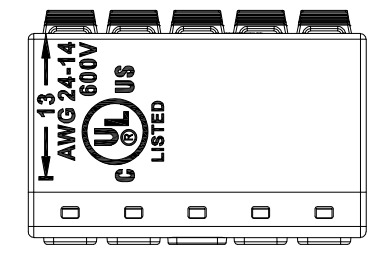
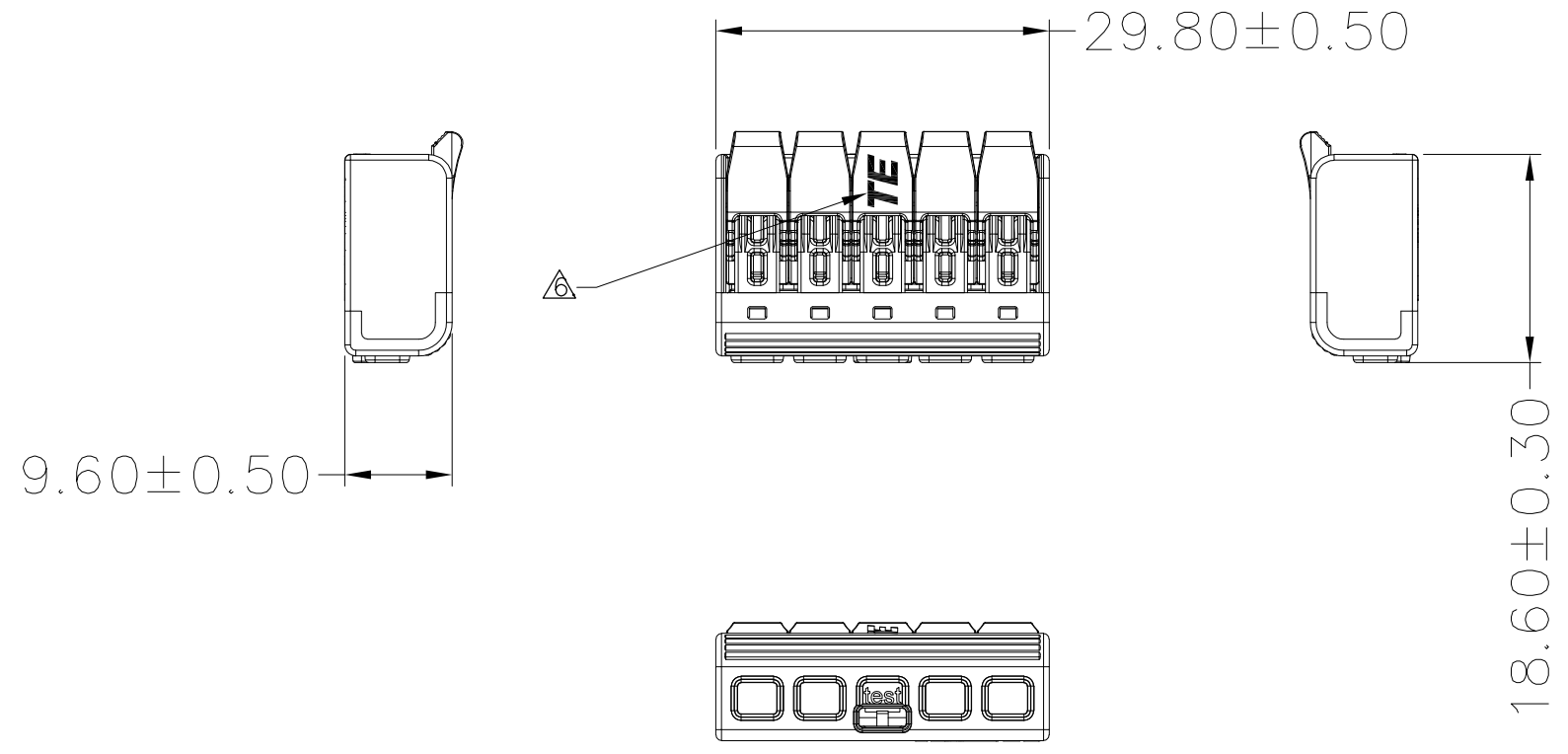
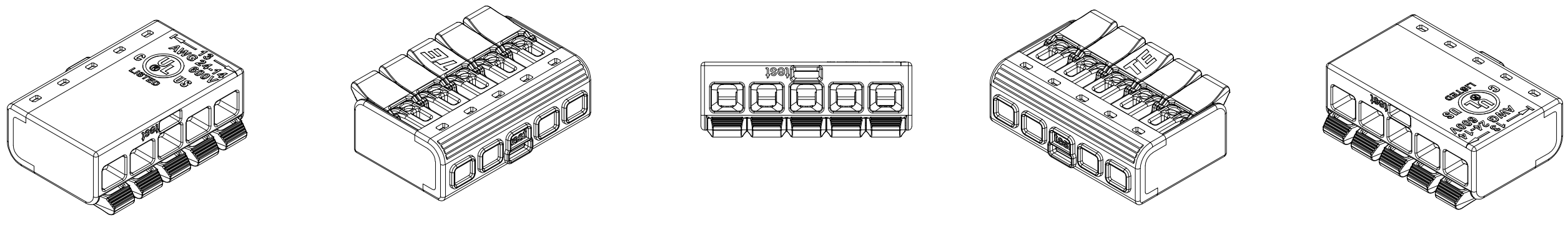
- PART NUMBER: SEE TABLE.
 - MATERIAL:
HOUSING: THERMALPLASTIC UL94-V2.
CONTACT: BRASS & STAINLESS STEEL SPRING.
 - FINISH
TERMINAL: TIN PLATED BRASS.
 - PACKAGING: PLASTIC BAG.
 - APPLICABLE WIRE:
VDE: 0.2-4.0MM² SOLID & STRAND WIRE.
UL: 24-14AWG SOLID & STRAND WIRE.
- △ LOGO MARK APPROXIMATION LOCATION.

3-2834245-1	GREEN
PART NUMBER	PART COLOR

THIS DRAWING IS A CONTROLLED DOCUMENT.		DWN	ZHANG WEI	20FEB2017	TE Connectivity NAME SPlicing WIRE CONNECTOR			RESTRICTED TO			
DIMENSIONS: mm 		CHK	SHI MING	20FEB2017				-		-	
		APVD	XU XIANG	20FEB2017				-		-	
TOLERANCES UNLESS OTHERWISE SPECIFIED:		PRODUCT SPEC		108-137271				-		-	
MATERIAL		FINISH		APPLICATION SPEC		114-137271		SIZE	CAGE CODE	DRAWING NO	RESTRICTED TO
-		-		WEIGHT		3.28g		A3	00779	C-2834245	-
CUSTOMER DRAWING						SCALE	2:1	SHEET	2 OF 4	REV	B

THIS DRAWING IS UNPUBLISHED. RELEASED FOR PUBLICATION
 © COPYRIGHT - By - ALL RIGHTS RESERVED.

REVISIONS					
P	LTR	DESCRIPTION	DATE	DWN	APVD
-	-	SEE SHEET 1	-	-	-



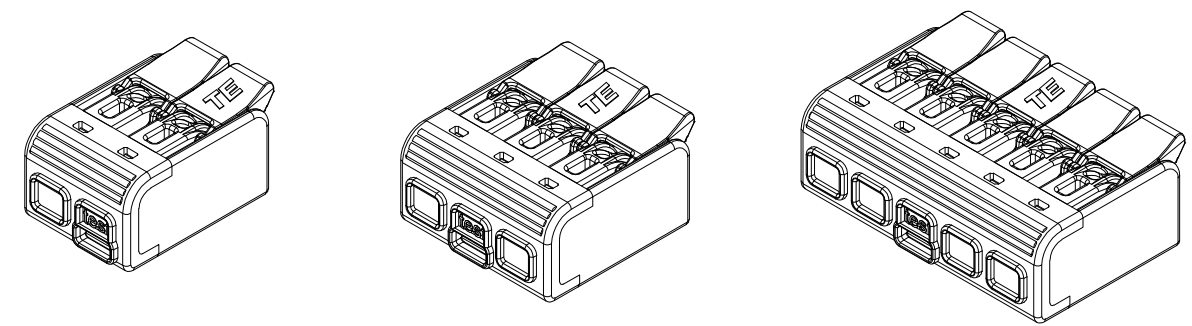
- NOTE:
- PART NUMBER: SEE TABLE.
 - MATERIAL:
HOUSING: THERMALPLASTIC UL94-V2.
CONTACT: BRASS & STAINLESS STEEL SPRING.
 - FINISH
TERMINAL: TIN PLATED BRASS.
 - PACKAGING: PLASTIC BAG.
 - APPLICABLE WIRE:
VDE: 0.2-4.0MM² SOLID & STRAND WIRE.
UL: 24-14AWG SOLID & STRAND WIRE.
- △ LOGO MARK APPROXIMATION LOCATION.

5-2834245-1	GREEN
PART NUMBER	PART COLOR

THIS DRAWING IS A CONTROLLED DOCUMENT.		DWN	ZHANG WEI	20FEB2017	 TE Connectivity NAME SPLICING WIRE CONNECTOR
DIMENSIONS: mm 		CHK	SHI MING	20FEB2017	
		APVD	XU XIANG	20FEB2017	
TOLERANCES UNLESS OTHERWISE SPECIFIED: 0 PLC ± 1 1 PLC ± 1 2 PLC ± 1 3 PLC ± 1 4 PLC ± 1 ANGLES ± 5		PRODUCT SPEC	108-137271		
MATERIAL		APPLICATION SPEC	114-137271		SIZE
		FINISH			CAGE CODE
			WEIGHT 5.22g		DRAWING NO
			CUSTOMER DRAWING		RESTRICTED TO
			SCALE 2:1		SHEET 3 OF 4
			REV B		

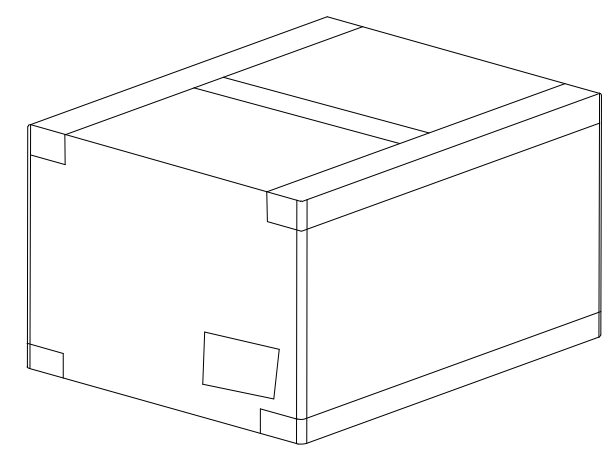
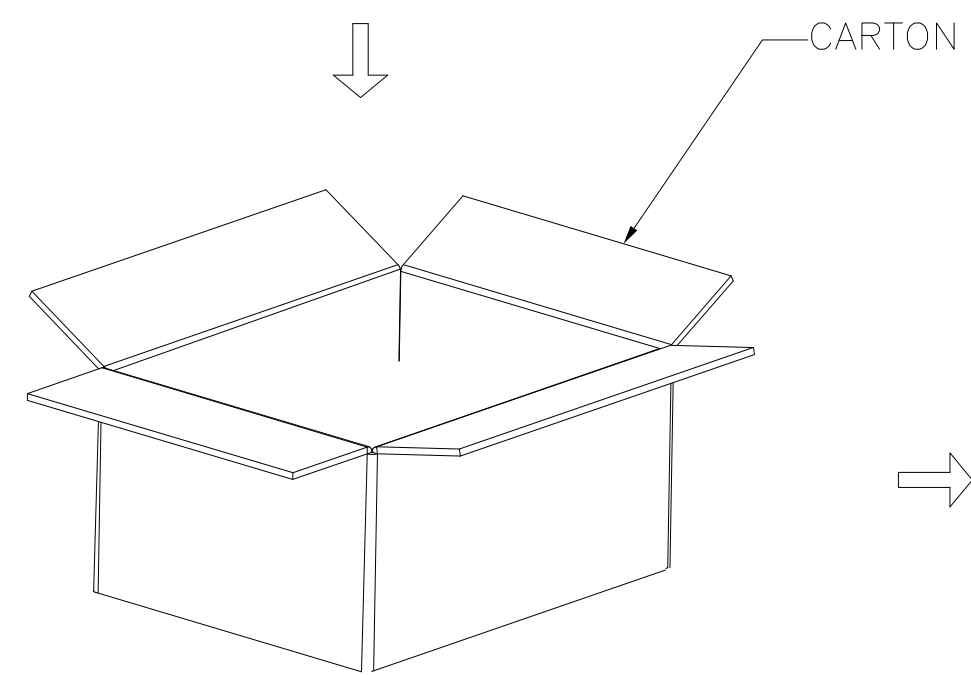
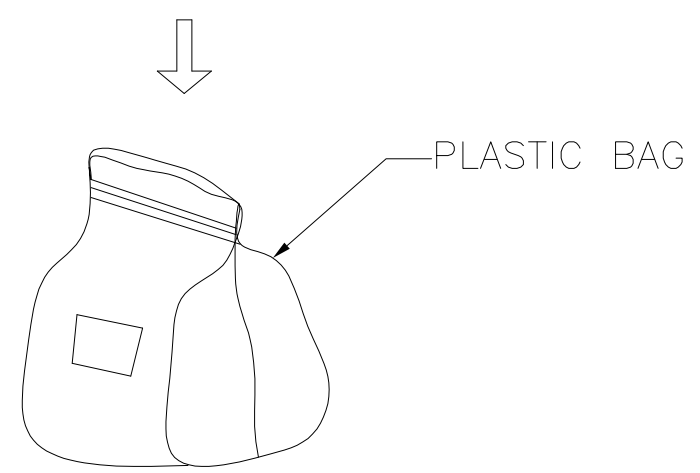
THIS DRAWING IS UNPUBLISHED. RELEASED FOR PUBLICATION
 © COPYRIGHT - By - ALL RIGHTS RESERVED.


REVISIONS					
P	LTR	DESCRIPTION	DATE	DWN	APVD
-	-	SEE SHEET 1	-	-	-



NOTE:
 1.PACKAGING QUANTITY: SEE TABLE.
 2.PACKAGING SPEC: 107-137271.

PART NUMBER	PAIRS PER BAG	BAGS PER CARTON	PAIRS PER CARTON
2-2834245-1	200	20	4000
3-2834245-1	150	20	3000
5-2834245-1	100	20	2000



THIS DRAWING IS A CONTROLLED DOCUMENT.		DWN ZHANG WEI 20FEB2017	 TE Connectivity			
DIMENSIONS: mm		CHK SHI MING 20FEB2017				NAME
TOLERANCES UNLESS OTHERWISE SPECIFIED:		APVD XU XIANG 20FEB2017	SPlicing WIRE CONNECTOR			
0 PLC ± 1 1 PLC ± 1 2 PLC ± 1 3 PLC ± 1 4 PLC ± 1 ANGLES ± 5		PRODUCT SPEC 108-137271	-			
MATERIAL		APPLICATION SPEC 114-137271	SIZE	CAGE CODE	DRAWING NO	RESTRICTED TO
FINISH		WEIGHT	A3	00779	C-2834245	-
CUSTOMER DRAWING			SCALE	SHEET	REV	
			-	4 OF 4	B	