

Series **D xx P 24A 6 xx 09 LF**

Number of contacts
09 , 15 , 25 , 37 , 50

Contacts
P : Pin

Plating
6 = 500 Mating / Unmating Mini

Packaging specification
Tray

See Note RoHS

Termination

Code	Type	Foot Print/Pitch	Length of termination	PCB thickness
24A	Straight version	6 / 2.84mm	2	1.6

NOTE RoHS INFORMATION

- The "LF" product meet european union Directives and other country regulations asdescribed in GS-22-008.
- The housing will whistand exposure to 260^o peak temperature for 30 seconds in a convection , infra-red or vapor reflow oven. See application notes/procedures if are available.
- Termination plating spec:1.27 μ Nickel mini,2.5 to 7.5 μ Sn(pure mate)
- Shell plating :Nickel bright
- Accessories : Sn pure bright
- Packaging spec ; See GS-14-920

Mounting Options

RL	Insert M3
RV	Female Screw UNC 4-40
RX	Insert UNC 4-40



Copyright FCI.

Product Specification

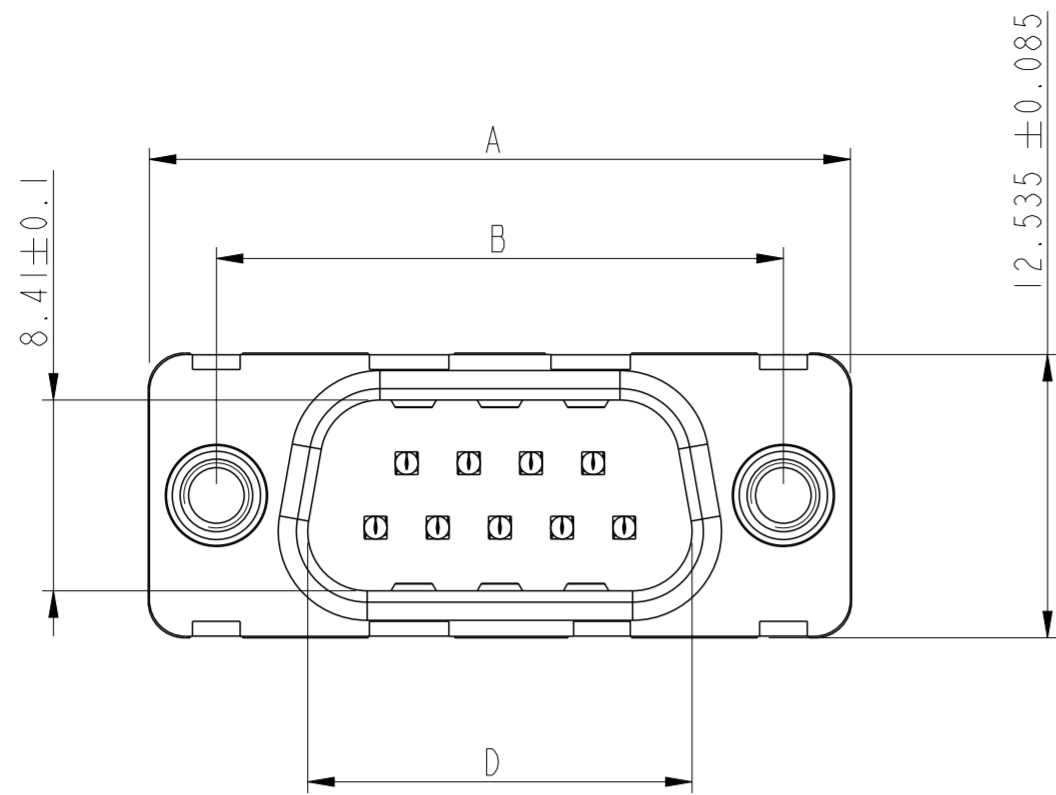
see : GS-12-372

Packaging Specification

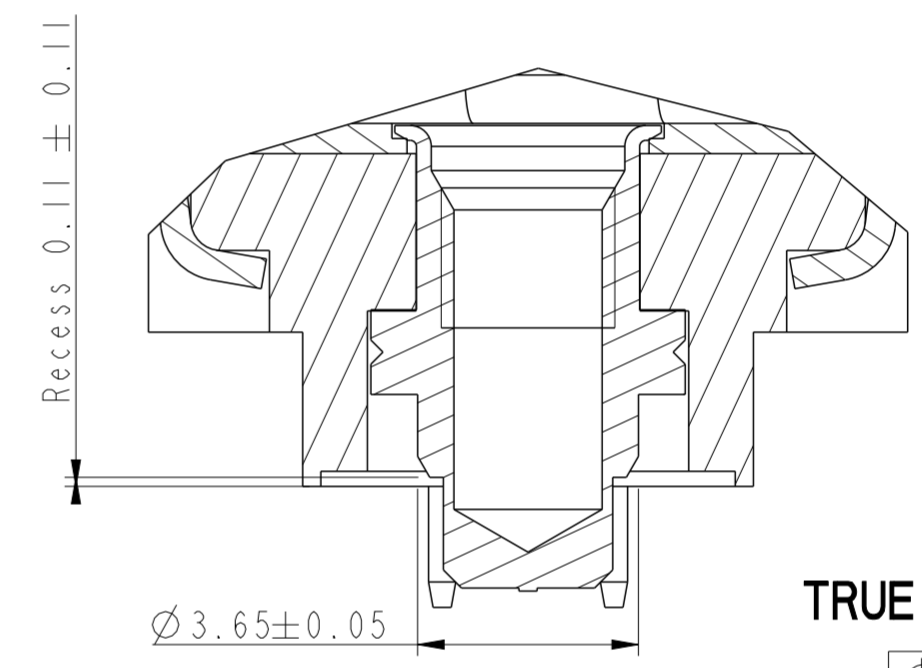
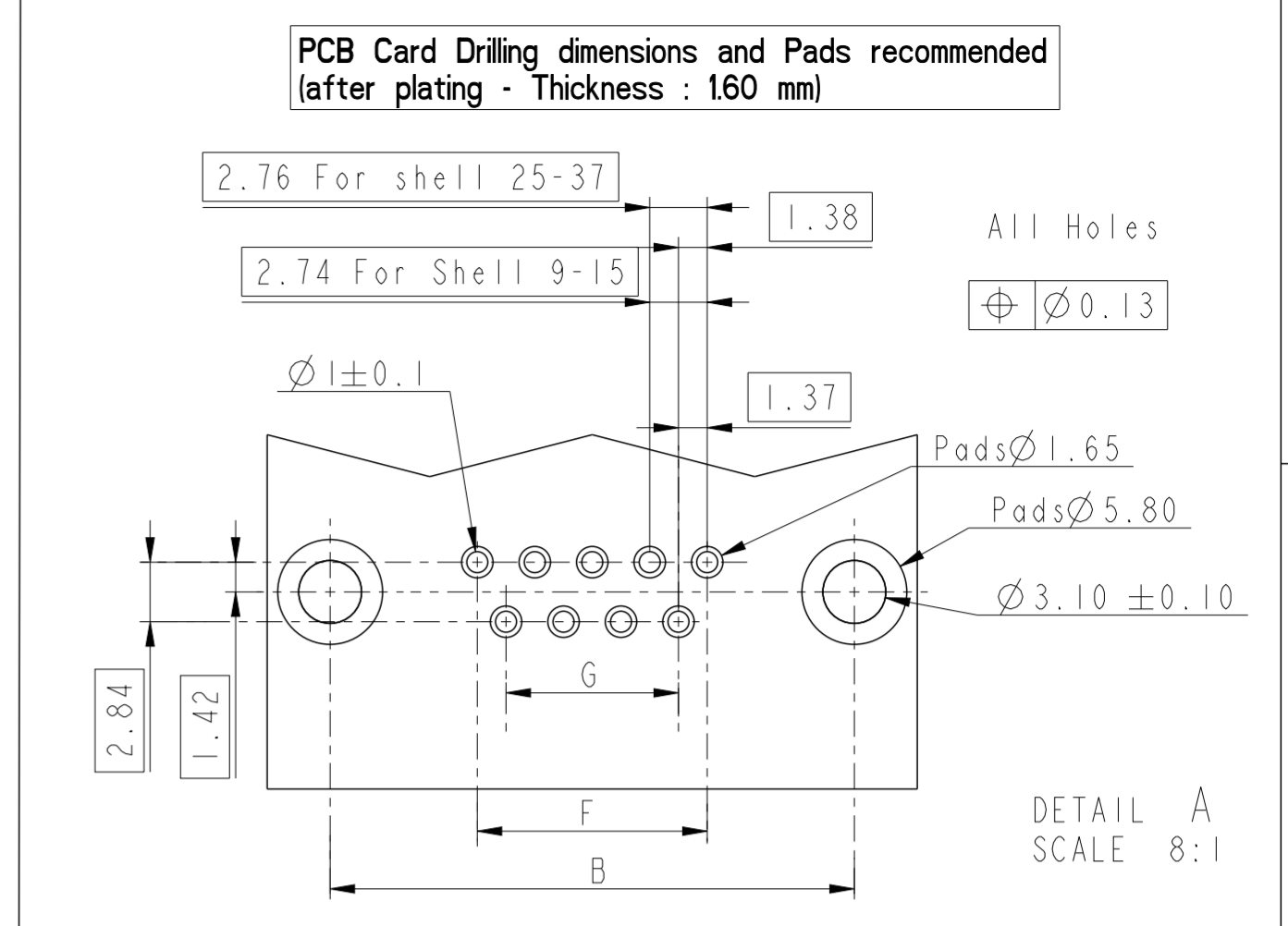
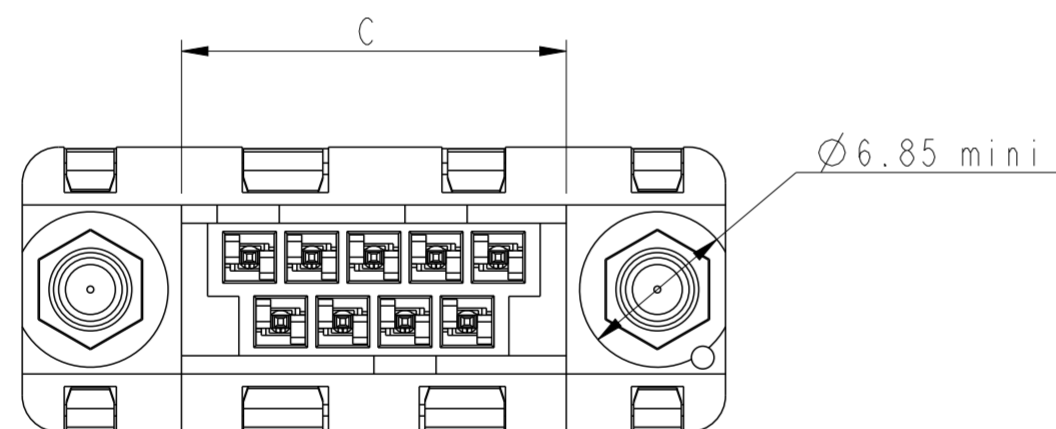
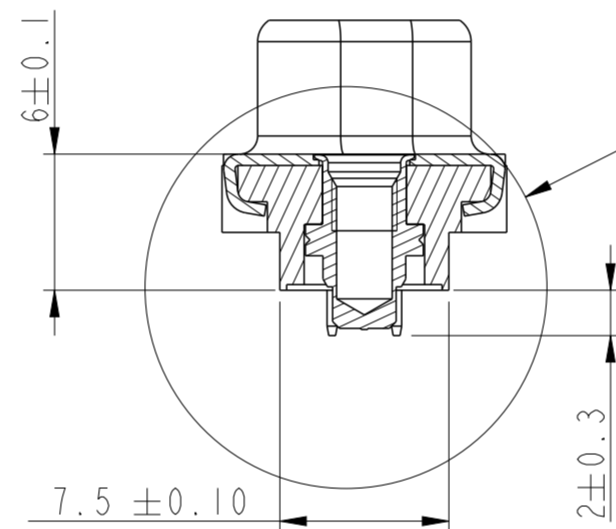
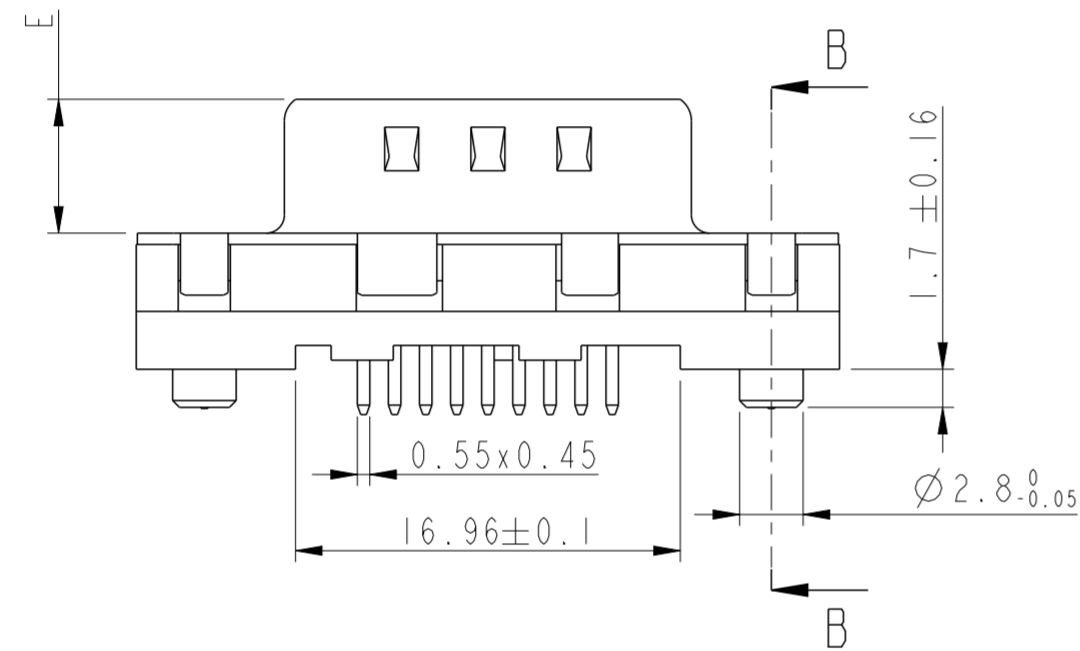
See GS-14-1061

ltr	ecn no	dr	date
A	-	HL	03/02/06
B	LS06-0040	PCR	23/03/06
C	LS06-0105	HLE	25/07/06
D	LS06-0220	PCR	2006/12/21
E	LS07-0050	HLE	2007/03/02
F	110-0120	NG	2010-05-27
G	110-0197	NG	2010-10-14

www.fciconnect.com		surface - <input checked="" type="checkbox"/> <input type="checkbox"/>	tolerance std	projection	mm
		ISO 1302	ISO 406 ISO 1101		
TOLERANCES UNLESS OTHERWISE SPECIFIED					
Dr	P. CRON	03/02/06	ANGULAR	0.X	± 0.3
Eng	H. LEGALLIC	03/02/06	LINEAR	0.XX	± 0.1
Chr	NIRMAL G	2010-10-14	0° $\pm 2^\circ$	0.XXX	± 0.05
Appr	SUDHIR V	2010-10-14	Product family	SUB DELTA D PIP	Spec ref -
			FCI	title	Sub DELTA D PIP MALE
				straight for tray	
			catalog no	SEE TABLE	CUSTOMER COPY
				dwg no	C01-8646-0878
				Rev.	G
				sheet 1 of 3	



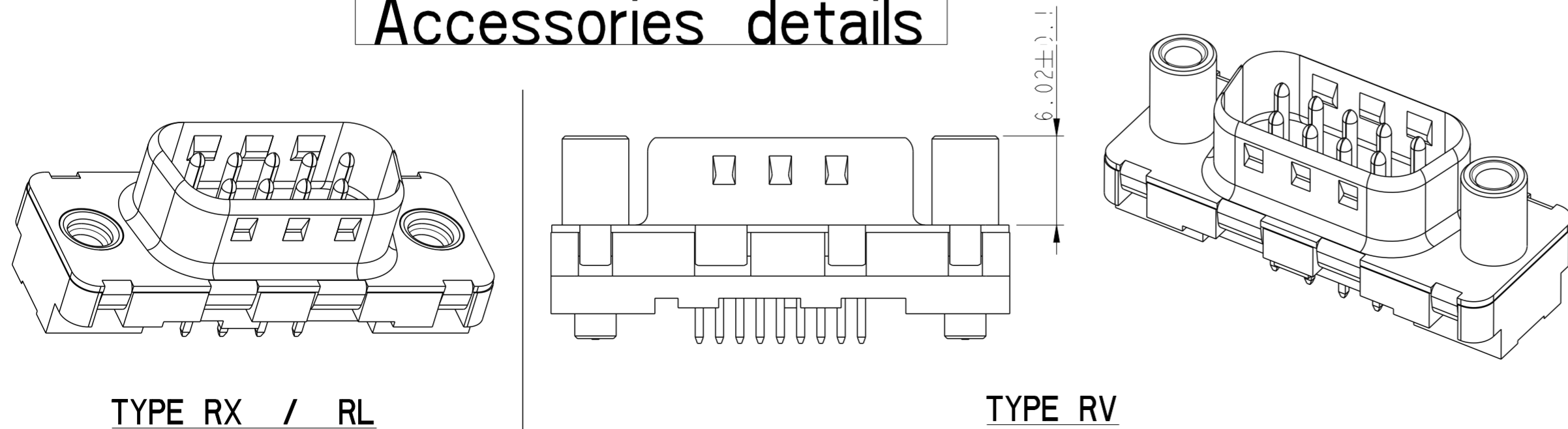
SECTION B-B



SHELL	P/N LEAD FREE	A ±0.38	B ±0.10	C ±0.10	D +0.25 0	E +0.15 0	F	G
09	D09P24A6xx09LF	30.81	24.99	16.96	16.79	5.9	10.96	8.22
15	D15P24A6xx09LF	39.14	33.32	25.18	25.12	5.9	19.18	16.44
25	D25P24A6xx09LF	53.03	47.04	39.12	38.84	5.7	33.12	30.36
37	D37P24A6xx09LF	69.32	63.50	55.68	55.30	5.7	49.68	46.92

FOR xx SEE SHEET 1

Accessories details



www.fciconnect.com		surface	tolerance std	projection	mm
		ISO 1302	ISO 406 ISO 1101	⊕	↔
TOLERANCES UNLESS OTHERWISE SPECIFIED					
Dr	P. CRON	03/02/06	ANGULAR	0.x	±0.3
Eng	H. LEGALLIC	03/02/06	LINEAR	0.xx	±0.1
Chr	NIRMAL G	2010-10-14	0° ±2°	0.xxx	±0.05
Appr	SUDHIR V	2010-10-14	Product family	SUB DELTA D PIP	Spec ref
FCJ				title	Rev.
				SUB DELTA D PIP MALE	C01-8646-0878
				straight for tray	G
				catalog no	SEE TABLE
				CUSTOMER COPY	sheet 2 of 3

1

2

3

4

A

B

C

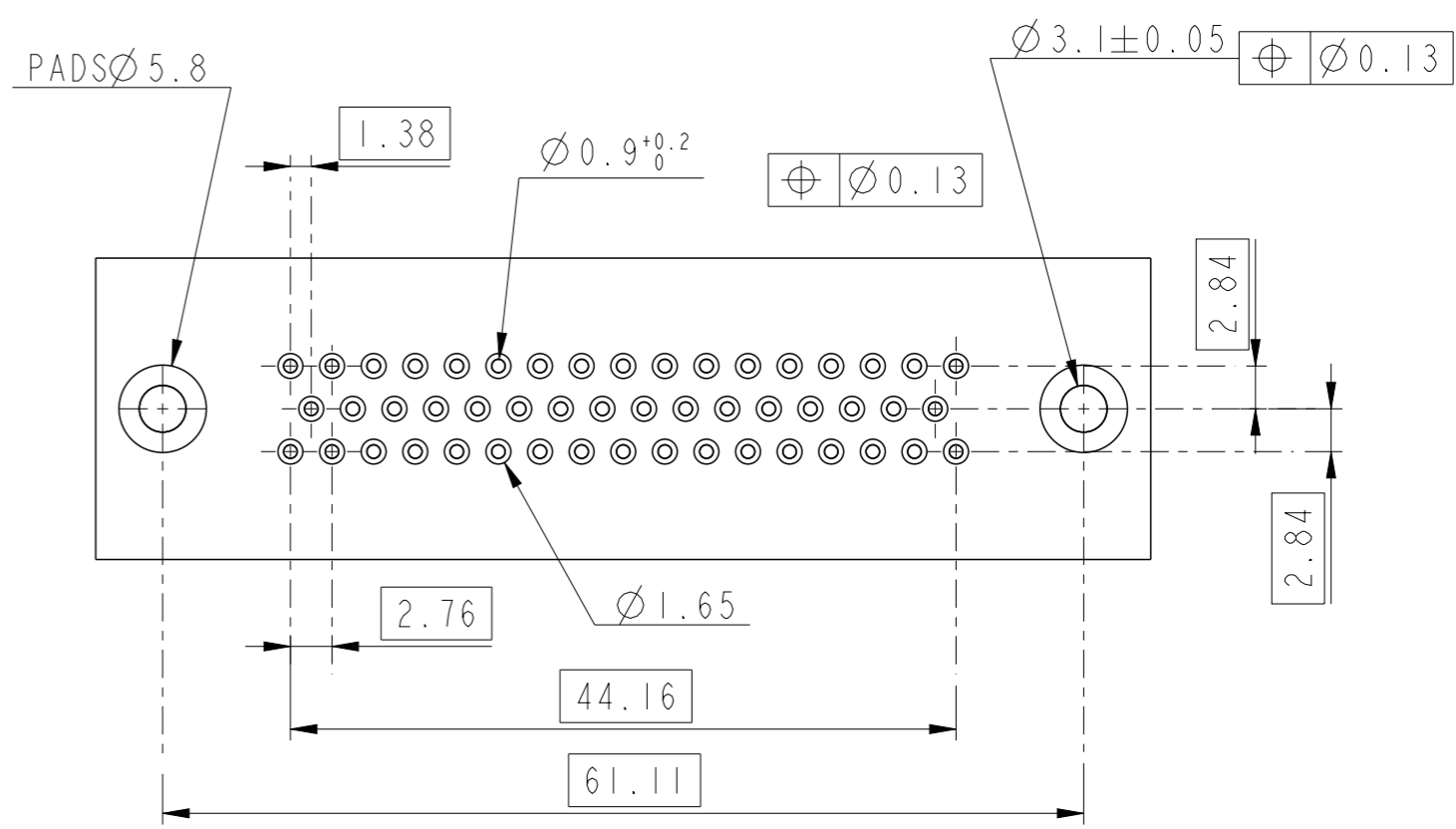
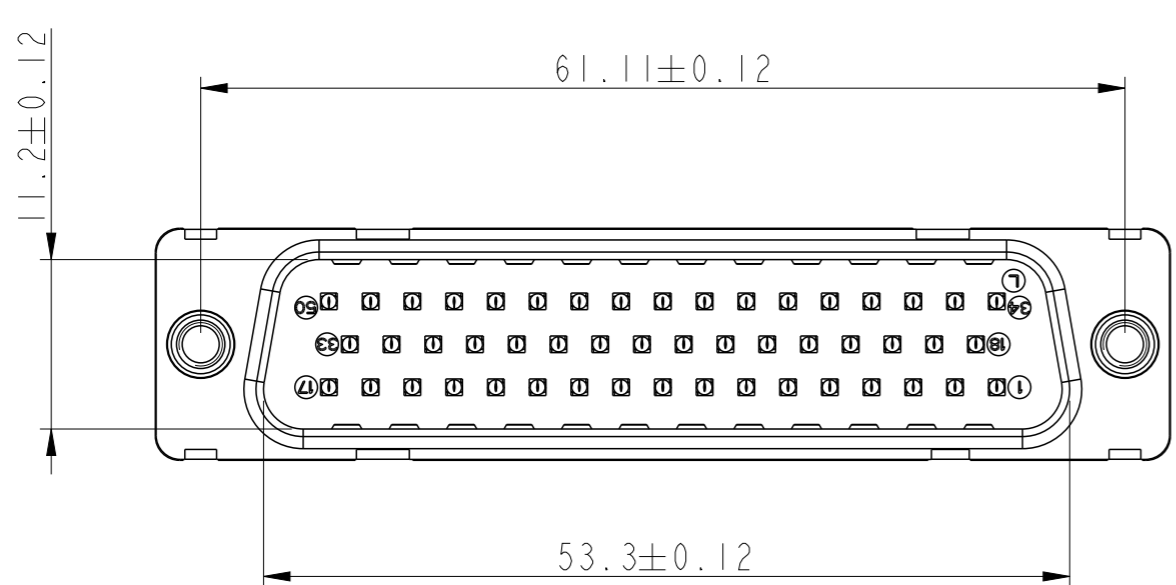
D

A

B

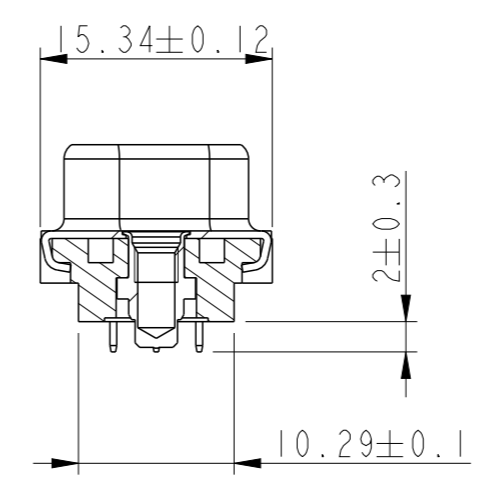
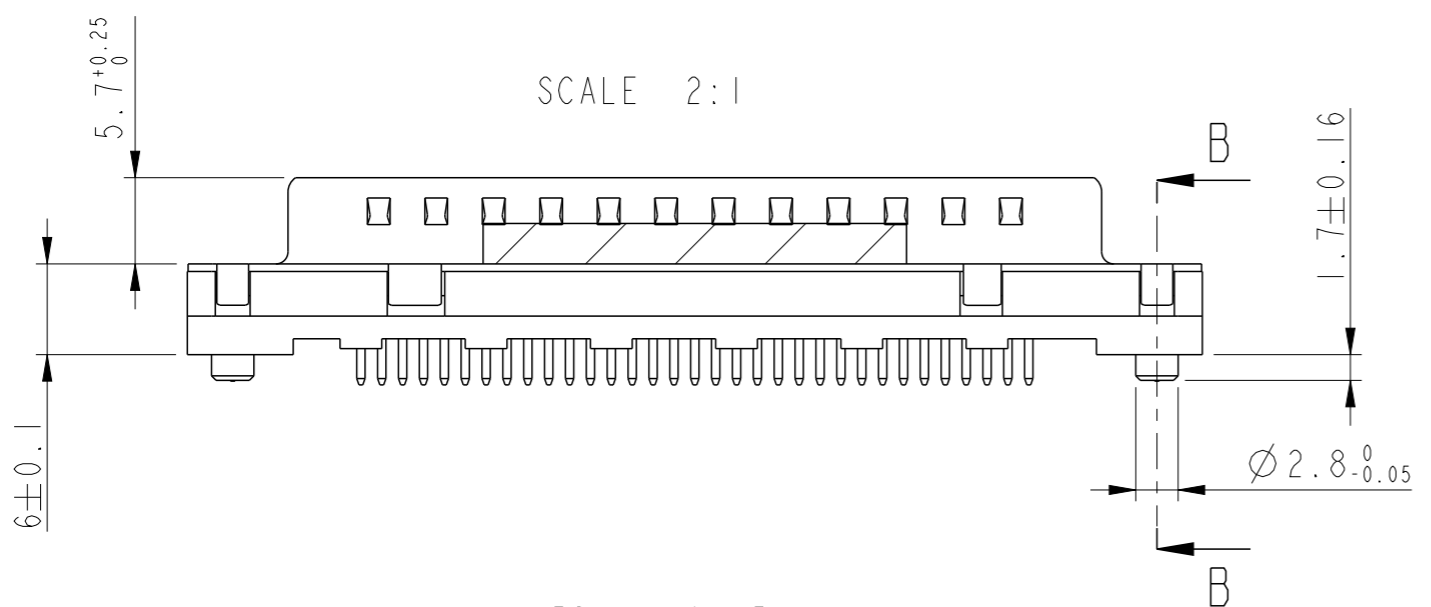
C

D



PC Card drilling dimensions and Pads recommended
(after plating - Thickness : 1.60mm)

SCALE 2:1



P/N LEAD FREE
D50P24A6xx09LF

FOR xx SEE SHEET 1

www.fciconnect.com		surface - ✓ ISO 1302	tolerance std ISO 406 ISO 1101	projection mm
TOLERANCES UNLESS OTHERWISE SPECIFIED				
Dr	P. CRON	03/02/06	ANGULAR	0.X ±0.3
Eng	H. LEGALLIC	03/02/06	LINEAR	0.XX ±0.1
Chr	NIRMAL G	2010-10-14	0° ±2°	0.XXX ±0.05
Appr	SUDHIR V	2010-10-14	Product family	SUB DELTA D PIP
FCi			SUB DELTA D PIP MALE	
Title			straight for tray	
Catalog no			SEE TABLE	
DWG no			C01-8646-0878	
Rev.			G	
CUSTOMER COPY			sheet 3 of 3	



Copyright FCI.

1

2

3

PDM: Rev:G

STATUS: Released

Printed: Jan 18, 2011