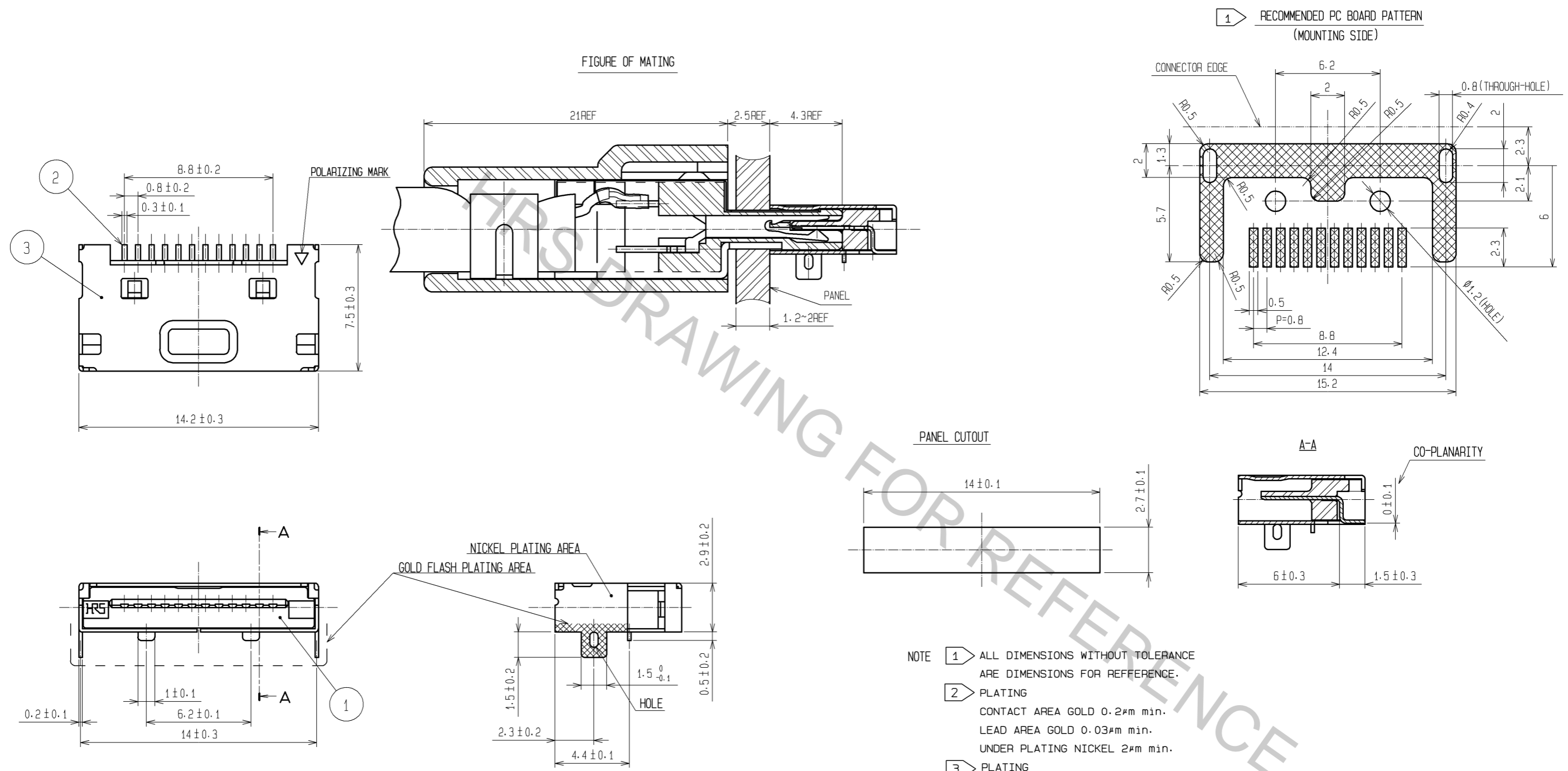


Apr.1.2017 Copyright 2017 HIROSE ELECTRIC CO., LTD. All Rights Reserved.

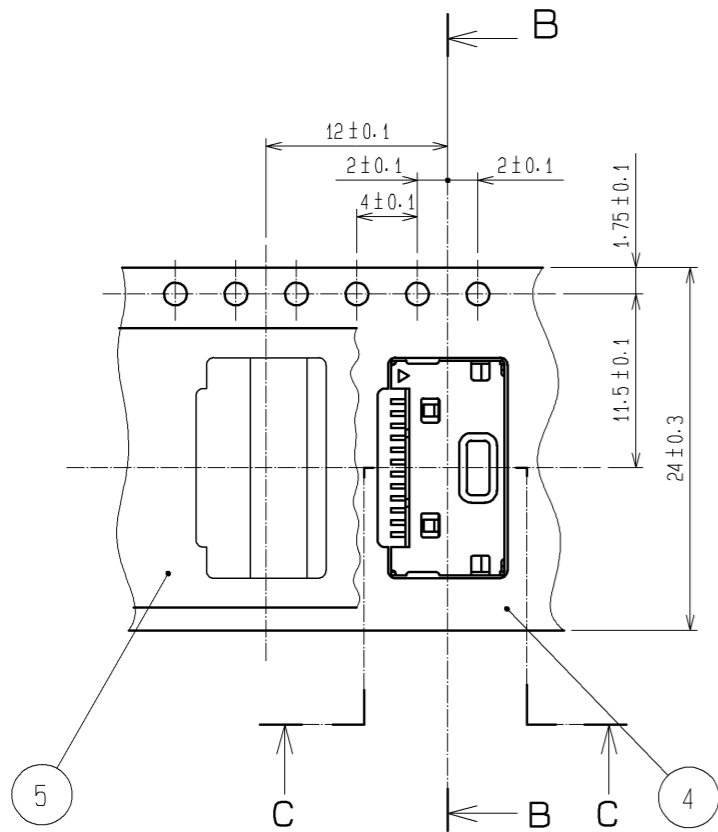


- NOTE
- 1 ALL DIMENSIONS WITHOUT TOLERANCE ARE DIMENSIONS FOR REFERENCE.
 - 2 PLATING
CONTACT AREA GOLD 0.2μm min.
LEAD AREA GOLD 0.03μm min.
UNDER PLATING NICKEL 2μm min.
 - 3 PLATING
GOLD FLASH PLATING 0.03μm min.
UNDER PLATING NICKEL 0.2μm min.

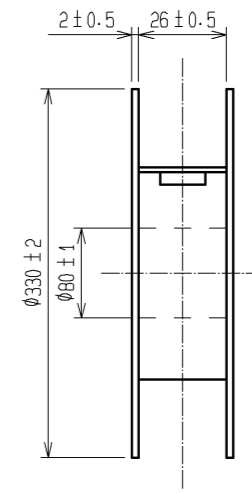
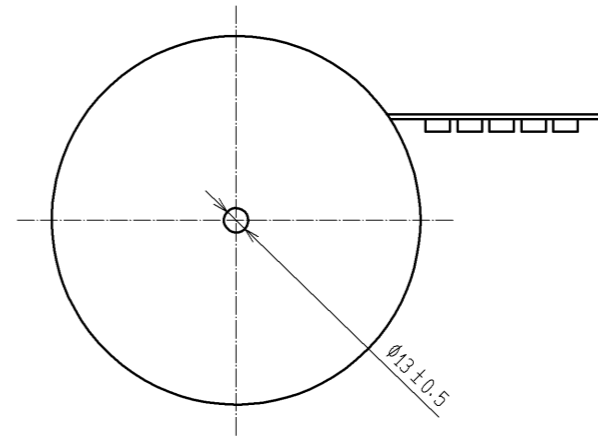
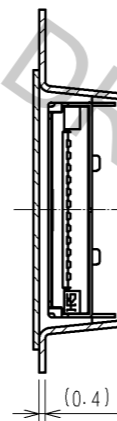
2	PHOSPHOR BRONZE	2	5	PET				
1	PPS	(BLACK)UL94V-0	4	PS				
			3	STAINLESS STEEL	3			
NO.	MATERIAL	FINISH . REMARKS	NO.	MATERIAL	FINISH . REMARKS			
UNITS	mm	SCALE	4 : 1	COUNT	DESCRIPTION OF REVISIONS	DESIGNED	CHECKED	DATE
HRS HIROSE ELECTRIC CO., LTD.		APPROVED : KN. ICHIKAWA	08.03.13	DRAWING NO. EDC3-120858-03				
		CHECED : MO. SHIMOYAMA	08.03.12	PART NO. 3260B-12S3(55)				
		DESIGNED : KO. KAWAMURA	08.03.03	CODE NO. CL232-0090-4-55				
		DRAWN : KO. KAWAMURA	08.03.03					

DIRECTION OF UNREELING →

STYLE AND DIMENTION OF REEL(FREE)

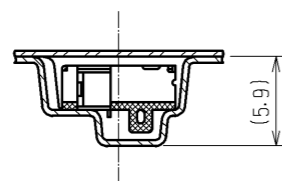


B-B



NOTE 4. 1000PIECES PER REEL.

C-C



HRS	DRAWING NO.	EDC3-120858-03	
	PART NO.	3260B-12S3(55)	
	CODE NO.	CL232-0090-4-55	