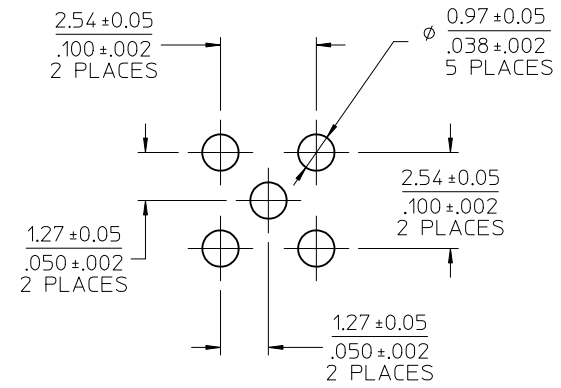
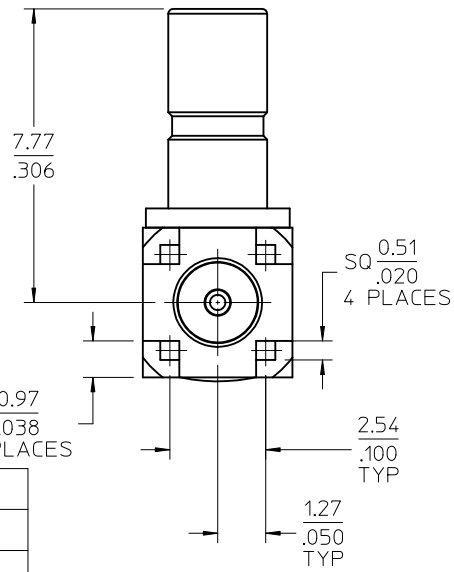
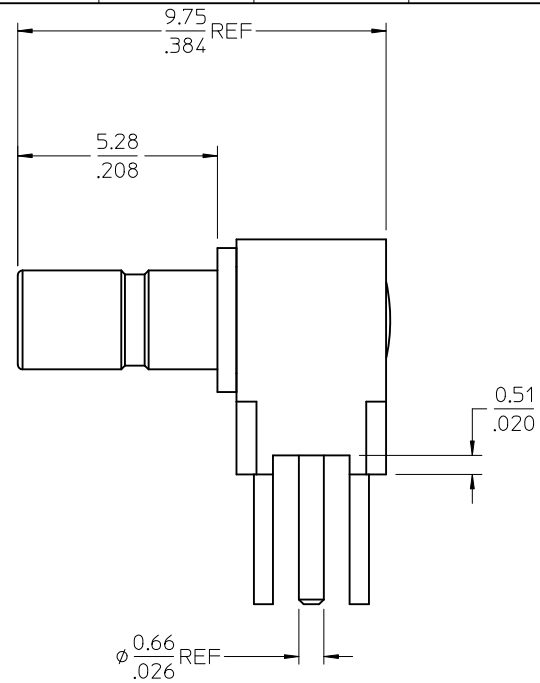
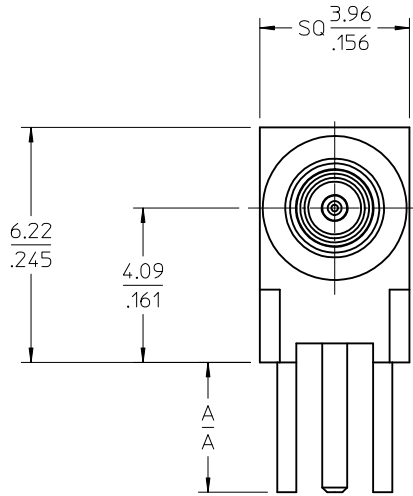
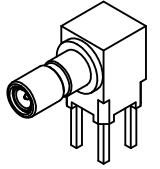


MATERIALS AND FINISHES

BODY, CAP: BRASS
PLATED GOLD

CENTER CONTACT: BRASS
PLATED GOLD

INSULATOR: TEFLON



PCB HOLE PATTERN

73328-0030
IS THE SAME AS
73397-6090
EXCEPT PLATING

73328-0031	.080	2.03
73328-0030	.135	3.44
PART NO.	IN	MM
A		

MIL-STD-348A, FIG. 320.1		INTERFACE																
SPECIFICATION		DESCRIPTION																
GENERAL TOLERANCES (UNLESS SPECIFIED)	DIMENSION STYLE MM/IN	SCALE	DESIGN UNITS METRIC															
<table border="1"> <tr> <th></th> <th>mm</th> <th>INCH</th> </tr> <tr> <td>4 PLACES</td> <td>± .005</td> <td>± .0005</td> </tr> <tr> <td>3 PLACES</td> <td>± .004</td> <td>± .0004</td> </tr> <tr> <td>2 PLACES</td> <td>± .003</td> <td>± .0003</td> </tr> <tr> <td>1 PLACE</td> <td>± .002</td> <td>± .0002</td> </tr> </table>		mm	INCH	4 PLACES	± .005	± .0005	3 PLACES	± .004	± .0004	2 PLACES	± .003	± .0003	1 PLACE	± .002	± .0002	DRAWN BY: TEF DATE: 2004/02/25 CHECKED BY: SSS DATE: 2004/02/25 APPROVED BY: GMH DATE: 2004/02/25	TITLE	THIRD ANGLE PROJECTION
	mm	INCH																
4 PLACES	± .005	± .0005																
3 PLACES	± .004	± .0004																
2 PLACES	± .003	± .0003																
1 PLACE	± .002	± .0002																
ANGULAR ± 2° DRAFT WHERE APPLICABLE MUST REMAIN WITHIN DIMENSIONS		SSMB JACK R/A PCB 50 OHMS, EWR-2093 SSMB-J/RA/PCB MOLEX INCORPORATED SD-73328-003																
MATERIAL NO. SEE TABLE		DOCUMENT NO.	SHEET NO. 1 OF 1															
THIS DRAWING CONTAINS INFORMATION THAT IS PROPRIETARY TO MOLEX INCORPORATED AND SHOULD NOT BE USED WITHOUT WRITTEN PERMISSION																		

CHG: ADDED
TABULATION FOR
73328-0031.

EC NO: URF2012-0198
 DRWN:ROBERTSON 2011/10/13
 CHKD:SSS 2011/10/13
 APPR:WIENER 2011/10/13

REV	DESCRIPTION
C1	

QUALITY SYMBOLS
 ▽=0
 ▽=0