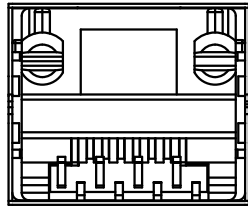
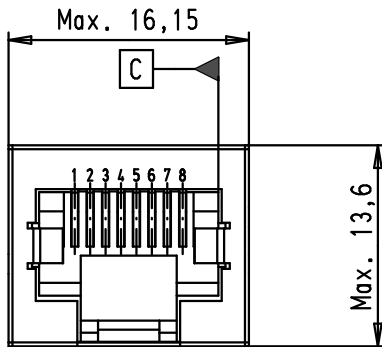
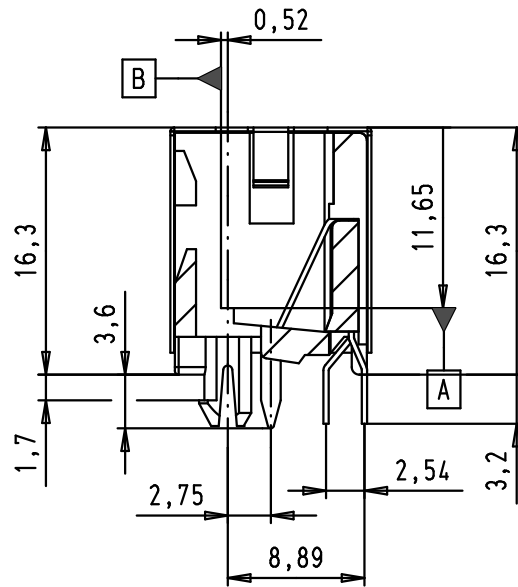
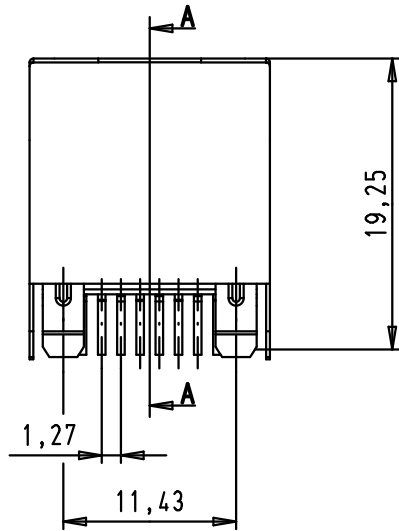


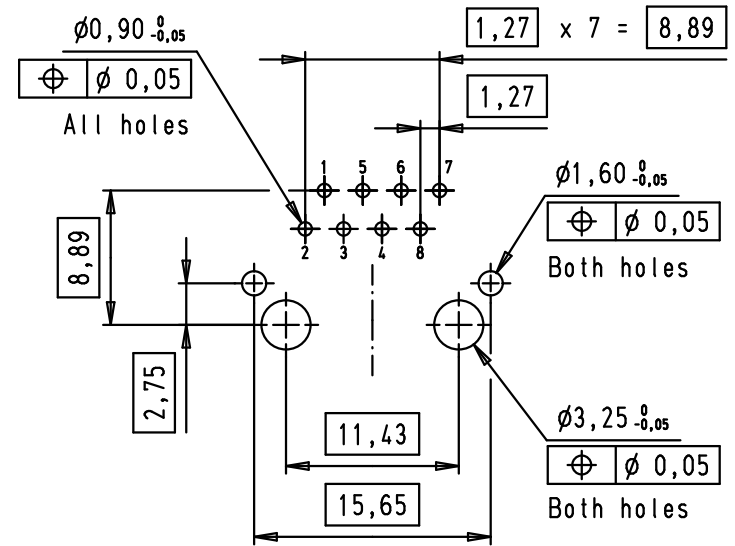
5 4 3 2 1



A-A





PCB layout, component side



Material:

- Shielding: Copper alloy with nickel plating
- Housing: PBT, UL-94-V0, black
- Insert: PBT, UL-94-V0, black
- Contact: -Phosphor bronze, selective gold plating over nickel in contact area  
-Tin plating over nickel in solder area

				Det.	09/04/08	LP	 All Dim. in mm Orig. Size DIN A 4	HARTING RJ industrial <sup>®</sup> RJ45 jack THT with 8 signal terminations and 2 grounding terminations	Maßstab/ Scale
			Insp.	09/01/12	JB	2:1			
36286	09/01/12	SD	Stand.						
35070	06/08/08	PK	HARTING EURL F-95972 Paris				TB 09 45 551 1103	Blatt/ Page	
34910	09/04/08	LP						1 / 1	
Mod.	Det.	Name				Sub. MB 00 45 0139			