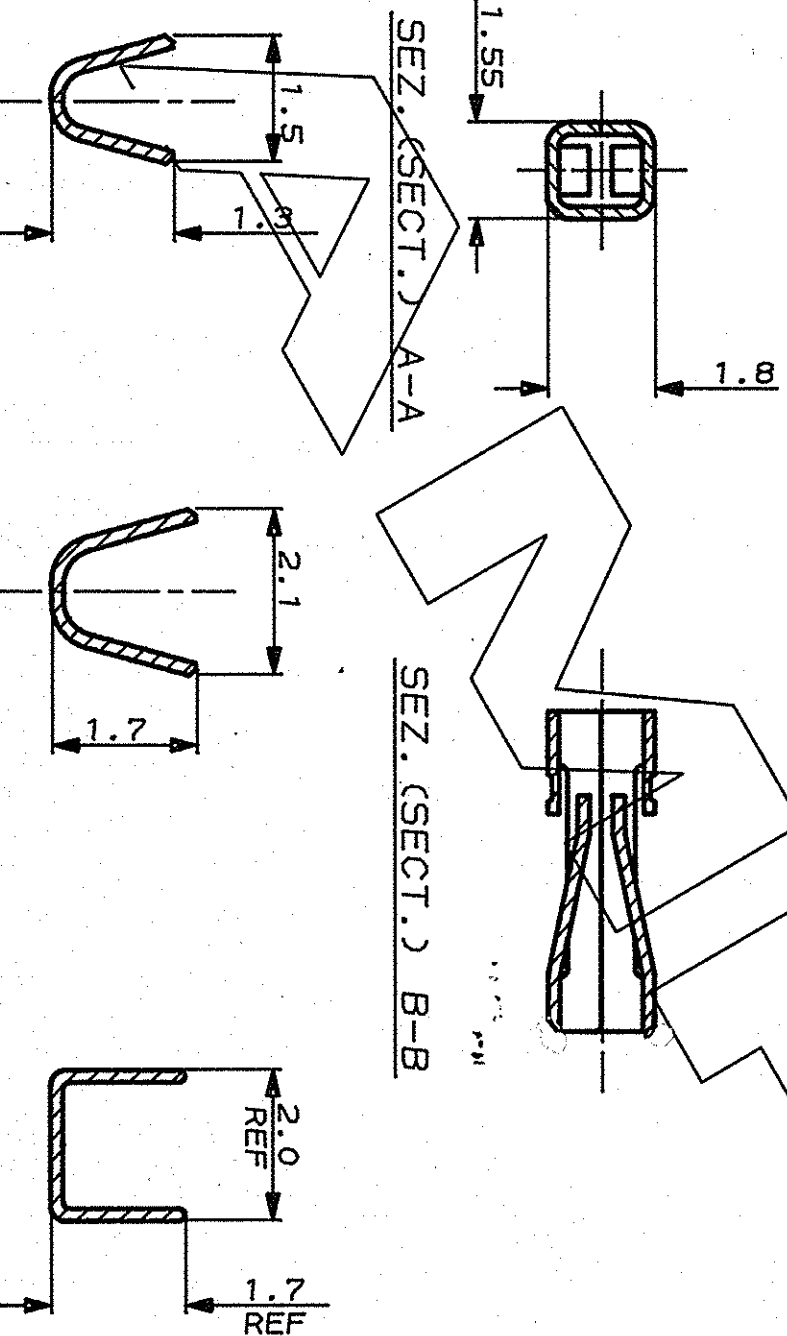
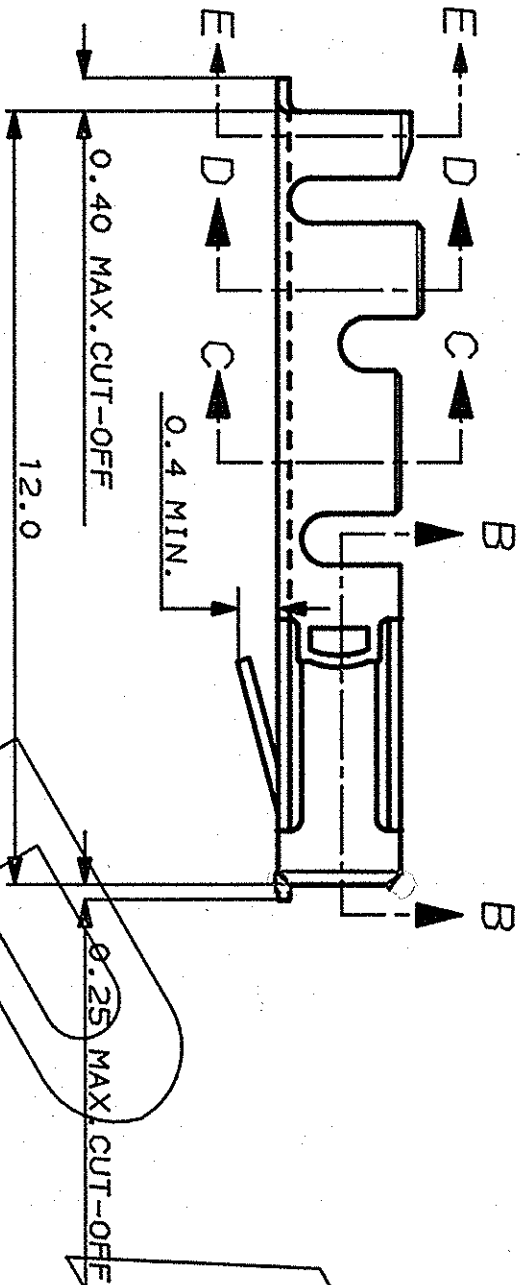
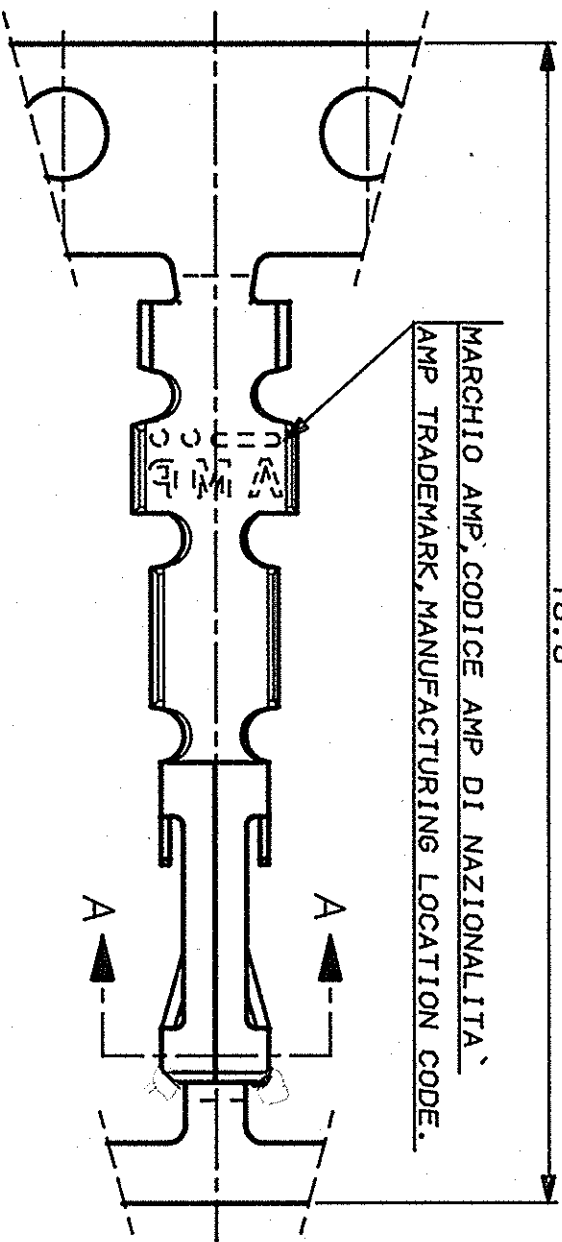


SCALA NON IMPERATIVA
DO NOT SCALE
DIMENSIONI IN mm
DIMENSIONS IN mm

METRIC

PROIEZIONE EUROPEA
EUROPEAN PROJECTION



NOTE (NOTES)

1. MATERIALE (MATL.): BRONZO FOSFOROSO (PHOSPHOR BRONZE).
2. FINITURA (FINISH): STAGNATO 0.8µm ECCEPTE LA ZONE TRANCIAATE. (TIN PLATED 0.8µm ALL OVER EXCEPT FOR CUTTING EDGES).
3. PER MINI-APPLICATORE (FOR MINI-APPLICATOR) P/N 781119-2.
4. PER APPLICATORE STD. (FOR STD. APPLICATOR).
5. PER UTENSILE A MANO (FOR HANDTOOL) P/N 782116.

NOTE (NOTES)

1 & 2

MATERIALE E FINITURA (MATL. & FINISH)	182207-2	280709-1	280709-2
LOOSE-PIECE PART NUMBER:			
STRIP PART NUMBER (D.T.O L.): (NOTA QUOTE 4)			
STRIP PART NUMBER (D.T.O R.): (NOTA QUOTE 3)			

CUSTOMER DWG. SOLO PER RIFERIMENTO

THIS DRAWING IS UNPUBLISHED
© COPYRIGHT 1989 BY AMP INCORPORATED, HARRISBURG, PA. ALL INTERNATIONAL RIGHTS RESERVED. AMP PRODUCTS MAY BE COVERED BY U.S. AND FOREIGN PATENT AND/OR PATENT PENDING TOLERANCES, SEE NOW DIVERGENTE SPECIFICATO
± 0.3

AMP
AMP ITALIA S.p.A.
Corso F.lli Cervi, 15
COLLENO (TORINO)

DESCRIZIONE: AMPMODU II REC. CONTACT, HIGH PRESSURE, C.O.S.I.

REV.	REVISIONI (REVISION RECORD)	DIS. DATA (DATE)	APP. (APP.)	LOC. SIZE (CODE NO)	REV.	FOR LO (FOR LO)
A	AGGIORNATO E RITRACCIATO (REVISED & REDRAWN)	6.C. 5/89	---	I A3 C	---	---
B	AGGIORNATO E RITRACCIATO (REVISED & REDRAWN)	6.C. 5/89	---	---	---	---
C	AGGIORNATO (REVISED)	6.C. 9/89	---	---	---	---
D	AGGIORNATO (REVISED)	6.C. 1/90	---	---	---	---
E	AGGIORNATO (REVISED)	6.C. 7-91	---	---	---	---
P	AGGIORNATO (REVISED)	---	---	---	---	---