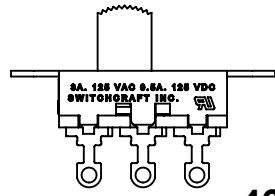


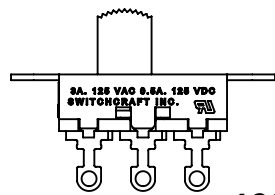
46202LRX

SCHEMATIC
SINGLE POLE SINGLE THROW



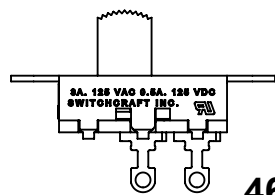
46203LRX

SCHEMATIC
SINGLE POLE DOUBLE THROW



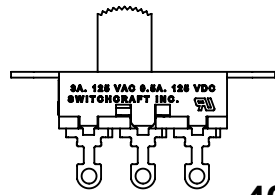
46203LSRX

SCHEMATIC
SINGLE POLE DOUBLE THROW
SHORTING CONTACT



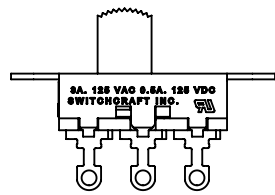
46204LRX

SCHEMATIC
DOUBLE POLE SINGLE THROW



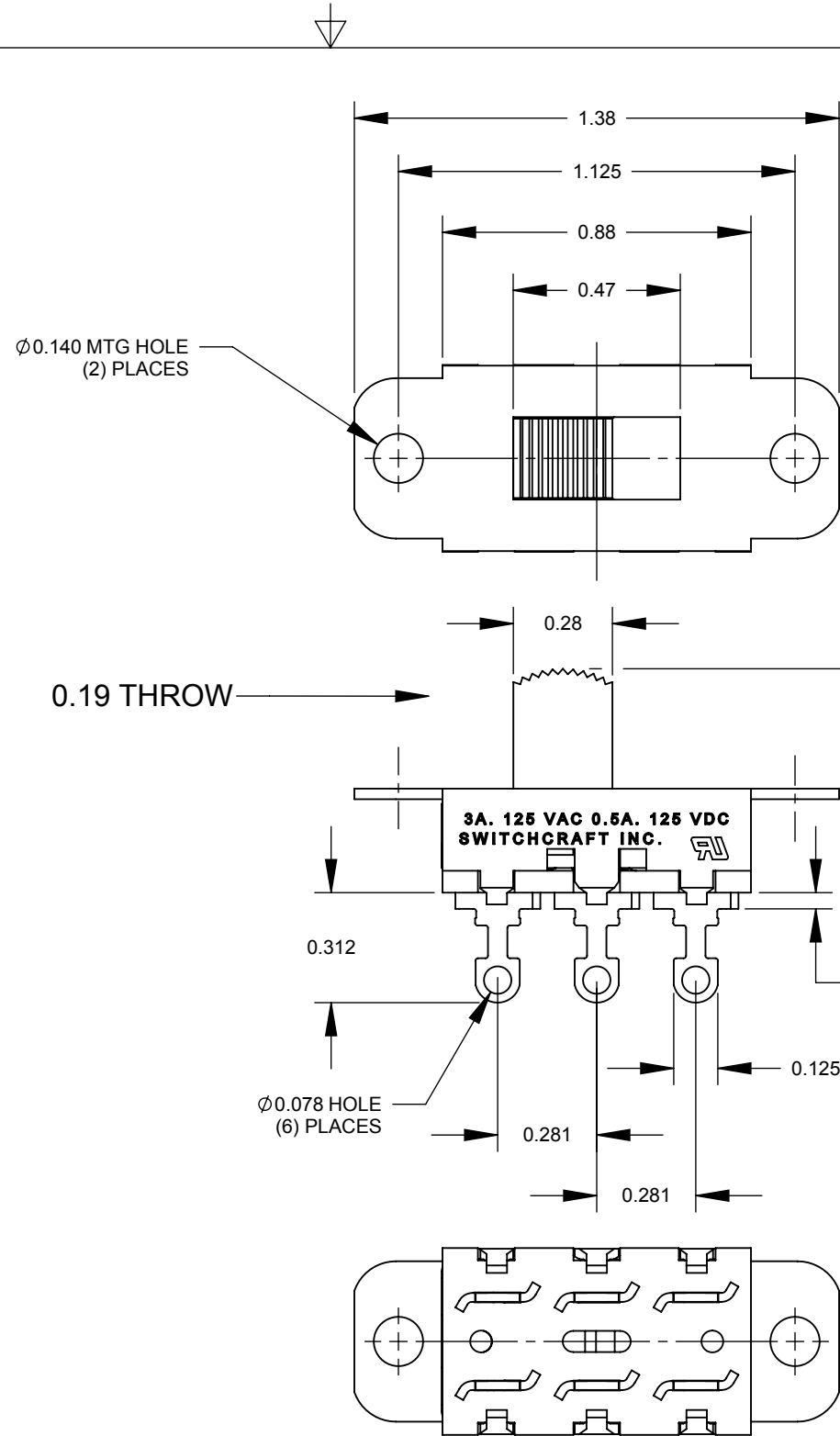
46206LRX

SCHEMATIC
DOUBLE POLE DOUBLE THROW

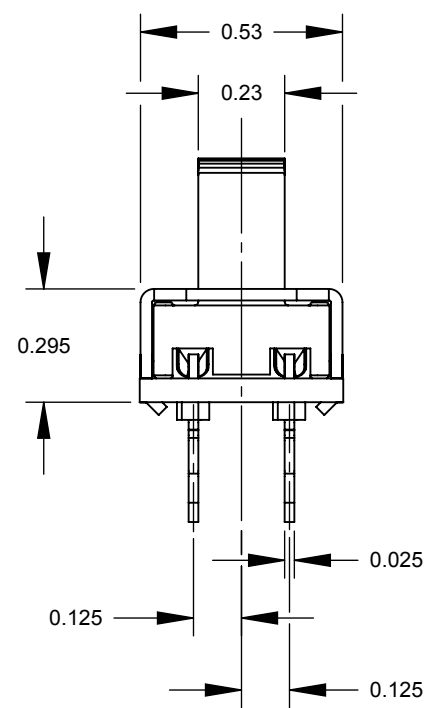
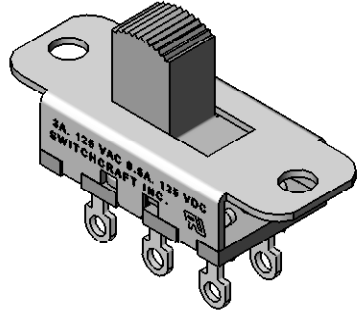


46206LSRX

SCHEMATIC
DOUBLE POLE DOUBLE THROW
SHORTING CONTACTS



46206LRX SHOWN



- NOTES:
- ALL DIMENSIONS REFERENCE UNLESS OTHERWISE SPECIFIED.
 - MATERIALS:
HOUSING - STEEL, ZINC PLATED
BUTTON - THERMOPLASTIC, BLACK
TERMINALS & CONTACT SLIDER - BRASS, SILVER PLATED
TERMINAL BOARD - PHENOLIC
 - SWITCH RATING:
3 AMP, 125 V.A.C., 0.5 AMP, 125 V.D.C.
 - THIS PRODUCT IS RoHS COMPLIANT.

REV	ECO NUMBER	DATE	BY	APVD
A	26008	8/5/06	RS	TJK
REVISIONS				

UNLESS OTHERWISE SPECIFIED

1. ALL DIMENSIONS IN INCHES
- TWO PLACE DECIMALS ±0.02
- THREE PLACE DECIMALS ±0.005

DO NOT SCALE DRAWING

THIS DRAWING DESCRIBES A DESIGN CONSIDERED PROPRIETARY IN NATURE, DEVELOPED AND MANUFACTURED BY SWITCHCRAFT INC. AND IS RELEASED ON A CONFIDENTIAL BASIS FOR IDENTIFICATION PURPOSES ONLY.									
SIZE	WIDTH	MULT	LBS/M	TEMPER					
FINISH					MATERIAL				
SPEC No.					SPEC No.				
FIRST USED ON					SCALE				
					2:1				
DATE DRAWN	BY	CHKD	APVD						
2/19/09	RS	RS	TJK						
					2/19/09				
					2/19/09				
NAME								PART No.	
46200LR SERIES								46200LRX SERIES	
SLIDE SWITCH, RoHS								REV	
								A	

CUSTOMER DRAWING