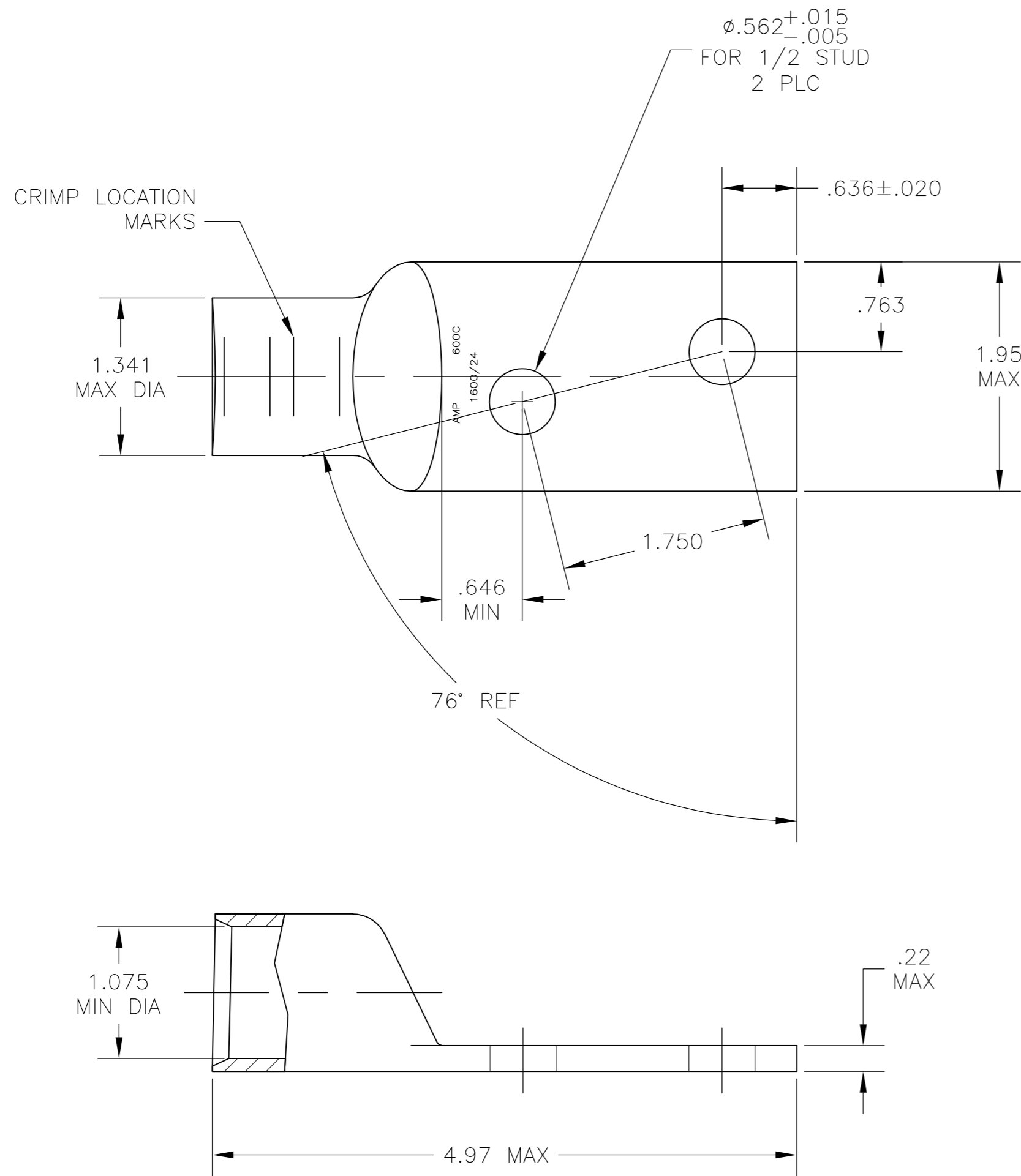


THIS DRAWING IS UNPUBLISHED. RELEASED FOR PUBLICATION
 © COPYRIGHT BY TYCO ELECTRONICS CORPORATION. ALL RIGHTS RESERVED.

| LOC | DIST | REVISIONS | | | |
|-----|------|-------------|-----------------------|---------|-------|
| P | LTR | DESCRIPTION | DATE | DWN | APVD |
| G | 86 | A2 | REV PER ECR 08-026048 | 17OCT08 | JR CK |



- 1 CIRCULAR MIL RANGE: 550-650 MCM
- 2 .000150 MIN TIN PLATE PER ASTM B-545
- 3 COPPER PER ASTM B-75, ANNEALED

696942-1
 PART NO.

| | | | | |
|---|--|------------------------------|---|------------------------|
| THIS DRAWING IS A CONTROLLED DOCUMENT. | | DWN JR RUTH 09FEB06 | Tyco Electronics Corporation Harrisburg, PA 17105-3608 | |
| DIMENSIONS: INCHES | | CHK MJ SPICER 09FEB06 | | |
| TOLERANCES UNLESS OTHERWISE SPECIFIED: | | APVD MJ SPICER 09FEB06 | NAME TERMINAL, AMPPOWER, WIRE SIZE: 600 MCM | |
| 0 PLC ± - 1 PLC ± - 2 PLC ± .02 3 PLC ± .010 4 PLC ± - ANGLES ± 2° | | PRODUCT SPEC 108-30200 | SIZE | RESTRICTED TO |
| MATERIAL | | APPLICATION SPEC | CAGE CODE A2 00779 | DRAWING NO C=696942 |
| FINISH | | WEIGHT .574 LB | SCALE 1:1 | SHEET 1 of 1 |
| | | CUSTOMER DRAWING | REV A2 | |

696942