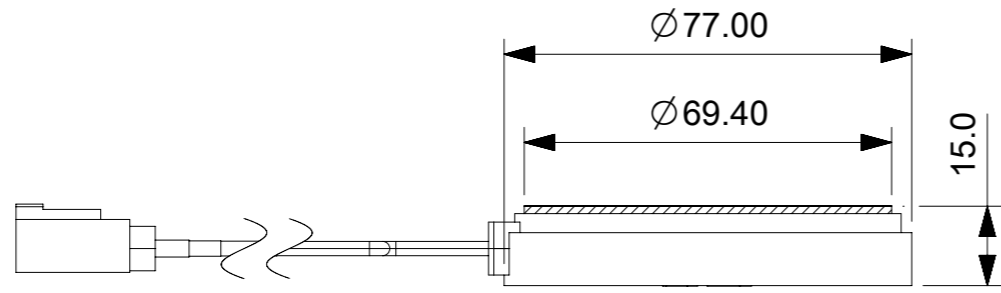
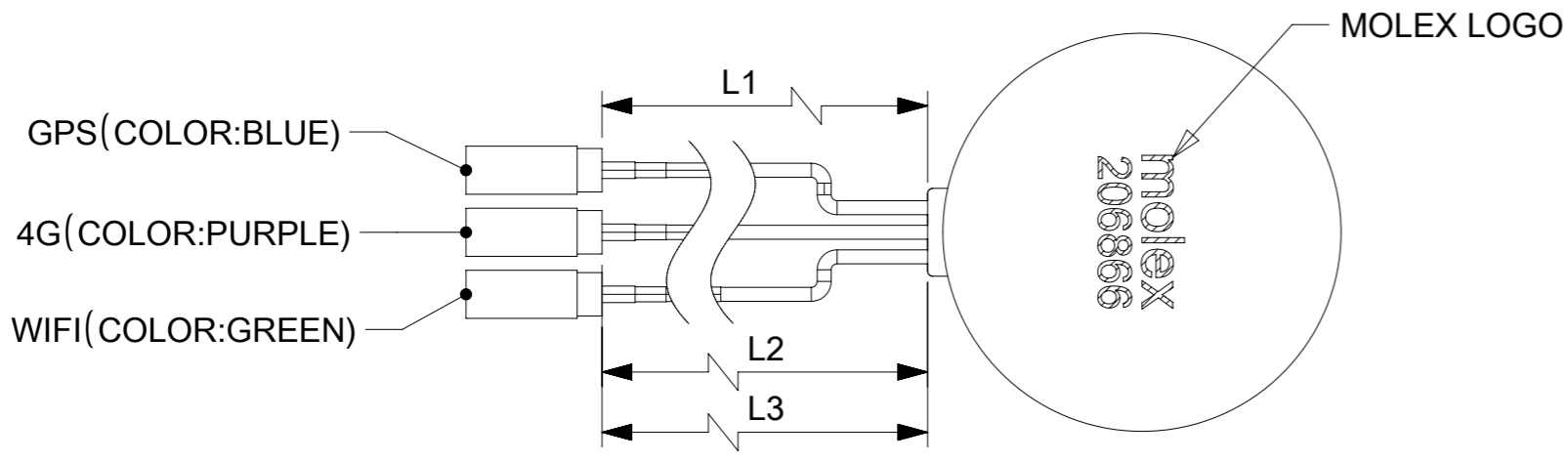


A PLANE



3D VIEW



B PLANE

TABLE A		
ITE	MATERIAL	DESCRIPTION
1	ANTENNA	DIELECTRIC CERAMIC
2	PLASTIC CASE	ABS
3	PCB	FR4
4	SHIELDING CASE	TINPLATE
5	CABLE	RG174
6	GPS CONNECTOR	FAKRA-C
7	GSM CONNECTOR	FAKRA-D
8	WIFI CONNECTOR	FAKRA-E
9	ADHSIVE	3M

NOTE:
 1. CABLE LENGTH:L1=3000±100mm;L2=3000±100mm;
 L3=3000±100mm
 2. FOAM GLUE FIXED ON THE A SIDE, B SIDE UP WHEN USED.
 3. MATERIAL PLEAES REFER TO TABLE A.

SYMBOLS ▽ = 0 ▽ = 0 ▽ = 0 ▽ = 0 ▽ = 0 ▽ = 0 ▽ = 0 ▽ = 0 ▽ = 0 ▽ = 0	THIS DRAWING CONTAINS INFORMATION THAT IS PROPRIETARY TO MOLEX ELECTRONIC TECHNOLOGIES, LLC AND SHOULD NOT BE USED WITHOUT WRITTEN PERMISSION DIMENSION UNITS: mm SCALE: 1:1	CURRENT REV DESC: EC NO: 177153 DRWN: KCHENG06 2018/03/13 CHK'D: KCHENG06 2018/06/04 APPR: XJSONG 2018/06/07				
	GENERAL TOLERANCES (UNLESS SPECIFIED) ANGULAR TOL ± °	INITIAL REVISION: DRWN: KCHENG06 2018/03/13 APPR: XJSONG 2018/06/07	3IN1 (4G/WIFI/GPS) EXTERNAL ANTENNA			
	4 PLACES ± 3 PLACES ± 2 PLACES ± 1.5 1 PLACE ± 2.0 0 PLACES ±	DRAFT WHERE APPLICABLE MUST REMAIN WITHIN DIMENSIONS	THIRD ANGLE PROJECTION 	DRAWING: A3-SIZE SERIES: 206866	MATERIAL NUMBER: 2068663000 CUSTOMER: GENERAL MARKET	DOCUMENT NUMBER: 2068663000 DOC TYPE: PSD DOC PART: SD REVISION: A
	SHEET NUMBER: 1 OF 1		SHEET NUMBER: 1 OF 1			