

H G F E D C B A

4

4

3

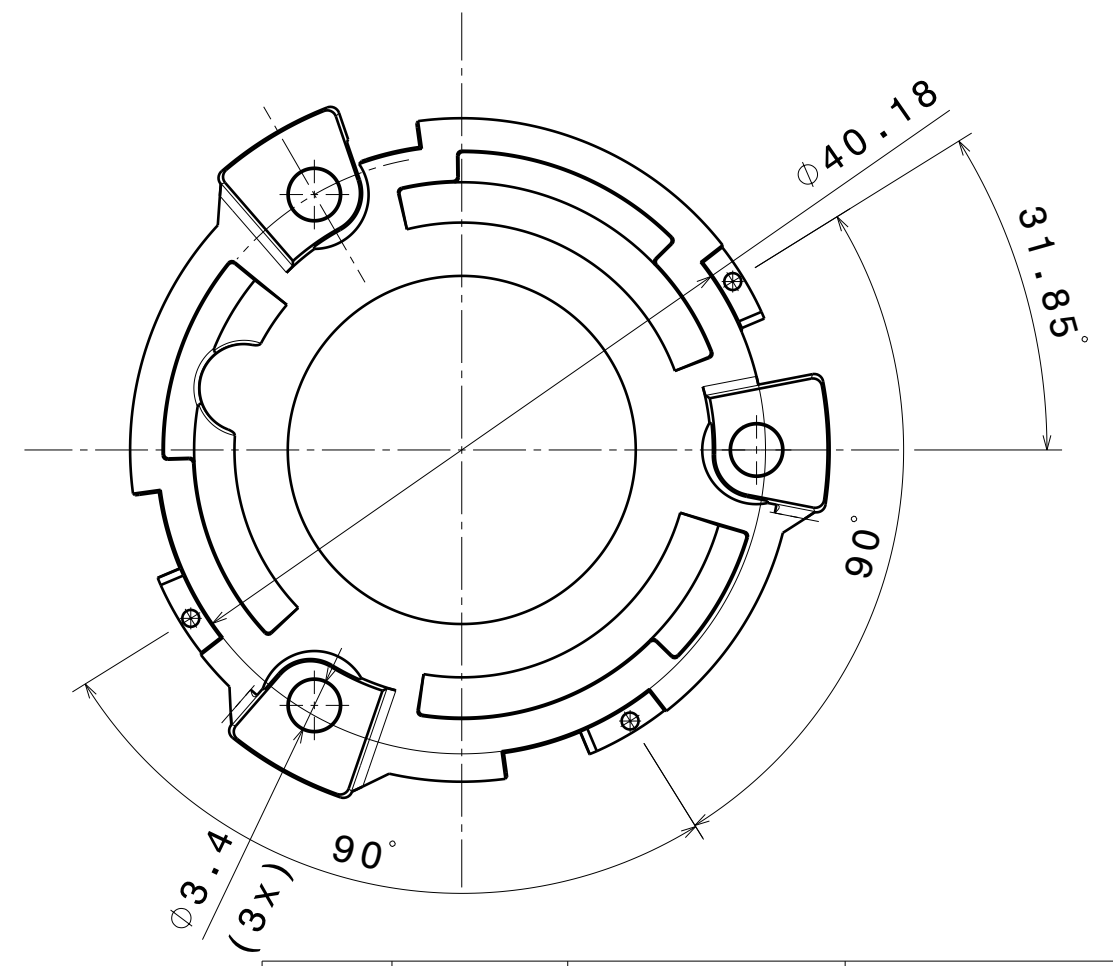
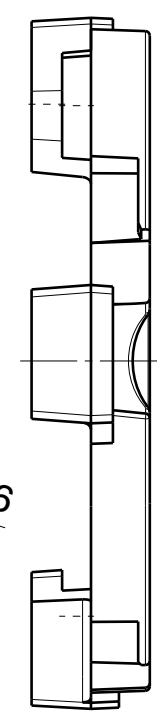
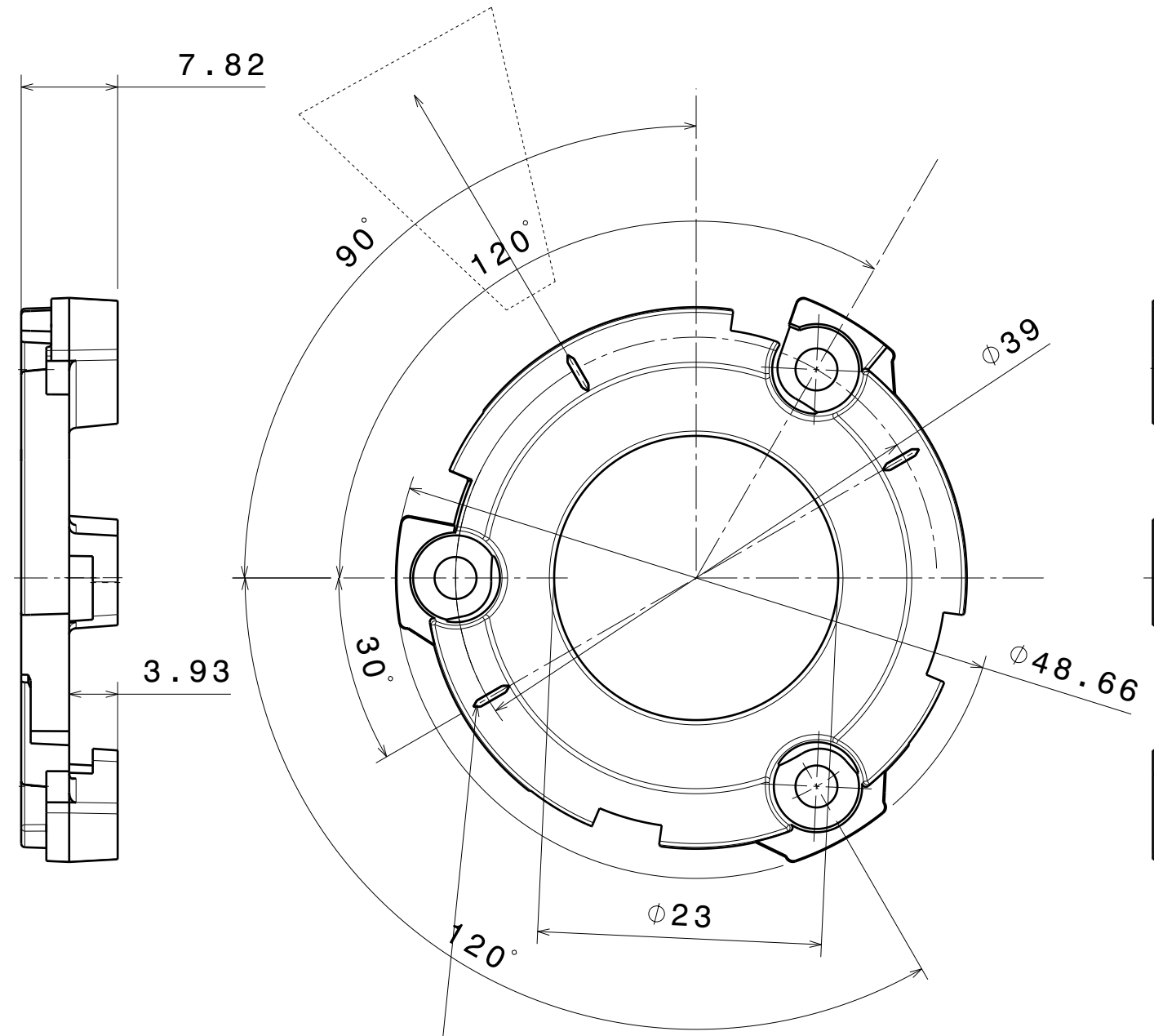
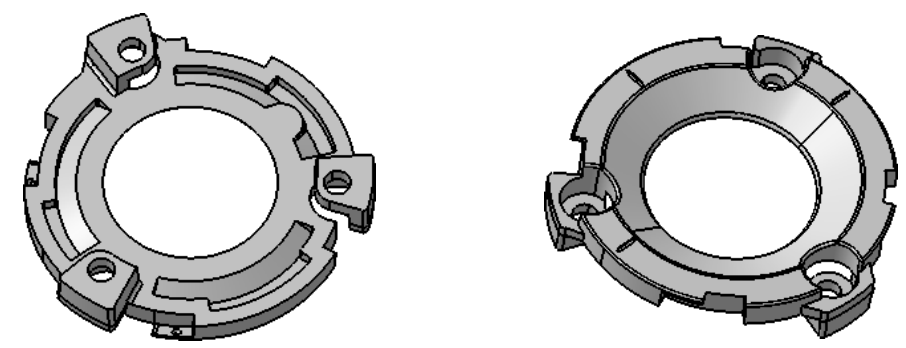
3

2

2

1

1



Marks for asymmetric lens

INDEX	PART NO	DESCRIPTION	MATERIAL	COLOUR
1	C16058	XTM-ADAPTER-50-C		white

Tolerances if not otherwise shown
According to DIN ISO 2768-1
Linear measures:
Up to 30mm class M, otherwise class C.
According to DIN ISO 2768-2
Form and position: class L

LEDiL Ledil Oy
Salorankatu 10
FIN 24240 SALO
Finland

THIRD ANGLE PROJECTION:

DRAWING TITLE
C16058_XTM-ADAPTER-50-C

This drawing is the property of LEDiL Oy. It may not be reproduced, copied or communicated without a written agreement with LEDiL Oy.

SIZE	PART NUMBER
A3	C16058

SCALE	1:1	WEIGHT	4 g	SHEET	1/1
-------	-----	--------	-----	-------	-----

H G B A