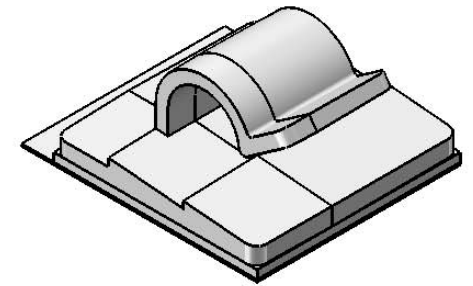
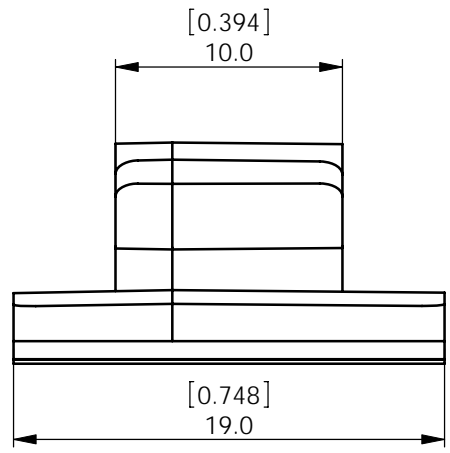
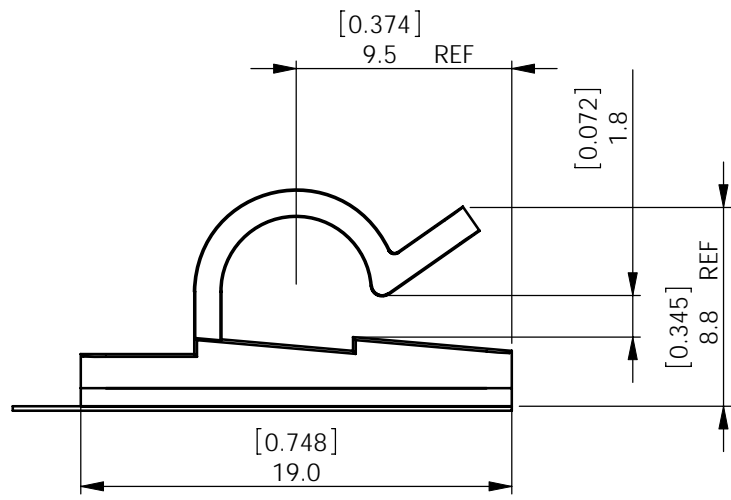


REV	MODIFICATION	DATE	DRN
01	PRODUCTION RELEASE	22/02/08	I.C
02	CO2010326	14/08/08	S.F



NOTE:  
1) TO HOLD 5.5-6.5[0.22-0.26]DIAMETER CABLE



PART NUMBER	MATERIAL
WCK-280-01A4-RT	PART:NYLON 6/6 UL94-V2(RMS-01) ADHESIVE:ACRYLIC ADHESIVE,PE FILM LINER,PE FOAM(RMS-324)
WCK-280-01	NYLON 6/6 UL-94-V2

INFORMATION CONTAINED IN THIS DOCUMENT IS CONFIDENTIAL TO RICHCO INTERNATIONAL Co. Ltd. AND MAY NOT BE DISCLOSED OR REPRODUCED IN WHOLE OR PART WITHOUT THEIR WRITTEN CONSENT.

ALL DIMENSIONS IN mm  
GENERAL TOLERANCES ±0.25  
UNLESS OTHERWISE STATED  
1 DECIMAL PLACE ±0.25  
2 DECIMAL PLACES ± 0.10  
ANGULAR ±1°

THIRD ANGLE

MATERIAL: SEE TABLE		COLOUR: NATURAL	
DESCRIPTION: WIRE CORD KLIP		PART No: SEE TABLE	
DRG No: 08-078	NPR No: N/A	Mass:(g) 1.0	SHEET SIZE A4
DRN S.F.	DATE 14/08/08	CHKD T.C.	DATE 14/08/08
SCALE 3:1		SHEET No. 1 OF 1	