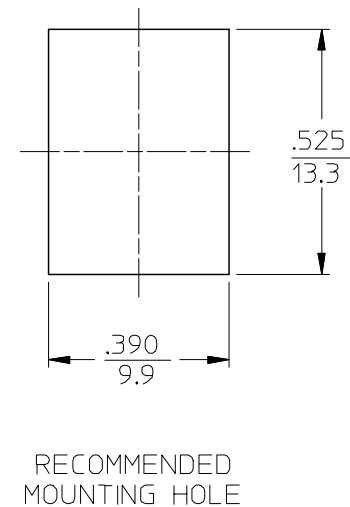
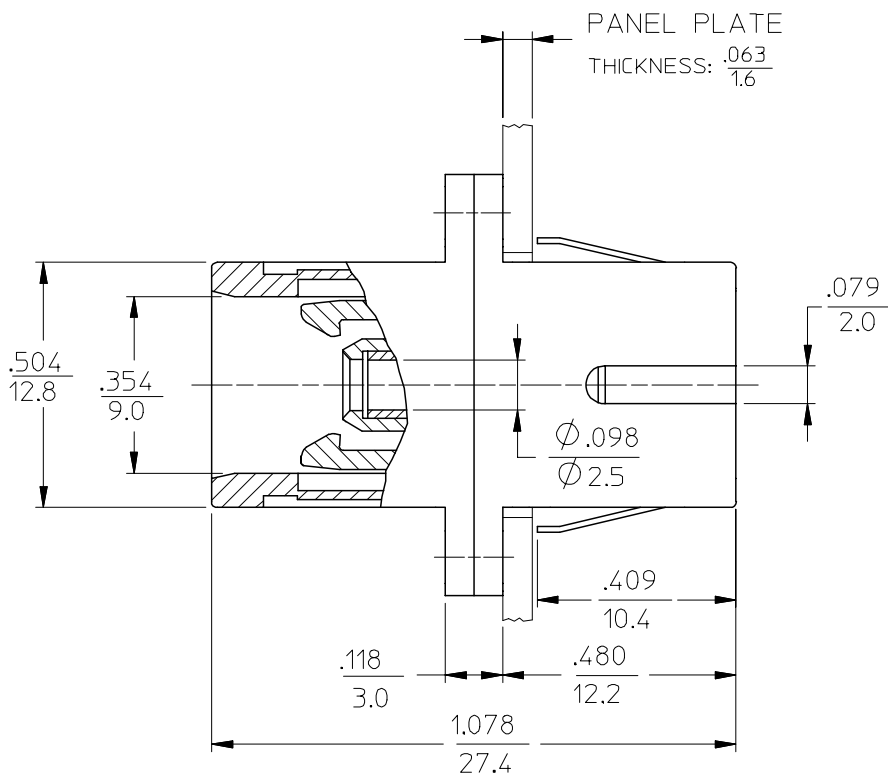
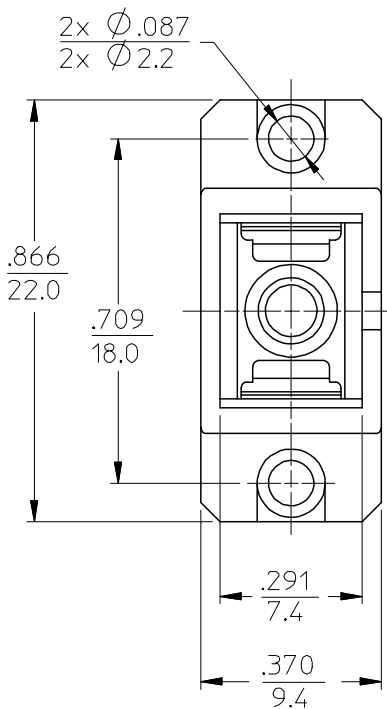


10 9 8 7 6 5 4 3 2 106160

ADAPTER P/N	SPRING LEVER COLOR	MATERIAL OF SLEEVE	SHELL COLOR
106160-0000	BLUE	PHOSPHOR BRONZE Zr,	BLUE
106161-0000		LOW COST	
106160-0100*			
106160-1000	BLACK	PHOSPHOR BRONZE Zr	RED
106161-1000			
106160-2000		PHOSPHOR BRONZE Zr	BLACK
106161-2000			
106160-3000	BLUE	PHOSPHOR BRONZE Zr,	GREEN
106160-3100*		LOW COST	
106161-3000			
106161-3100*			
106160-5000	BLACK	PHOSPHOR BRONZE Zr	BEIGE
106161-5000			



NOTES:

- DUST CAPS ARE NOT SHOWN BUT INCLUDED.
- *2. P/Ns 106160-3100, 106161-0100 AND 106161-3100 ARE BULK PACKED IN QUANTITIES OF 100 pcs.
- ALL MATERIALS USED IN ADAPTER MEET UL94 V-0.

ENTER DESCRIPTION EC NO: MF2007-0737 DRWN:KPEVNER CHKD: APPR:IGUMIN 2007/05/30 2007/05/30 2007/05/30	QUALITY SYMBOLS	GENERAL TOLERANCES (UNLESS SPECIFIED)	DIMENSION STYLE	SCALE	DESIGN UNITS	THIRD ANGLE PROJECTION															
	$\nabla=0$ $\nabla=0$	<table border="1"> <thead> <tr> <th></th> <th>mm</th> <th>INCH</th> </tr> </thead> <tbody> <tr> <td>4 PLACES</td> <td>± .005</td> <td>± .0005</td> </tr> <tr> <td>3 PLACES</td> <td>± .005</td> <td>± .0005</td> </tr> <tr> <td>2 PLACES</td> <td>± .005</td> <td>± .0005</td> </tr> <tr> <td>1 PLACE</td> <td>± .005</td> <td>± .0005</td> </tr> </tbody> </table>		mm	INCH	4 PLACES	± .005	± .0005	3 PLACES	± .005	± .0005	2 PLACES	± .005	± .0005	1 PLACE	± .005	± .0005	IN/MM	4:1	INCH	
		mm	INCH																		
	4 PLACES	± .005	± .0005																		
3 PLACES	± .005	± .0005																			
2 PLACES	± .005	± .0005																			
1 PLACE	± .005	± .0005																			
	<table border="1"> <thead> <tr> <th>DRAWN BY</th> <th>DATE</th> </tr> </thead> <tbody> <tr> <td>RPACIFIC1</td> <td>2005/12/22</td> </tr> <tr> <th>CHECKED BY</th> <th>DATE</th> </tr> <tr> <td></td> <td></td> </tr> <tr> <th>APPROVED BY</th> <th>DATE</th> </tr> <tr> <td></td> <td></td> </tr> </tbody> </table>	DRAWN BY	DATE	RPACIFIC1	2005/12/22	CHECKED BY	DATE			APPROVED BY	DATE			TITLE SC TYPE ADAPTER							
DRAWN BY	DATE																				
RPACIFIC1	2005/12/22																				
CHECKED BY	DATE																				
APPROVED BY	DATE																				
REV B2	ANGULAR $\pm 1/2^\circ$	DRAFT WHERE APPLICABLE MUST REMAIN WITHIN DIMENSIONS	MATERIAL NO. SEE TABLE	DOCUMENT NO. SD-10616X-X000	MOLEX INCORPORATED SHEET NO. 1 OF 01																

9 8 7 6 5 4 3 2 1