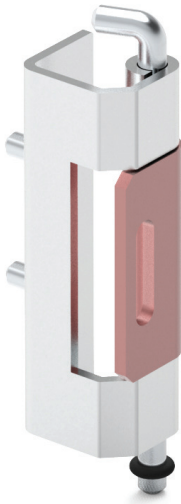


# CONCEALED HINGE

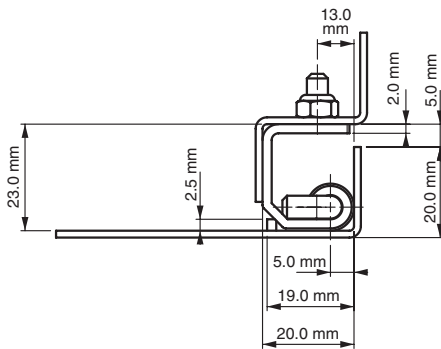
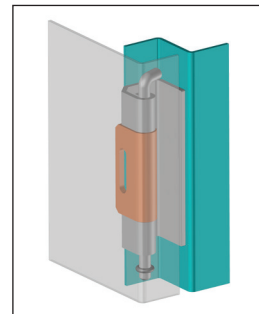
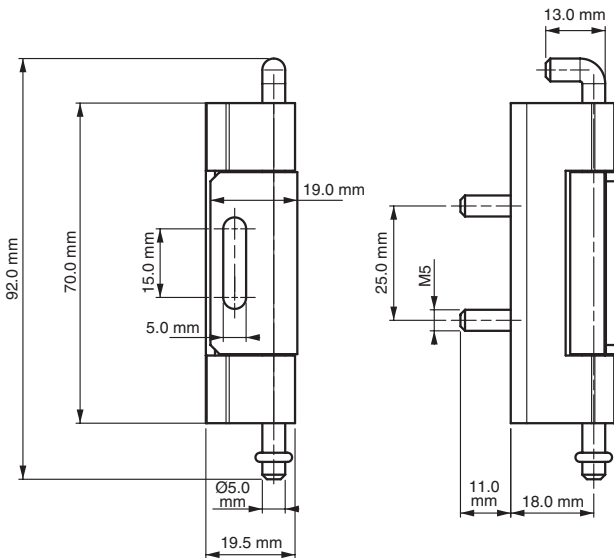


**Specifications**

- **Material:**  
Body / Fixed Part / Pin: Steel
- **Finish:**  
Body: Zinc plated  
Fixed Part: Copper

**Features**

- For doors with a bend of 23 mm
- Easily installs to panel or door profile
- Suitable for left-hand and right-hand application
- Applications: Electric panels, machinery covers



**Hinge Rotation Angle**



Item Number	Hinge Rotation	Material	Finish
109563	110°	Steel	Zinc