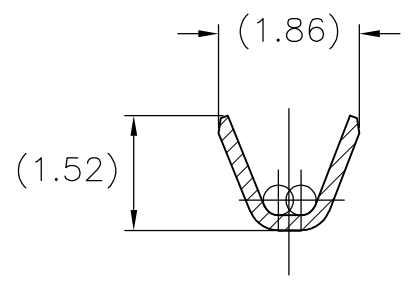
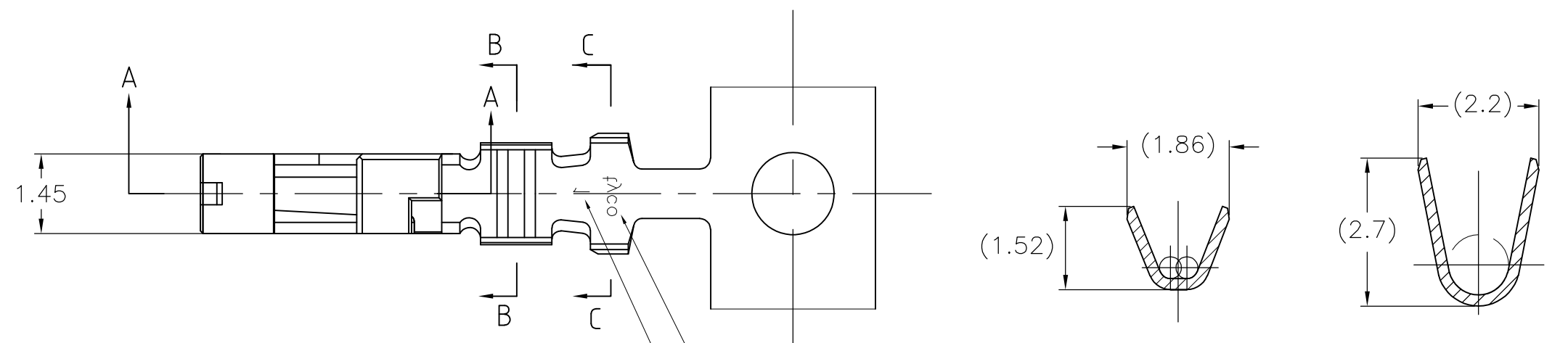
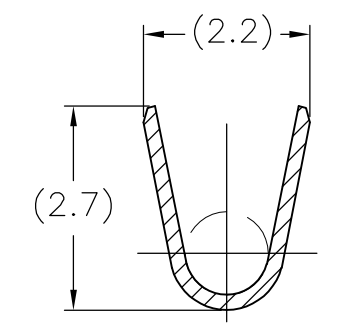


THIS DRAWING IS UNPUBLISHED. RELEASED FOR PUBLICATION  
 © COPYRIGHT - By - ALL RIGHTS RESERVED.

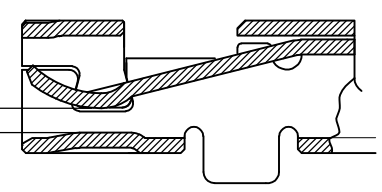
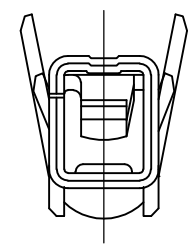
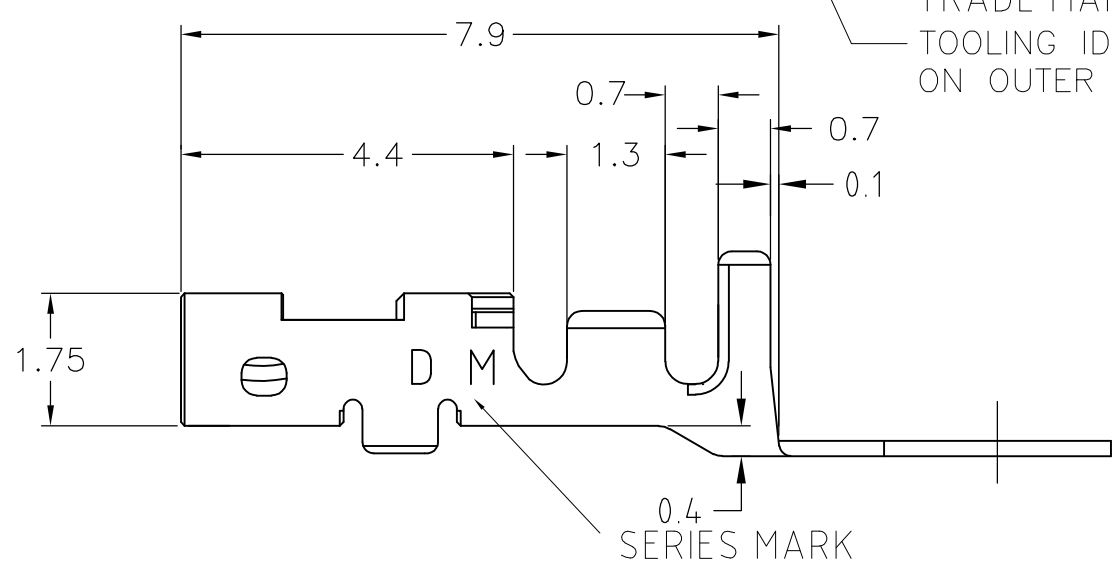
REVISIONS 変更				
P	LTR	DESCRIPTION	DATE	APVD
	F	REVISED PER ECR-15-011723	08AUG2015	Y.O E.T



断面 B-B  
SECT.




断面 C-C  
SECT.



断面 A-A  
SECT.

0.5tタブにかん合  
MATE WITH 0.5t TAB

AWG#28~#22 0.08~0.38mm <sup>2</sup>	φ1.08~φ1.6	COPPER ALLOY, FINISH: CONTACT AREA Au 0.38μm MIN, OVER Ni 1.27μm MIN 材料: 銅合金, 下地: Niめっき1.27μm以上, 接点部: 金めっき0.38μm以上	1827570-2
WIRE RANGE 導体断面積	INSULATION DIA 被覆外径	MATERIAL 材料	PART No. 型番
THIS DRAWING IS A CONTROLLED DOCUMENT.		DWN T.KUDO 04MAR2005	 <b>TE Connectivity</b>  DYNAMIC D1000 SERIES REC CONTACT M TYPE REEL
DIMENSIONS: 単位: 耗 mm		CHK D.MITSUGI 04MAR2005	
TOLERANCES UNLESS OTHERWISE SPECIFIED: 一般公差		APVD D.MITSUGI 04MAR2005	
0 PLQ ± 0.3 1 PLC ± 2 PLC ± 3 PLC ± 4 PLG ± ANGLES ± 3deg		NAME D.MITSUGI	
MATERIAL 材料		FINISH 仕上	PRODUCT SPEC 製品規格 108-78268
		APPLICATION SPEC 取付適用規格 114-5377	SIZE A3
		WEIGHT -	CAGE CODE 00779
		CUSTOMER DRAWING	DRAWING NO 番号 C-1827570
		SCALE 尺度 10:1	RESTRICTED TO -
		SHEET 1 OF 1	REV F