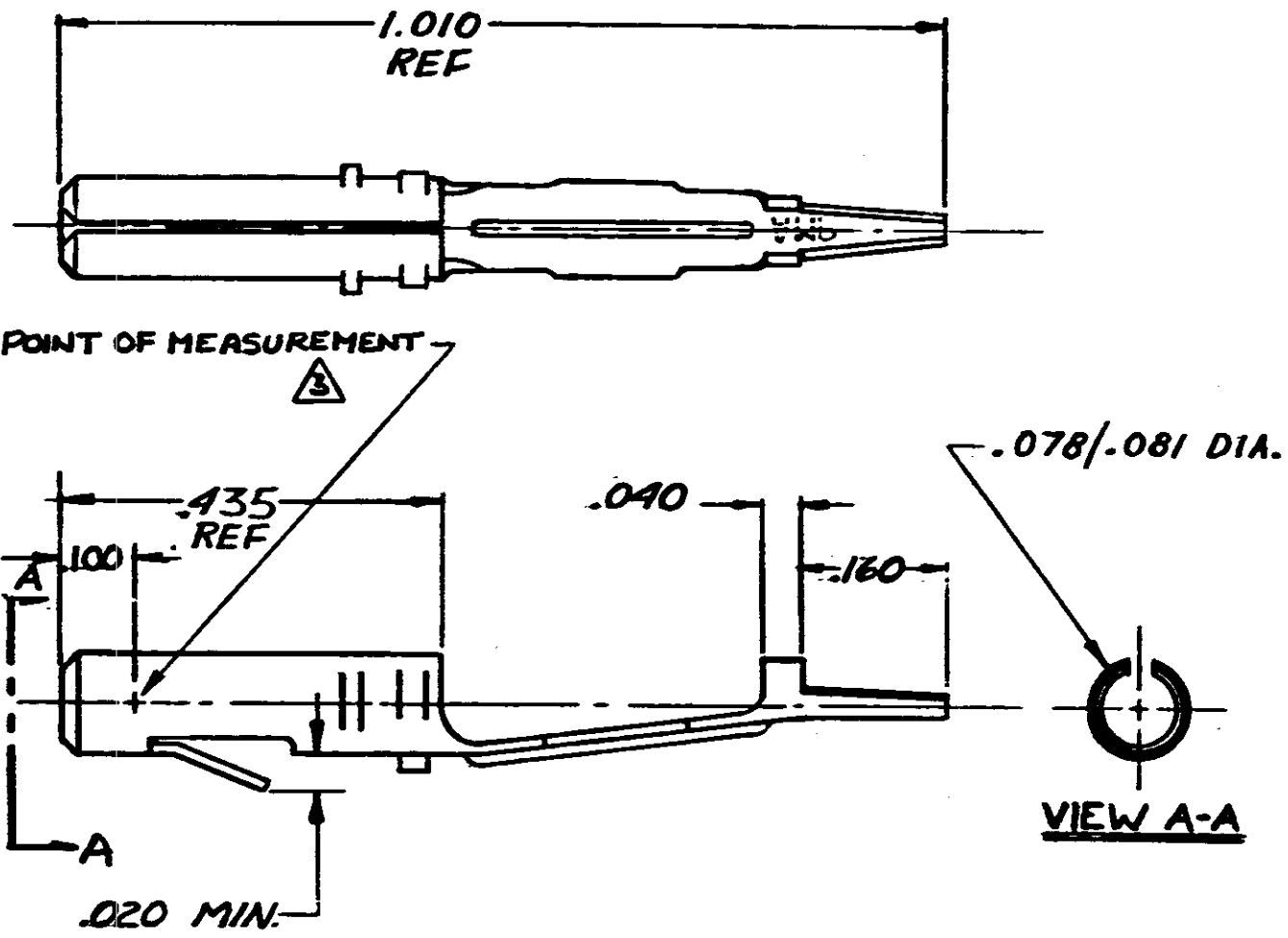


SHEET 1 OF 2
NUMBER 61320



1. TERMINAL SUPPLIED IN INDIVIDUAL FORM, NOT AS CONTINUOUS STRIP.
2. PARTS COMPLY WITH AMP SOLDERABILITY SPEC. NO. 109-11-3
- △ B .000030 GOLD OVER .000050 NICKEL.
- △ 4 OBSOLETE PARTS: OBSOLETE CIS STREAMLINING PER D.RENAUD/D.SINISI

BRIGHT TIN	.012 PH. BRZ	61320-4
GOLD △		61320-2 △
PRE-TIN		61320-1
FINISH	MATERIAL	PART NO

DIMENSIONS IN INCHES. DO NOT SCALE PRINT.

U2	REV PER ECO-10-000445	KK	HMR	JAN 2010
U1	RESTORED	BD	RS	1/15/85
U	REV PER AG-118			1/2/83
T	REV PER AG-25			11/1/82
S	ECN M-7426			6/16/83
R	SMT1 REV. & REDWN	M-7310		1/15/82
-TR	REVIS. C. RECORD	DR	CHK	DATE
DR	4-15-83	DR		
D.B. SATZEL		M.E. TRAVIS		1/21
53				

© 1987 BY AMP INCORPORATED. ALL RIGHTS RESERVED. AMP PRODUCTS COVERED BY PATENTS AND/OR PATENTS PENDING.

CUSTOMER COPY REFERENCE ONLY

MATERIAL AND FINISH
SEE TABLE

AMP AMP INCORPORATED
HARRISBURG, PENNA.

CLASS _____ * _____

WIRE - RANGE - INSULATION TYPE
* * *

TOLERANCE EXCEPT AS NOTED
= .015 = 1" 0'

SCALE 5x1

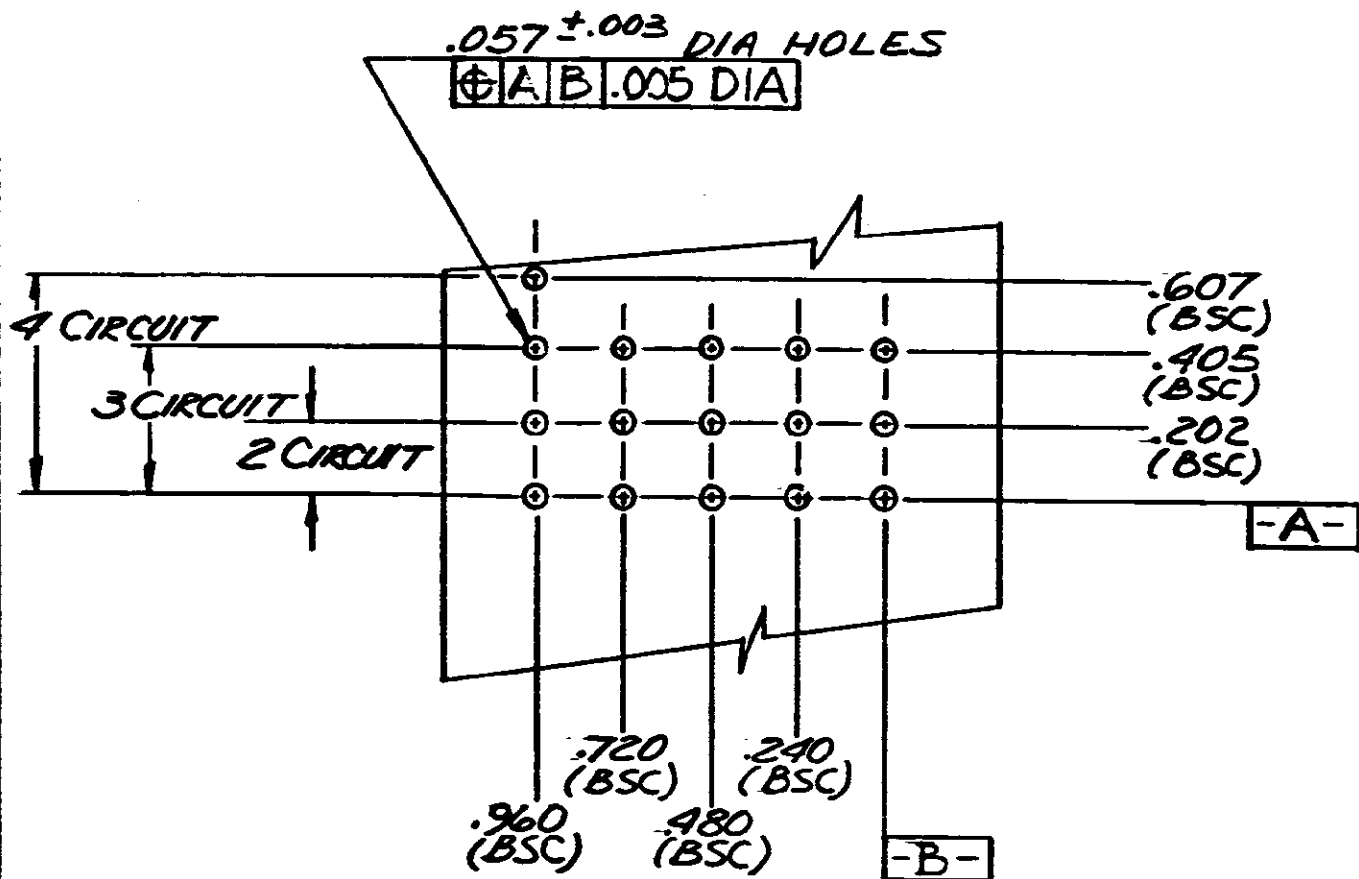
LOC CM, A

NO SHEET OF 2
61320

REV U2

NAME **MATE-N-LOK SOCKET WITH P.C. BOARD TAB**

SHEET 2 OF 2
NUMBER 61320



1. FOR 3, 4, 6, 9, 12, AND 15 CIRCUIT PANEL MOUNT HOUSINGS ONLY.

DIMENSIONS IN INCHES. DO NOT SCALE PRINT.

©1968 BY AMP INCORPORATED. ALL RIGHTS RESERVED. AMP PRODUCTS COVERED BY PATENTS AND/OR PATENTS PENDING

CUSTOMER COPY REFERENCE ONLY

MATERIAL AND FINISH



AMP INCORPORATED
HARRISBURG, PENNSA

CLASS

WIRE — RANGE — INSULATION

TYPE

LTR REVISION RECORD ECN DR DATE

TOLERANCE EXCEPT AS NOTED
= .015 = 1" 0'

SCALE
2-1

LOC
CM

NO SHEET 2 OF 2
61320

REV
U2

DR JIM KUNKLE
6-2-70

CHK'd Jim Kunkle 6-4-70

AP'd Jim Kunkle 6-4-70

NAME RECOMMENDED HOLE LOCATIONS FOR MOUNTING MATE-N-LOK HOUSINGS