

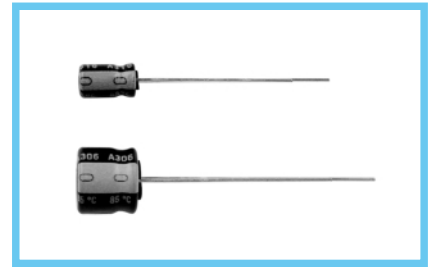
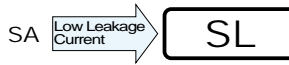
ALUMINUM ELECTROLYTIC CAPACITORS

SL series 7mmL, Low Leakage Current



- Low leakage current series with 7mm height.
- Adapted to the RoHS directive (2002/95/EC).

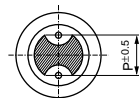
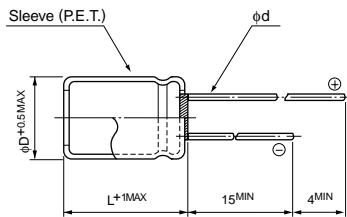
Products which are scheduled to discontinue.
Not recommended for new designs



Specifications

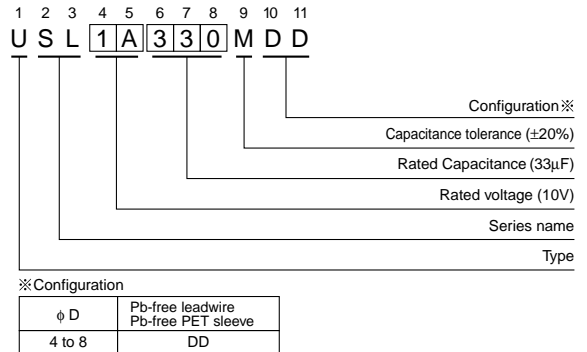
Item	Performance Characteristics																				
Category Temperature Range	-40 to +85°C																				
Rated Voltage Range	6.3 to 50V																				
Rated Capacitance Range	0.1 to 220μF																				
Capacitance Tolerance	±20% at 120Hz, 20°C																				
Leakage Current	After 2 minutes' application of rated voltage, leakage current is not more than 0.002CV or 0.4 (μA), whichever is greater.																				
tan δ	Measurement frequency : 120Hz, Temperature : 20°C																				
	<table border="1"> <tr> <td>Rated voltage (V)</td> <td>6.3</td> <td>10</td> <td>16</td> <td>25</td> <td>35</td> <td>50</td> </tr> <tr> <td>tan δ (MAX.)</td> <td>0.24</td> <td>0.20</td> <td>0.16</td> <td>0.14</td> <td>0.12</td> <td>0.10</td> </tr> </table>	Rated voltage (V)	6.3	10	16	25	35	50	tan δ (MAX.)	0.24	0.20	0.16	0.14	0.12	0.10						
Rated voltage (V)	6.3	10	16	25	35	50															
tan δ (MAX.)	0.24	0.20	0.16	0.14	0.12	0.10															
Stability at Low Temperature	Measurement frequency : 120Hz																				
	<table border="1"> <tr> <td>Rated voltage (V)</td> <td>6.3</td> <td>10</td> <td>16</td> <td>25</td> <td>35</td> <td>50</td> </tr> <tr> <td>Impedance ratio Z-25°C / Z+20°C</td> <td>4</td> <td>3</td> <td>2</td> <td>2</td> <td>2</td> <td>2</td> </tr> <tr> <td>ZT / Z20 (MAX.)</td> <td>8</td> <td>6</td> <td>4</td> <td>4</td> <td>3</td> <td>3</td> </tr> </table>	Rated voltage (V)	6.3	10	16	25	35	50	Impedance ratio Z-25°C / Z+20°C	4	3	2	2	2	2	ZT / Z20 (MAX.)	8	6	4	4	3
Rated voltage (V)	6.3	10	16	25	35	50															
Impedance ratio Z-25°C / Z+20°C	4	3	2	2	2	2															
ZT / Z20 (MAX.)	8	6	4	4	3	3															
Endurance	After 1000 hours' application of rated voltage at 85°C, capacitors meet the characteristic requirements listed at right.																				
	Capacitance change	Within ±20% of initial value																			
	tan δ	200% or less of initial specified value																			
Shelf Life	After storing the capacitors under no load at 85°C for 1000 hours, and after performing voltage treatment based on JIS C 5101-4 clause 4.1 at 20°C, they will meet the specified value for endurance characteristics listed above.																				
	Leakage current	Initial specified value or less																			
Marking	Printed with white color letter on black sleeve.																				

Radial Lead Type



	(mm)			
φD	4	5	6.3	8
P	1.5	2.0	2.5	3.5
φd	0.45	0.45	0.45	0.5

Type numbering system (Example : 10V 33μF)



Dimensions

Cap. (μF)	Code	V		6.3		10		16		25		35		50		
		Code	0J	1A	1C	1E	1V	1H								
0.1	0R1													4 × 7	1.0	
0.22	R22													4 × 7	2.3	
0.33	R33													4 × 7	3.5	
0.47	R47													4 × 7	5.0	
1	010													4 × 7	10	
2.2	2R2													4 × 7	19	
3.3	3R3													4 × 7	24	
4.7	4R7													4 × 7	29	
10	100						4 × 7	29		5 × 7	33		4 × 7	24	5 × 7	29
22	220		4 × 7	34		5 × 7	38		5 × 7	44	6.3 × 7	51	5 × 7	36	6.3 × 7	44
33	330		5 × 7	42		5 × 7	47		6.3 × 7	57	6.3 × 7	63	6.3 × 7	57	8 × 7	65
47	470		5 × 7	50		6.3 × 7	59		6.3 × 7	68	8 × 7	78				
100	101		6.3 × 7	77		8 × 7	96		8 × 7	107						
220	221		8 × 7	130												
														Case size φD × L (mm)	Rated Ripple	

Rated Ripple (mArms) at 85°C 120Hz

Frequency coefficient of rated ripple current

Frequency	50 Hz	120 Hz	300 Hz	1 kHz	10 kHz or more
Coefficient	0.70	1.00	1.17	1.36	1.50

Please refer to page 20, 21, 22 about the formed or taped product spec.
Please refer to page 4 for the minimum order quantity.

CAT.8100W