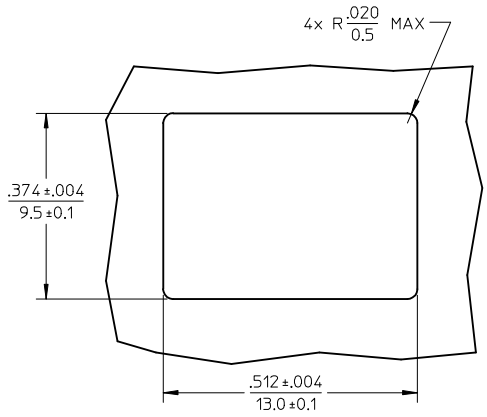
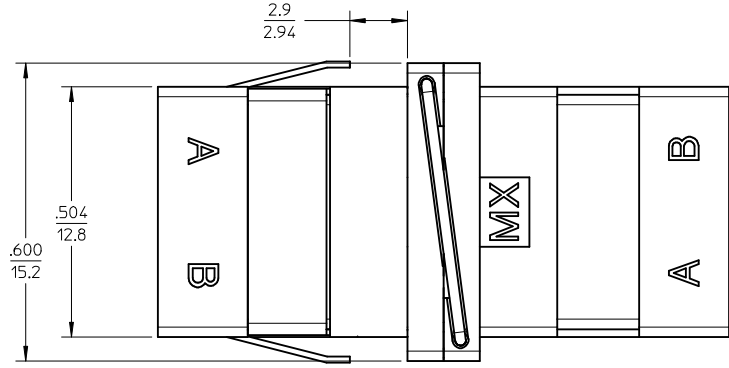
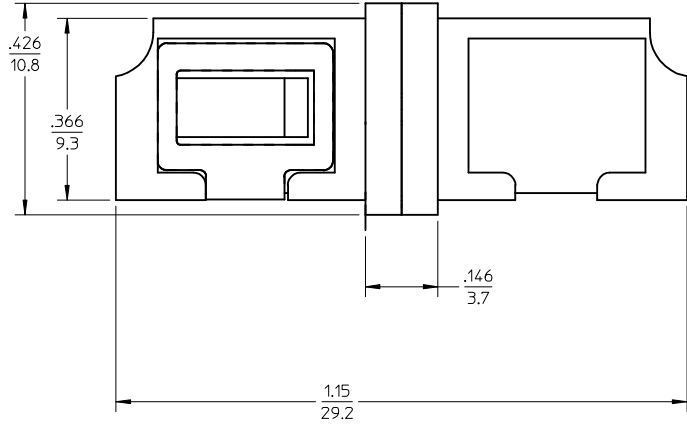
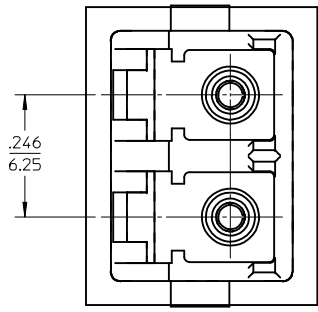
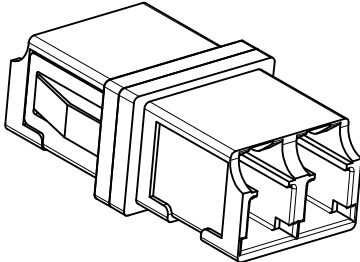


10 9 8 7 6 5 4 3 2 1



RECOMMENDED PANEL CUTOUT



- NOTES:
1. ALL DIMENSIONS ARE FOR REFERENCE ONLY.
 2. PART IS DIECAST.
 3. DUST CAPS NOT SHOWN.
 4. ADAPTER IS PACKED IN TRAY.

ENTER DESCRIPTION EC NO: MF2010-0005 DRW: KPEVZNER 2009/07/17 CHKD: 2009/07/22 APPR: LGUMIN 2009/07/23 REV: A1	QUALITY SYMBOLS ▽=0 ▽=0	GENERAL TOLERANCES (UNLESS SPECIFIED) mm INCH 4 PLACES ± --- ± --- 3 PLACES ± --- ± --- 2 PLACES ± --- ± --- 1 PLACE ± --- ± --- ANGULAR ±1/2°	DIMENSION STYLE IN/MM DRAWN BY DATE PGIBLIN 2005/10/03 CHECKED BY DATE APPROVED BY DATE	SCALE 4:1 DESIGN UNITS INCH THIRD ANGLE PROJECTION	TITLE LC-D EMI ADAPTER W/O GASKET, ZR, METAL MOLEX INCORPORATED
	DRAFT WHERE APPLICABLE MUST REMAIN WITHIN DIMENSIONS		MATERIAL NO. 1061152130 SIZE B	DOCUMENT NO. SD-106115-2130	SHEET NO. 1 OF 1
	THIS DRAWING CONTAINS INFORMATION THAT IS PROPRIETARY TO MOLEX INCORPORATED AND SHOULD NOT BE USED WITHOUT WRITTEN PERMISSION				
	Molex MOLEX INCORPORATED				

9 8 7 6 5 4 3 2 1