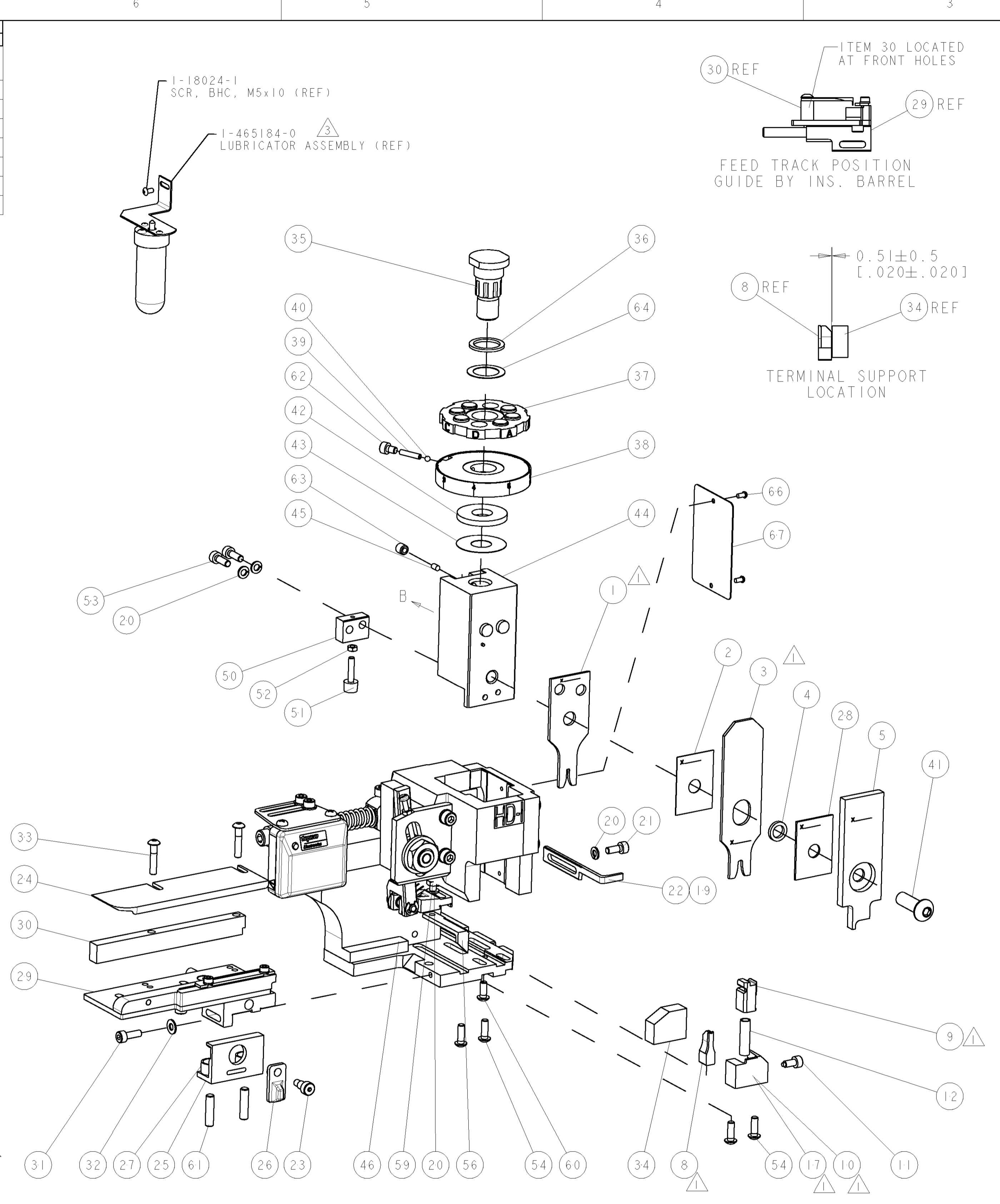
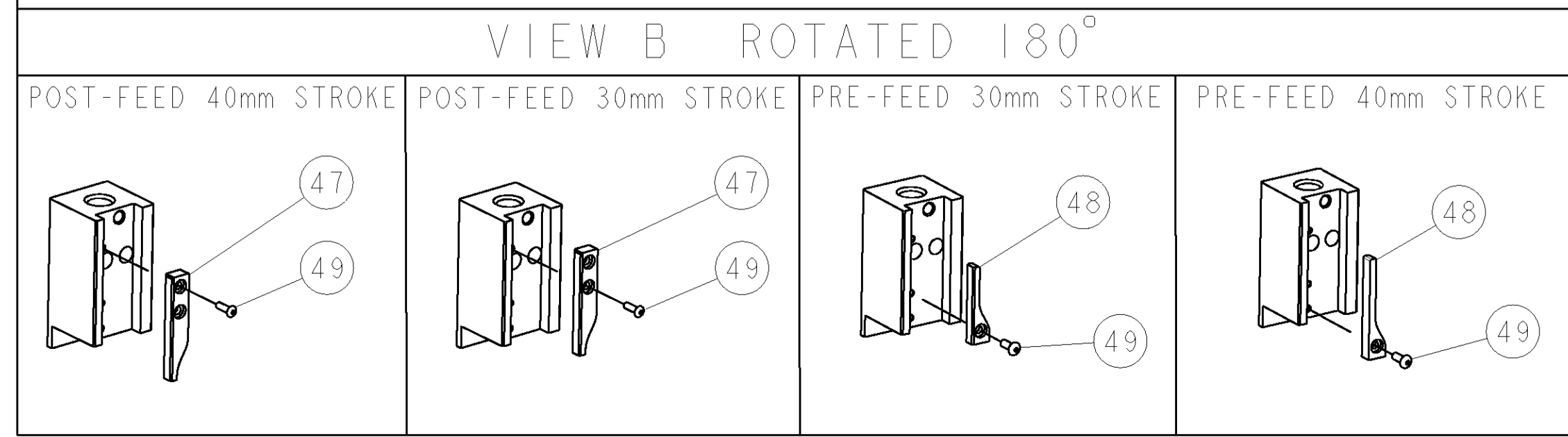


PART NUMBER	REV	TERMINATOR	FEED TYPE	DESCRIPTION
1426652-1	A	LEADMAKER	MECH POST FEED	CUTS CARRIER
1426652-2	A	BENCH	MECH PRE FEED	CUTS CARRIER
1426652-6	A	LEADMAKER	MECH POST FEED	CONTINUOUS CARRIER
7-1426652-1	A	LEADMAKER	MECH POST FEED	-1 AND SPARE PARTS
7-1426652-2	A	BENCH	MECH PRE FEED	-2 AND SPARE PARTS
7-1426652-6	A	LEADMAKER	MECH POST FEED	-6 AND SPARE PARTS
7-1426652-7	A	-	-	SPARE PARTS KIT

CRIMP DATA		JST TERMINAL		TE CRIMP SPECS	
TERMINAL NAME: EL CONNECTOR CONTACT					
CRIMP	SIZE	TYPE	RANGE		
WIRE	1.78 [0.070 IN]	F	0.50-1.25mm ² or 20-16 AWG		
INSUL	3.30 [0.130 IN]	OV	1.30-3.40 [0.051-.134 IN]		
WIRE STRIP LENGTH		APPL INSTRUCTIONS			
2.54-3.34 [0.100-.131 IN]		408-8322			
TERMINAL APPL SPEC		NONE	FEED		
		-	10.80 [4.425 IN]		
TERMINALS APPLIED					
PIN CONTACT			SOCKET CONTACT		
TE TERM PN	MANUF TERM PN	TE TERM PN	MANUF TERM PN		
1949563-1	SLM-41T-PI.3E	1949564-1	SLF-41T-PI.3E		
-	-	-	-		
-	-	-	-		
WIRE SIZE	CRIMP HEIGHT	PINPN & LENGTH [IN]			
1.25mm ² or 16AWG	1.35 ± 0.05 [0.053 ± 0.002 IN]	7-354778-0 [0.2845]			
1.00mm ² or 18AWG	1.14 ± 0.05 [0.045 ± 0.002 IN]	8-354778-7 [0.2930]			
0.50mm ² or 20AWG	0.97 ± 0.05 [0.038 ± 0.002 IN]	354779-2 [0.3000]			

- RECOMMENDED SPARE PARTS.
- GREASE RAM, CAM, CAM FOLLOWER AND FEED ROD LIGHTLY.
- CERTAIN TERMINALS REQUIRE LUBRICATION. REFER TO THE APPLICATOR INSTRUCTION SHEET FOR MORE INFORMATION.
- LUBRICATE DAILY PER THE APPLICATOR INSTRUCTION SHEET SUPPLIED WITH THE APPLICATOR.
- ALL CRIMP DATA CALCULATED BY TYCO ELECTRONICS UK LTD.
- ACHIEVABLE TENSILE VALUE FOR 1.25mm² / 16 AWG IS 80 N.



SET UP GAGE 458637-3		LOC	DIST	REVISONS					
A	66	P	LTR	DESCRIPTION	DATE	BY	APPD		
		A		SEE ECO-07-027719	21NOV2007	LJL	MC		
-	-	-	-	-	-	-	73		
-	-	-	-	-	-	-	72		
-	1	1	1	1	1	1	1338705-1		
-	-	-	-	-	-	-	DOCUMENTATION PACKAGE		
-	-	-	-	-	-	-	70		
-	-	-	-	-	-	-	69		
-	-	-	-	-	-	-	68		
-	1	1	1	1	1	1	461264-1		
-	2	2	2	2	2	2	21017-2		
-	-	-	-	-	-	-	PLATE, IDENTIFICATION		
-	-	-	-	-	-	-	66		
-	-	-	-	-	-	-	65		
-	1	1	1	1	1	1	986950-1		
-	1	1	1	1	1	1	3-18031-0		
-	1	1	1	1	1	1	18023-9		
-	2	2	2	2	2	2	2-18032-5		
-	1	1	1	1	1	1	18024-7		
-	1	1	1	1	1	1	5-18022-2		
-	-	-	-	-	-	-	SCR, SET, CUP POINT M6 X 6.0		
-	-	-	-	-	-	-	64		
-	-	-	-	-	-	-	63		
-	-	-	-	-	-	-	62		
-	-	-	-	-	-	-	61		
-	-	-	-	-	-	-	60		
-	-	-	-	-	-	-	59		
-	-	-	-	-	-	-	58		
-	-	-	-	-	-	-	57		
-	1	1	1	1	1	1	1338685-1		
-	-	-	-	-	-	-	PAWL, FEED		
-	-	-	-	-	-	-	56		
-	-	-	-	-	-	-	55		
-	4	4	4	4	4	4	18024-8		
-	2	2	2	2	2	2	1-18023-2		
-	1	1	1	1	1	1	18030-1		
-	1	1	1	1	1	1	811242-5		
-	1	1	1	1	1	1	690753-2		
-	1	1	1	1	1	1	18024-3		
-	-	-	-	-	-	-	SCR, BTN SKT HD CAP (M4 X 12.0)		
-	-	-	-	-	-	-	54		
-	-	-	-	-	-	-	53		
-	1	1	1	1	1	1	18030-1		
-	1	1	1	1	1	1	811242-5		
-	1	1	1	1	1	1	690753-2		
-	1	1	1	1	1	1	18024-3		
-	-	-	-	-	-	-	SCR, BTN SKT HD CAP (M3 X 10.0)		
-	-	-	-	-	-	-	49		
-	-	-	-	-	-	-	48		
-	-	-	-	-	-	-	47		
-	-	-	-	-	-	-	46		
-	-	-	-	-	-	-	45		
-	-	-	-	-	-	-	44		
-	-	-	-	-	-	-	43		
-	-	-	-	-	-	-	42		
-	-	-	-	-	-	-	41		
-	-	-	-	-	-	-	40		
-	-	-	-	-	-	-	39		
-	-	-	-	-	-	-	38		
-	-	-	-	-	-	-	37		
-	-	-	-	-	-	-	36		
-	-	-	-	-	-	-	35		
-	-	-	-	-	-	-	34		
-	-	-	-	-	-	-	33		
-	-	-	-	-	-	-	32		
-	-	-	-	-	-	-	31		
-	-	-	-	-	-	-	30		
-	-	-	-	-	-	-	29		
-	-	-	-	-	-	-	28		
-	-	-	-	-	-	-	27		
-	-	-	-	-	-	-	26		
-	-	-	-	-	-	-	25		
-	-	-	-	-	-	-	24		
-	-	-	-	-	-	-	23		
-	-	-	-	-	-	-	22		
-	-	-	-	-	-	-	21		
-	-	-	-	-	-	-	20		
-	-	-	-	-	-	-	19		
-	-	-	-	-	-	-	18		
-	-	-	-	-	-	-	17		
-	-	-	-	-	-	-	16		
-	-	-	-	-	-	-	15		
-	-	-	-	-	-	-	14		
-	-	-	-	-	-	-	13		
-	-	-	-	-	-	-	12		
-	-	-	-	-	-	-	11		
-	-	-	-	-	-	-	10		
-	-	-	-	-	-	-	9		
-	-	-	-	-	-	-	8		
-	-	-	-	-	-	-	7		
-	-	-	-	-	-	-	6		
-	-	-	-	-	-	-	5		
-	-	-	-	-	-	-	4		
-	-	-	-	-	-	-	3		
-	-	-	-	-	-	-	2		
-	-	-	-	-	-	-	1		
-77	-76	-72	-71	-6	-2	-1	PART NO	DESCRIPTION	ITEM NO
-	-	-	-	-	-	-	-	-	84
-	-	-	-	-	-	-	-	-	83
-	-	-	-	-	-	-	-	-	82
-	-	-	-	-	-	-	-	-	81
-	-	-	-	-	-	-	-	-	80
-	-	-	-	-	-	-	-	-	79
-	-	-	-	-	-	-	-	-	78
-	-	-	-	-	-	-	-	-	77
-	-	-	-	-	-	-	-	-	76
-	-	-	-	-	-	-	-	-	75
-	-	-	-	-	-	-	-	-	74
-77	-76	-72	-71	-6	-2	-1	PART NO	DESCRIPTION	ITEM NO