

497AJX Small Particle Collection Vacuum

Operation and Maintenance



Made in the
United States of America



Figure 1. [497AJX](#) Small Particle Collection Vacuum.

Description

The 497AJX Small Particle Collection Vacuum is designed for small particle collection. Portability, quick setup and efficient and safe operation are key features of this vacuum. It contains a one horsepower, six amp motor. The 497AJX Small Particle Collection Vacuum comes with a detachable power cord and plastic hose (approximately 15 feet). The 497AJX Small Particle Collection Filter FF-1 includes a single-use disposable filter, storage bag and end cap (available separately).

Packaging

- 1 [497AJX](#) Vacuum
- 1 [SV-SH51](#) 15 Foot Hose Assembly
- 1 15 Foot Power Cord

Grounding Instructions

This 497AJX Vacuum is for use on a nominal 120 volt circuit and has a grounding plug. Make sure the 497AJX is connected to an outlet having the same configuration as the plug. No adapter should be used with this Vacuum. Any service on the 497AJX should be performed by an authorized service representative.

Warning: Improper connection of the equipment-grounding conductor can result in the risk of electric shock. Check with a qualified electrician or service person if you are in doubt as to whether the outlet is properly grounded. Do not modify the plug provided with the appliance. If the plug does not fit the outlet, have a proper outlet installed by a qualified electrician.

Specifications

Electrical	120VAC, 50/60Hz, 6.0amps
Motor	1 Horsepower
Dimensions	17.8" L x 7.8" W x 9.3" H (45.2 cm L x 19.7 cm W x 23.5 cm H)
Weight	11 lbs.
Certification	cULus

To Operate

1. Release latches and open lid.
2. Unfasten accessory door and remove vacuum hose, electrical cord and hose attachments.
3. Remove filter plug from vacuum inlet (always replace when repacking for transport).
4. Attach selected accessory to hose. Insert other end of hose into inlet.
5. Place remaining accessory and filter plug in lid. Close lid.
6. Latch lid securely.
7. Insert hooded end of power cord in power cord receptacle on vacuum.
8. Plug cord into power outlet.
9. Turn on power switch.

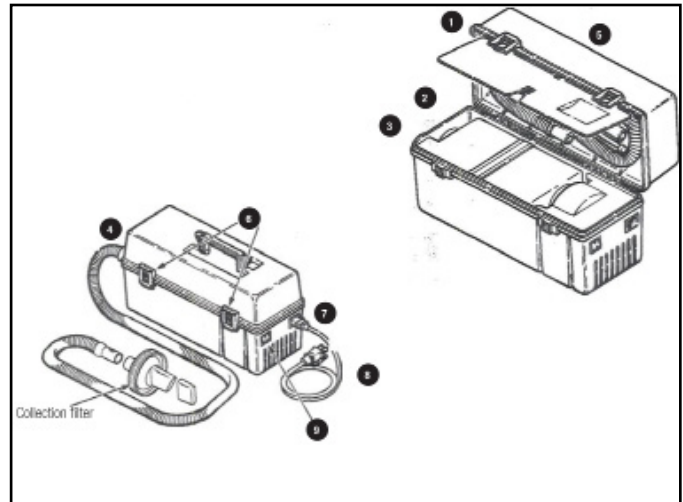


Figure 2. How to operate the [497AJX](#) Small Particle Collection Vacuum.

Small Particle Collection Filter FF-1 Instructions

The FF-1 Small Particle Collection Filter and Storage Bag are designed for sample collection. For the most efficient operation, use the filter unit only with the 497AJX Small Particle Collection Vacuum.

Note: The 497AJX Small Particle Collection Vacuum FF-1 is intended for one-time use only. Re-use of the filter unit may result in contamination of the collected samples.

Instructions for collection of sample:

1. Open bag by detaching numbered receipt along perforation. Retain receipt for your records.
2. Remove the clean filter unit from the storage bag. Retain the storage bag to store filter after sample is collected.
3. Tamper-proof tape is used to join the filter halves. To ensure the integrity of collected sample, do not remove tape before use. Removal of the tape seal before sample collection voids filter use.
4. Remove black end cap and round plug from the filter and retain for future use.
5. Attach the round end of the filter to the hose of the 497AJX Small Particle Collection Vacuum and use for sample collection.
6. After collecting sample, replace the black end cap and round plug to seal the filter and ensure the integrity of the collected sample.
7. Record required information on the outside of the storage bag.
8. Place the filter unit into the storage bag and seal using the self-adhering strip.
9. Forward to site of sample inspection.

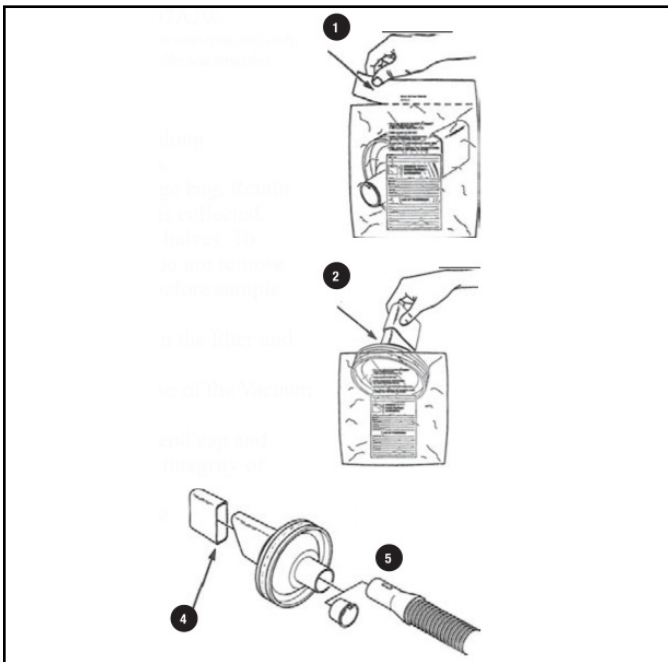


Figure 3. How to replace [497AJX](#) Small Particle Collection Vacuum Filter.

To Replace Filter

The 497AJX Vacuum is designed for use with disposable SCS Filters. The filters must be replaced on a regular basis. Frequency of filter replacement depends on the type and frequency of use of the 497AJX.

1. Release the latches and open the lid.
2. Remove red filter plug or hose. Save the plug for use later (see WEEE Statement).
3. Grasp the filter on each side by using the circular indentations. Pull filter straight up by both ends.
4. Insert the red filter plug in the filter.
5. Dispose of the filter in a suitable manner.
6. Remove the red plug from the new filter and position filter in the vacuum with the filter hole to your left. Save the red plug for use in disposing of the filter (see WEEE Statement).
7. Verify that the gasket between the filter and the motor fits tightly.
8. Insert the red filter plug or hose.
9. Close and latch the lid.

To Store Attachments for Transport

1. Unplug the power cord from the outlet and vacuum.
2. Open the lid and retrieve the filter plug.
3. Remove the hose from the inlet and insert the filter plug.
4. Detach the hose nozzle from the base.
5. Place the hose, power cord and attachments into the lid and close the accessory door.
6. Close the lid and securely fasten the latches.

Safety Information

Warning: TO REDUCE THE RISK OF FIRE, ELECTRIC SHOCK OR INJURY, FOLLOW THESE SAFETY RULES:

1. Use only as described in this manual. Use only manufacturer's recommended attachments.
2. Do not use this machine to vacuum hazardous dust, flammable or combustible liquids, such as gasoline.
3. Connect to a properly grounded outlet only. See Grounding instructions.
4. Do not use without filter in place.
5. Do not leave appliance plugged in when not in use. Unplug from the outlet when not in use and before servicing.
6. Turn off all controls before unplugging
7. Do not unplug by pulling on the cord. To unplug, grasp the plug, not the cord.
8. Do not handle the plug or appliance with wet hands.
9. Do not use appliance outdoors or on wet surfaces. Electrical shock could occur.
10. Do not use with damaged cord or plug. If appliance is not working as it should, has been dropped or damaged, left outdoors, or dropped in water, discontinue use.

11. Do not pull or carry by cord, use cord as a handle, close door on cord or pull cord around sharp edges and corners. Keep cord away from heated surfaces.
12. Do not put any object into openings. Do not use with any opening that is blocked.
13. Keep hair, loose clothing, fingers and all body parts away from openings and moving parts.
14. Do not pick up anything that is burning or smoking, such as cigarettes, matches or hot ashes.
15. Do not use to pick up flammable or combustible liquids, such as gasoline, and do not use in areas where these may be present.
16. Do not allow to be used as a toy. Close attention is necessary when used near children.

Electric shock could occur if used outdoors or on wet surfaces.


Caution: To avoid risk of fire, filter must be installed properly and replaced regularly. Do not open filter, reuse filter or attempt to replace components within filter.

Regulatory Information

cULus Statement

Meets cULus requirements.

WEEE Statement

The following information is only for EU-member States: The mark shown to the right  is in compliance with Waste Electrical and Electronic Equipment Directive 2002/96/EC (WEEE). The mark indicates the requirement NOT to dispose the equipment as unsorted municipal waste, but use the return and collection systems according to local law.

Dispose of HEPA filter and vacuum components properly according to applicable local, state and federal laws.

Limited Warranty, Warranty Exclusions, Limit of Liability and RMA Request Instructions

See the SCS Warranty -

<http://staticcontrol.descoindustries.com/warranty.aspx>