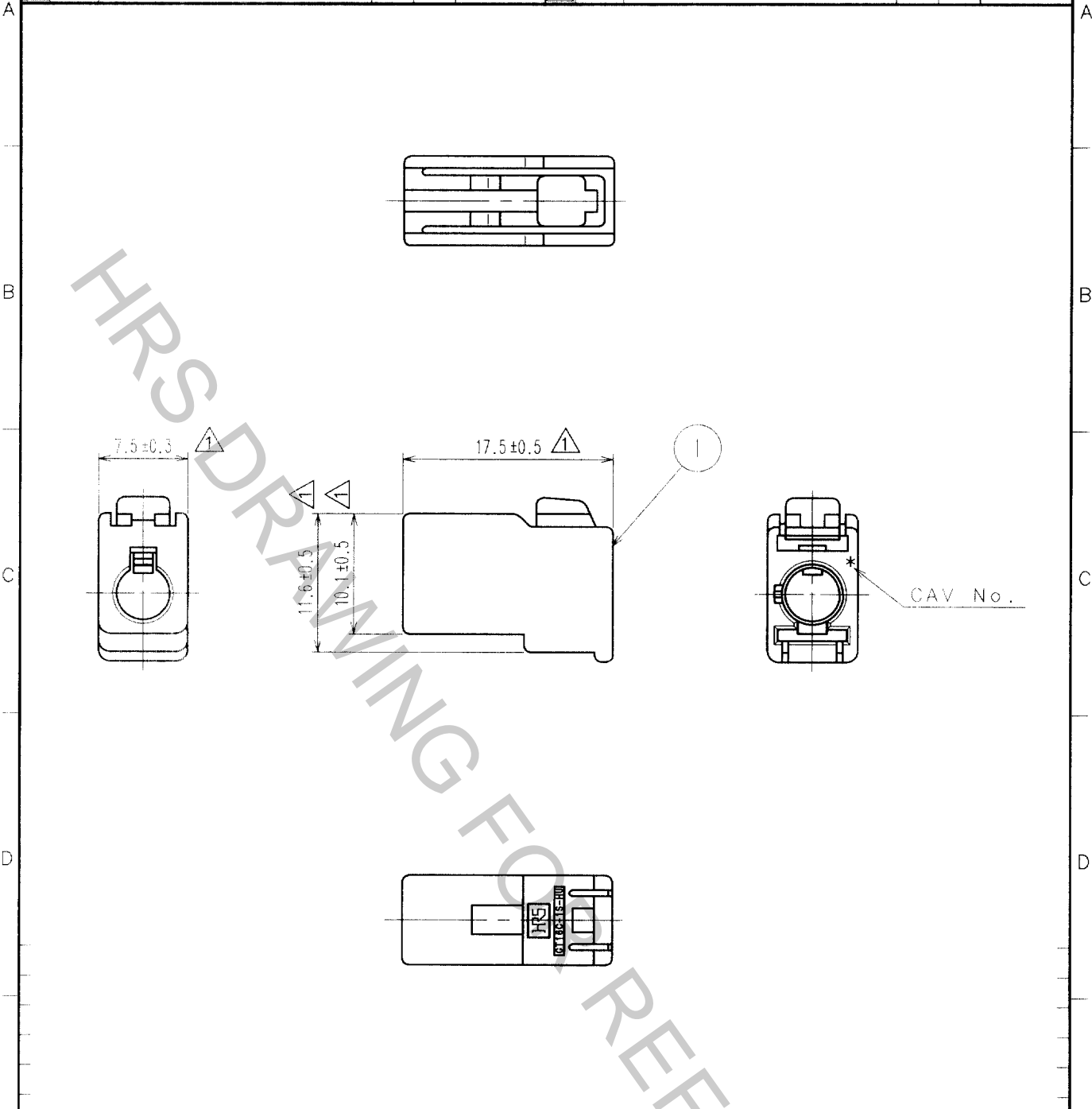


Apr.1.2017 Copyright 2017 HIROSE ELECTRIC CO., LTD. All Rights Reserved.

| COUNT | DESCRIPTION OF REVISIONS | BY  | CHKD | DATE    | COUNT | DESCRIPTION OF REVISIONS | BY | CHKD | DATE |
|-------|--------------------------|-----|------|---------|-------|--------------------------|----|------|------|
| 4     | RE-T-00744               | T.S | M.O  | 02.6.11 |       |                          |    |      |      |
|       |                          |     |      |         |       |                          |    |      |      |
|       |                          |     |      |         |       |                          |    |      |      |



NOTE1. THIS CONNECTOR SHALL BE USED WITH A RETAINER (CL766-0011-6).

| NO. | MATERIAL | FINISH, REMARKS | NO. | MATERIAL | FINISH, REMARKS |
|-----|----------|-----------------|-----|----------|-----------------|
| 1   | PBT      | LIHGT GRAY      |     |          |                 |

| CODE NO. (OLD) | DRAWN        | DESIGNED     | CHECKED   | APPROVED  | RELEASED |
|----------------|--------------|--------------|-----------|-----------|----------|
|                | T.SHISHIKURA | T.SHISHIKURA | M.OKADA   | K.SATO    |          |
|                | '02 .5 .7    | '02 .5 .7    | '02 .5 .8 | '02 .5 .8 |          |

|    |
|----|
| TO |
|    |
|    |
|    |

|  |  |  |            |
|--|--|--|------------|
| <p>SACLE<br/>2 : 1</p> <p>UNITS<br/>mm</p> | <p>DRAWING NO.<br/>EDC4-165885</p> <p>HIROSE ELECTRIC CO.,LTD.</p> | <p>PART NO.<br/>GT16C-1S-HU</p> <p>CODE NO.<br/>CL766-0010-3</p> | <p>1/1</p> |
|--|--|--|------------|