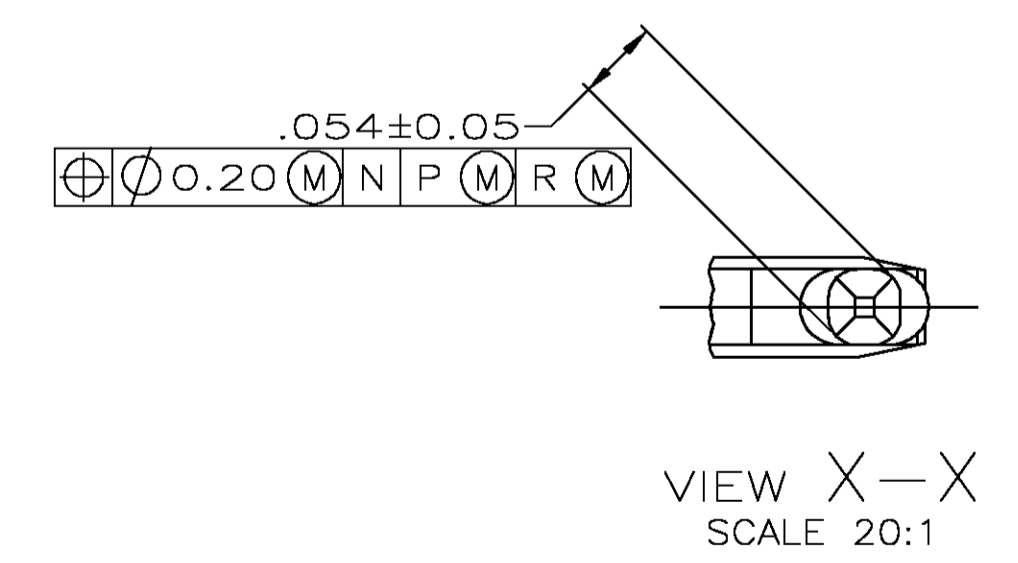
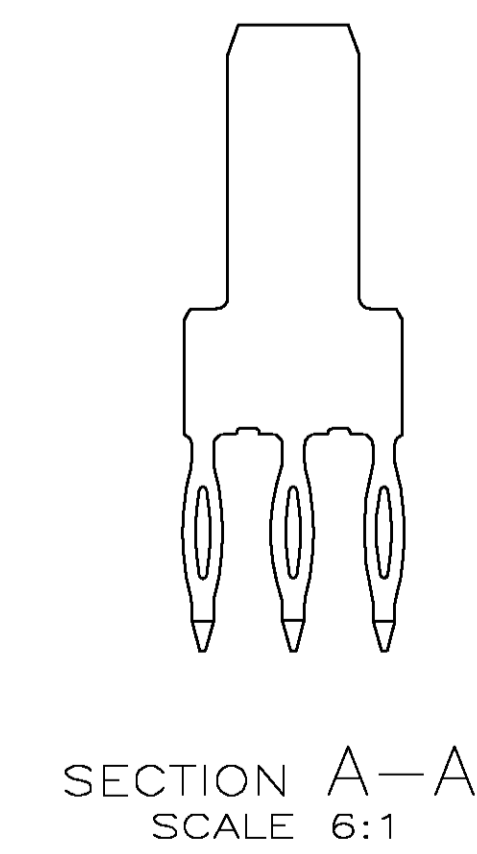
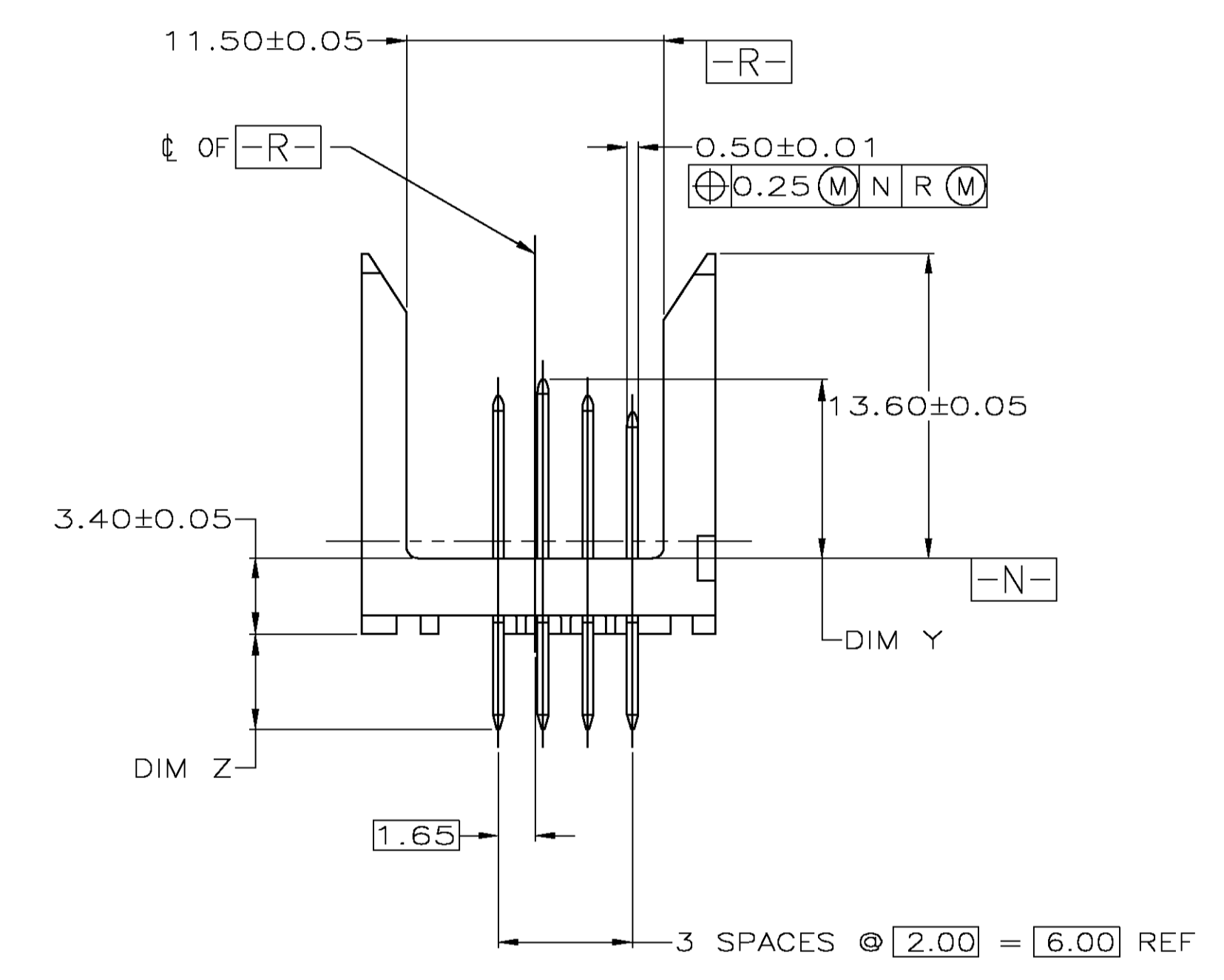


RECOMMENDED CIRCUIT PATTERN
 PER IPC-D300 TYPE II, CLASS C
 (COMPONENT SIDE)

AA	6.50	4.25
AC	8.00	4.25
AB	7.25	4.25
LETTER CODE	DIM Y	DIM Z

D	AA	AA	D				
C	AB	AB	C				
B	AC	AC	B				
A	AB	AB	A				
ROW	1	2	3	4	5	6	ROW
POSITION							
CONTACT LOAD CHART							

- △ HOUSING MATERIAL: LIQUID CRYSTAL POLYMER.
COLOR: NATURAL.
- △ CONTACT MATERIAL: PHOSPHOR BRONZE.
- △ CONTACT FINISH:(D)
UNDERPLATE (ENTIRE CONTACT):
0.00127 MIN NICKEL PER SAE-AMS-QQ-N-290
ON MATING SURFACES:
FLASH GOLD PER ASTM B 488, OVER
0.00076 MIN PALLADIUM-NICKEL OVER UNDERPLATE, OR
0.00076 MIN GOLD PER ASTM B 488 OVER UNDERPLATE.
ON LEADS:
0.00127 MIN MATTE TIN PER ASTM B 545 OVER UNDERPLATE.
LUBRICATION (MIN MATING SURFACES):
SURFACE CONDITIONER AFTER PLATING.
- △ PART MARKING LOCATED APPROXIMATELY AS SHOWN.



THIS DRAWING IS A CONTROLLED DOCUMENT.

DIMENSIONS: mm	TOLERANCES UNLESS OTHERWISE SPECIFIED:	DIN T. SHUEY 6-30-98	APVD D. KOVALICK 7-1-98	NAME D. KOVALICK 7-1-98	TYCO Electronics Tyco Electronics Corporation Harrisburg, Pa 17105-3608
0 PLC ± -	1 PLC ± -	2 PLC ± 0.13	3 PLC ± -	4 PLC ± -	ANGLES ± -
MATERIAL	FINISH	SIZE	CAGE CODE	DRAWING NO	RESTRICTED TO
		A1	00779	5536677	
CUSTOMER DRAWING				SCALE 4:1	SHEET 1 OF 1