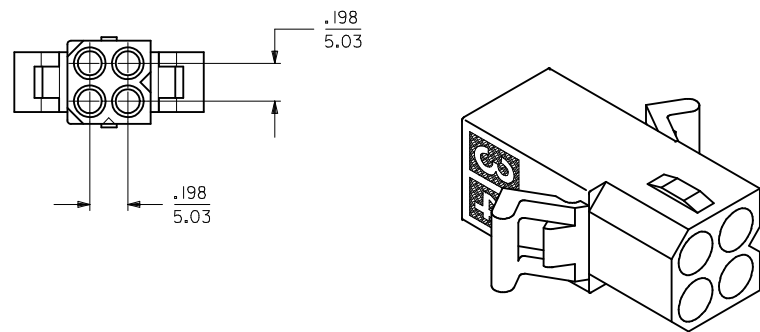
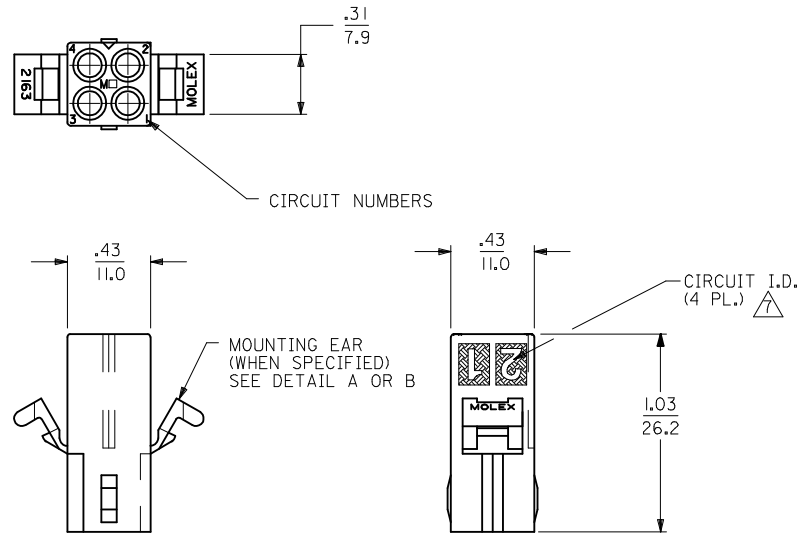
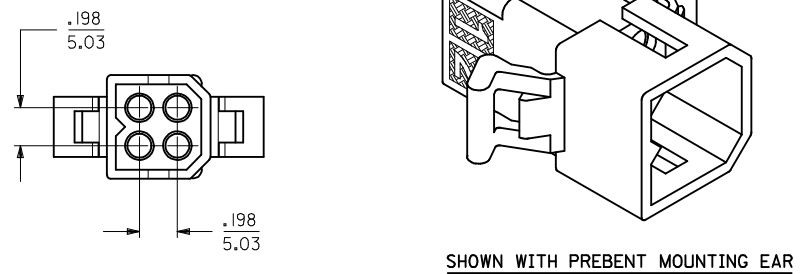
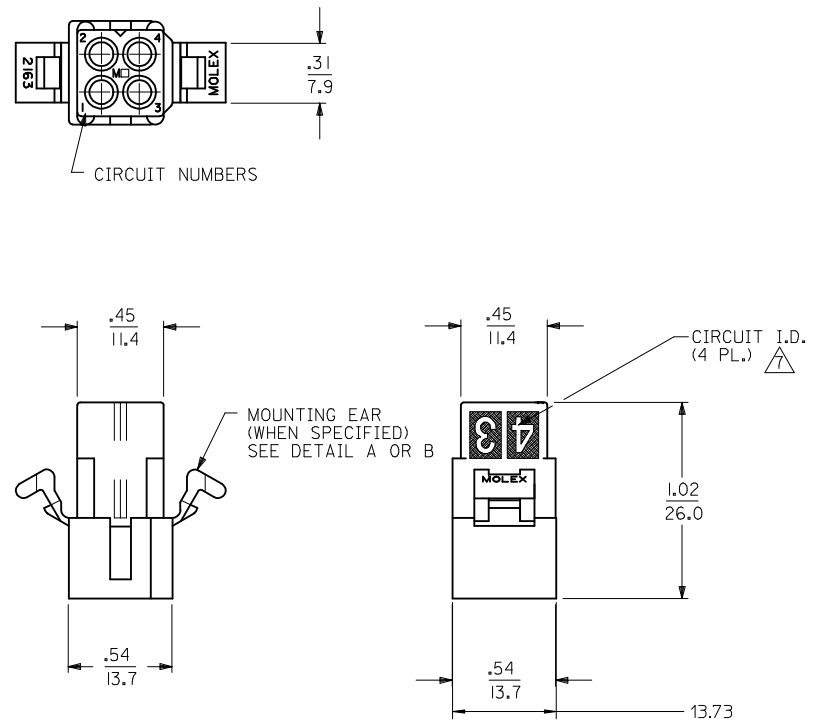


# RECEPTACLE



# PLUG



<b>ADD PART NUMBERS</b> EC NO: UCP2015-0637 DRAWN: KIPPER 2014/08/13 CHKD: NGUYEN 2014/08/13 APPR: FSMITH 2014/10/10	QUALITY SYMBOLS ▽=0 ▽=0 ▽=0	GENERAL TOLERANCES (UNLESS SPECIFIED)		DIMENSION STYLE IN/MM	SCALE 2:1	DESIGN UNITS INCH	THIRD ANGLE PROJECTION
		4 PLACES ± --- ± --- 3 PLACES ± --- ± .010 2 PLACES ± 0.25 ± .014 1 PLACE ± 0.35 ± --- 0 PLACE ± --- ± ---	mm INCH DRAWN BY DATE KBW 02/03/89 CHECKED BY DATE RW 02/03/89 APPROVED BY DATE FSMITH 2014/06/23	TITLE .093/(2.36) HOUSINGS PLUG & RECEPTACLE 4 CKT., .198/(5.03) CL		MATERIAL NO. SEE CHART	DOCUMENT NO. SD-2163-*
J1	DESCRIPTION DRAFT WHERE APPLICABLE MUST REMAIN WITHIN DIMENSIONS	ANGULAR ± --- °		THIS DRAWING CONTAINS INFORMATION THAT IS PROPRIETARY TO MOLEX INCORPORATED AND SHOULD NOT BE USED WITHOUT WRITTEN PERMISSION			

PLUG	
ORDER NO	ENG NO
03-09-2040	2163-P
03-09-2049	2163-PI
46999-0652	2163-P2

RECEPTACLE	
ORDER NO	ENG NO
03-09-1040	2163-R
03-09-1049	2163-R1
03-09-6049	2163-R1BK
46999-0653	2163-R2

**LEGEND:**

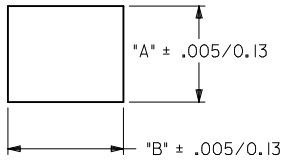
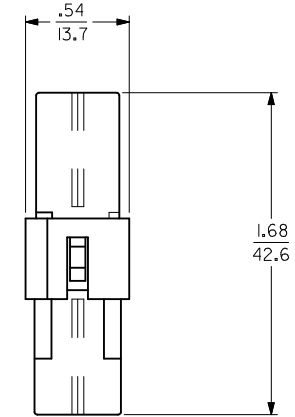
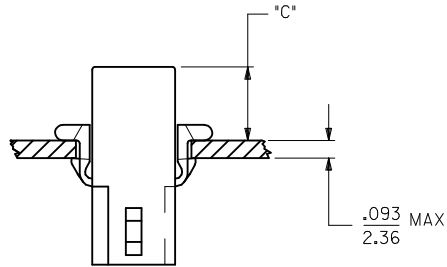
P = PLUG  
R = RECEPTACLE

BLANK = WITH STANDARD EARS  
1 = WITHOUT EARS  
2 = WITH PREBENT EARS  
3 = OBSOLETE  
4 = OBSOLETE

**COLOR:**

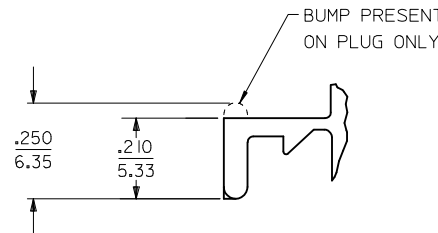
BLANK = NATURAL COLOR  
AM = AMBER BK = BLACK BU = BLUE  
BN = BROWN GY = GRAY GN = GREEN  
OR = ORANGE RD = RED YW = YELLOW  
UV = BLACK UV RESISTANT

2163-\*\*\*\*



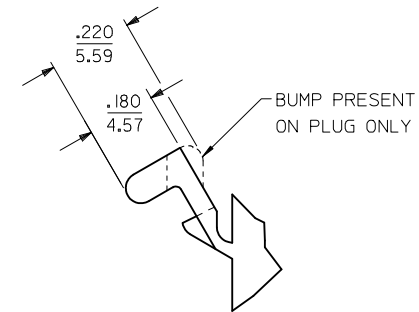
**RECOMMENDED PANEL OPENING**

HOUSING	DIM. "A"	DIM. "B"	"C" PREBENT EAR	"C" STANDARD EAR
PLUG	.555/14.10	.695/17.65	.42/10.7	.38/9.7
RECEPT.	.500/12.70	.600/15.24	.40/10.2	.37/9.4



**DETAIL A**

.093/(2.36) STANDARD MOUNTING EAR  
(SCALE 4:1)



**DETAIL B**

.093/(2.36) PREBENT MOUNTING EAR  
(SCALE 4:1)

**NOTES:**

- MATERIAL: NYLON 6/6 (PA), UL 94V-2.
- FINISH: NONE.
- PRODUCT SPECIFICATION: PS-02-09 APPLIES.
- PARTS TO BE PACKAGED PER PK-2163-001
- MATES WITH: SERIES 2163.
- ACCEPTS MOLEX .093 SERIES TERMINALS.
- CIRCUIT I.D. NUMBERS ON HOUSING APPEAR ON PARTS FROM TOOLS BUILT AFTER 7/22/91.
- PARTS CONFORM TO CLASS B REQUIREMENTS OF COSMETIC SPECIFICATION PS-45499-002

<b>SEE SHEET 1</b> EC NO: UCP2015-0637 DRW:MK/PPR 2014/08/13 CHKD:NGUYEN 2014/08/13 APPR:FSMITH 2014/10/10	QUALITY SYMBOLS ∇=0 ∇=0 ∇=0	GENERAL TOLERANCES (UNLESS SPECIFIED)		DIMENSION STYLE <b>IN/MM</b>		SCALE <b>2:1</b>	DESIGN UNITS <b>INCH</b>	THIRD ANGLE PROJECTION	
		4 PLACES ± --- ± ---	mm	INCH	DRAWN BY KBW	DATE 02/03/89	TITLE <b>.093/(2.36) HOUSINGS PLUG &amp; RECEPTACLE 4 CKT., .198/(5.03) CL</b>		
		3 PLACES ± --- ± .010			CHECKED BY RW	DATE 02/03/89	<b>molex</b> DOCUMENT NO. SD-2163-* SHEET NO. 2 OF 2		
		2 PLACES ± 0.25 ± .014			APPROVED BY FSMITH	DATE 2014/06/23			
1 PLACE ± 0.35 ± ---			MATERIAL NO. <b>SEE CHART</b>						
0 PLACE ± --- ± ---			ANGULAR ± --- °						
DRAFT WHERE APPLICABLE MUST REMAIN WITHIN DIMENSIONS				THIS DRAWING CONTAINS INFORMATION THAT IS PROPRIETARY TO MOLEX INCORPORATED AND SHOULD NOT BE USED WITHOUT WRITTEN PERMISSION					