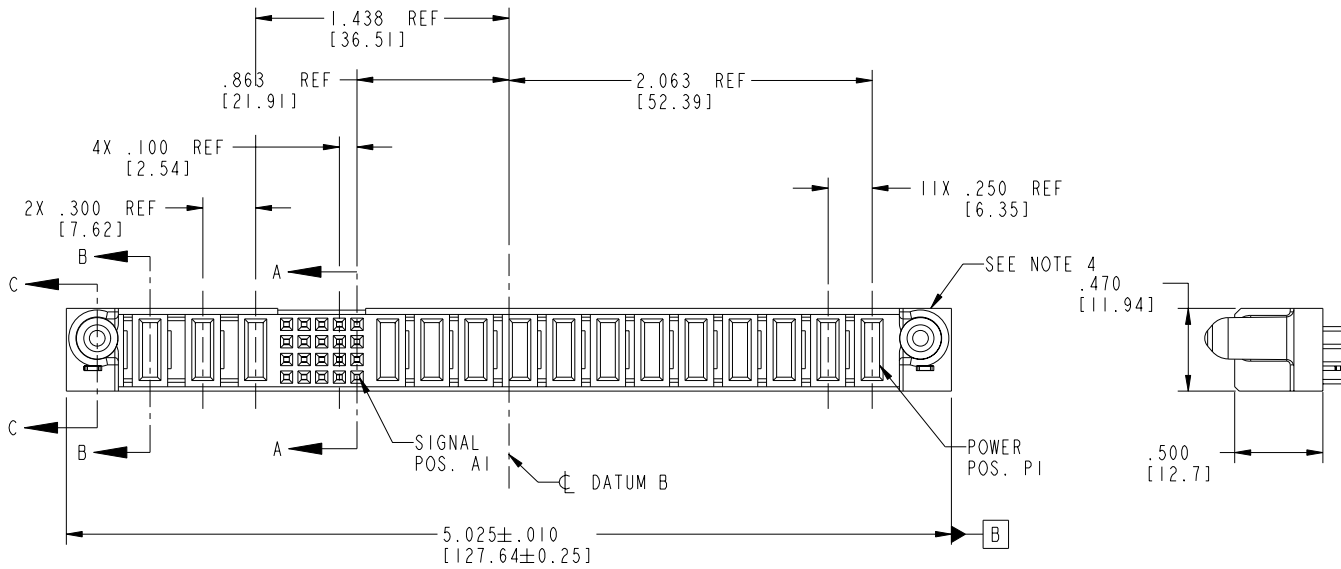


Tous droits strictement réservés. Reproduction ou communication a des tiers interdite sous quelque forme que ce soit sans autorisation écrite du propriétaire. Propriété de c FCI. Droits de reproduction FCI.

All rights strictly reserved. Reproduction or issue to third parties in any form whatever is not permitted without written authority from the proprietor. Property of FCI. Copyright FCI.

PRODUCT NO.	ROWS	POWER					SIGNAL					POWER					E1						
		E2	P15	P14	P13		5	4	3	2	1	P12	P11	P10	P9	P8		P7	P6	P5	P4	P3	P2
51940-074-- NOTE:3	D C B A																						



CODE	DIM "M" MATING LENGTH	CONTACT TYPE
E	N/A [N/A]	SIGNAL
PA	.042 [1.07]	POWER
PD	.092 [2.34]	POWER
HA	N/A [N/A]	HOLD-DOWN

mat'l code				SEE NOTE 2		tolerances unless otherwise specified		CUSTOMER		 www.fciconnect.com	
ltr	ecn no.	dr	date	linear		.XX±.01/0.X±0.3		COPY		projection	
A	V04-0096	TAB	02/03/04			.XXX±.005/0.XX±0.13		INCH/MM		title	
B	DG05-0490	CS	11/22/05	angles		.XXX±.002/0.XX±0.051		scale		12P + 20S + 3ACP VERTICAL SOLDER RECEPT	
				dr	T. BRUNGARD	0±2°		1:1		product family	
				enr	M. GRAY					PwrBlade	
				chr	M. GRAY					code	
				appd	M. GRAY					213	
sheet index	revision	B	B	B	B					sheet	
	sheet	1	2	3	4					1 of 4	

cage code 22526 4

PDM: Rev:B

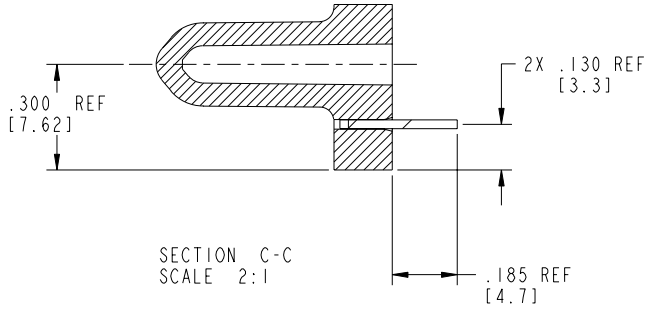
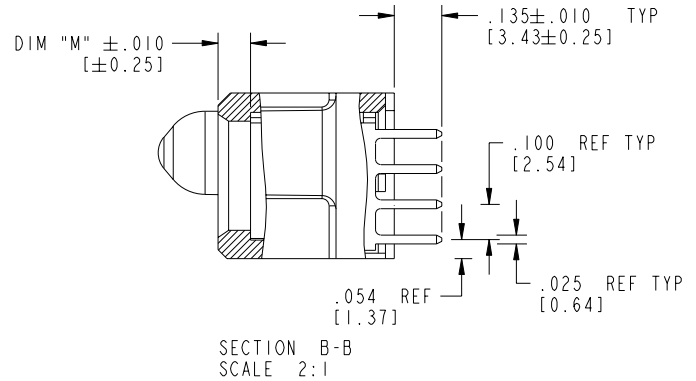
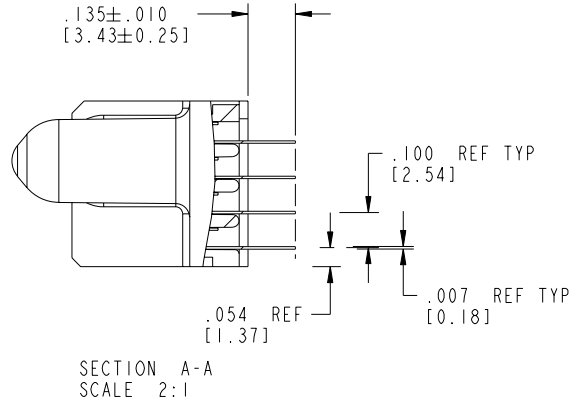
STATUS:Released

Printed: Dec 20, 2010

Tous droits strictement réservés. Reproduction ou communication a des tiers interdite sous quelque forme que ce soit sans autorisation écrite du propriétaire. Propriété de c FCI. Droits de reproduction FCI.

All rights strictly reserved. Reproduction or issue to third parties in any form whatever is not permitted without written authority from the proprietor. Property of FCI. Copyright FCI.

PRODUCT NUMBER
51940-074__
NOTE: 3



mat'l code		SEE NOTE 2		tolerances unless otherwise specified		CUSTOMER		 www.fciconnect.com	
ltr	ecn no.	dr	date	linear	.XX±.01/0.X±0.3	COPY		projection	title
B					.XXX±.005/0.XX±0.13	INCH/MM			12P + 20S + 3ACP VERTICAL SOLDER RECEPT
				angles	.XXXX±.0020/0.XXX±0.051	scale		product family	code
				dr	0°±2°	1:1		PwrBlade	213
				enr	T. BRUNGARD 02/03/04			size	51940-074
				chr	M. GRAY 02/03/04			sheet	2 of 4
				appd	M. GRAY 02/03/04			sheet	2 of 4
sheet index	revision sheet								

cage code 22526 4

Pro/E

PDM: Rev:B

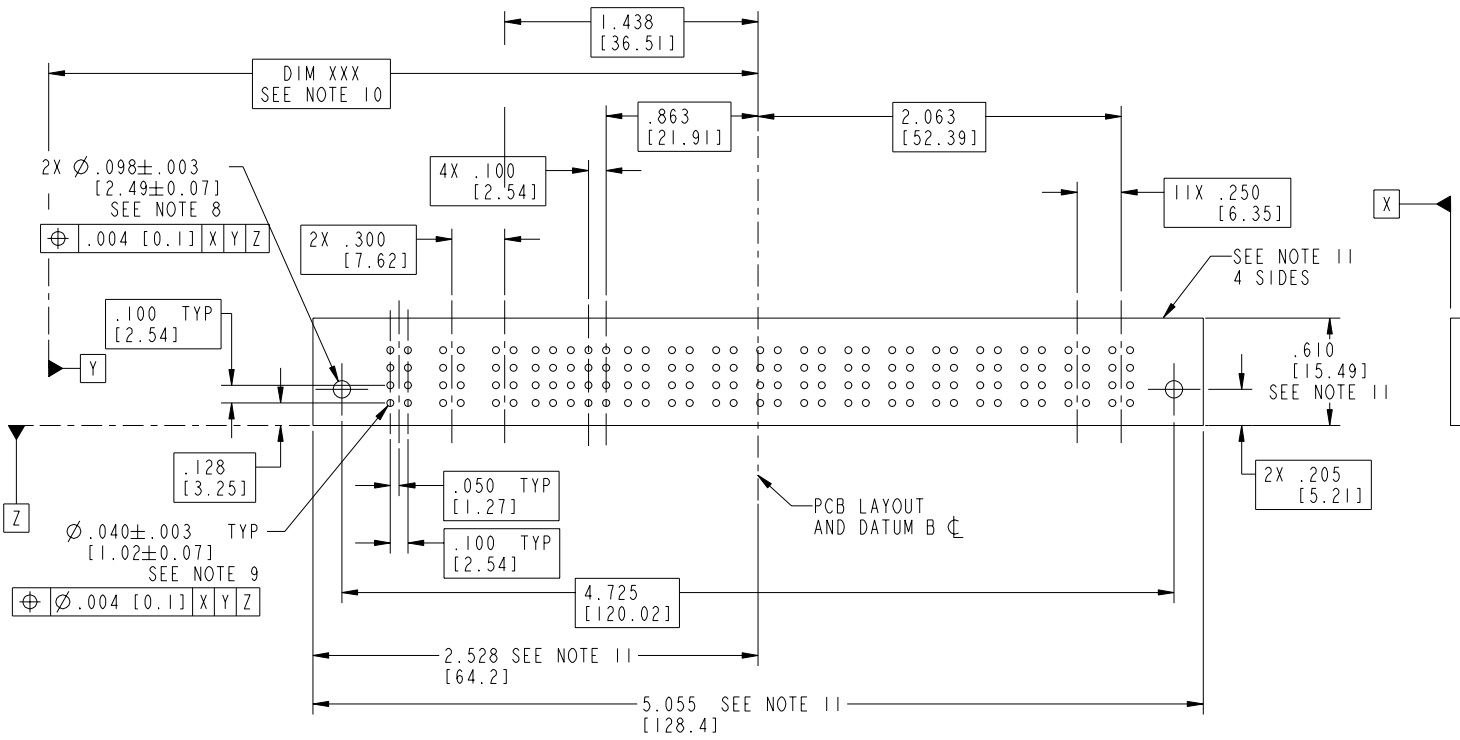
STATUS: Released

Printed: Dec 20, 2010

Tous droits strictement réservés. Reproduction ou communication à des tiers interdite sous quelque forme que ce soit sans autorisation écrite du propriétaire. Propriété de c FCI. Droits de reproduction FCI.

All rights strictly reserved. Reproduction or issue to third parties in any form whatever is not permitted without written authority from the proprietor. Property of FCI. Copyright FCI.

PRODUCT NUMBER
51940-074__
NOTE: 3



A
FCI

mat'l code		SEE NOTE 2		tolerances unless otherwise specified		CUSTOMER		A FCI		www.fciconnect.com	
ltr	ecn no.	dr	date	linear	.XX±.01/0.X±0.3	COPY		projection		title 12P + 20S + 3ACP VERTICAL SOLDER RECEPT	
B				angles	.XXX±.005/0.XX±0.13	INCH/MM		product family PwrBlade		code 213	
				dr	XXXX±.0020/0.XXX±0.051	scale 1:1		size dwg no		sheet 3 of 4	
				enr	0°±2°			A 51940-074			
				chr	T. BRUNGARD 02/03/04						
				appd	M. GRAY 02/03/04						
					M. GRAY 02/03/04						
sheet index	revision sheet										

cage code 22526 4

Pro/E

PDM: Rev:B

STATUS:Released

Printed: Dec 20, 2010

Tous droits strictement réservés. Reproduction ou communication à des tiers interdite sous quelque forme que ce soit sans autorisation écrite du propriétaire. Propriété de c FCI. Droits de reproduction FCI.

FCI

All rights strictly reserved. Reproduction or issue to third parties in any form whatever is not permitted without written authority from the proprietor. Property of FCI. Copyright FCI.

1 | 2

3 |

4

PRODUCT NUMBER
51940-074_
NOTE: 3

NOTES:

1. DIMENSIONS AND TOLERANCES ARE IN ACCORDANCE WITH ASME Y14.5M, 1994 UNLESS OTHERWISE SPECIFIED.

CONNECTOR NOTES:

② HOUSING MATERIAL: UL 94 V-0 GLASS FILLED
HIGH-TEMP THERMOPLASTIC
POWER CONTACT MATERIAL: COPPER ALLOY
SIGNAL PIN MATERIAL: COPPER ALLOY

3. PLATING:
51940-074 Singal Pin: 30u"/0.76um Au OVER 50u"/1.27um Ni ON THE CONTACT AREA
AND 100u"/2.54um SnPb PLATING OVER 50u"/1.27um Ni ON THE TERMINATION SECTION.
Power Pin: 30u"/0.76um Au OVER 50u"/1.27um Ni ON THE CONTACT AREA,
AND 100u"/2.54um SnPb PLATING OVER 50u"/1.27um Ni ON THE TERMINATION SECTION.

51940-074LF Singal Pin: 30u"/0.76um Au OVER 50u"/1.27um Ni ON THE CONTACT AREA
AND 78u"/2.00um Sn PLATING OVER 50u"/1.27um Ni ON THE TERMINATION SECTION.
Power Pin: 30u"/0.76um Au OVER 50u"/1.27um Ni ON THE CONTACT AREA,
AND 78u"/2.00um Sn PLATING OVER 50u"/1.27um Ni ON THE TERMINATION SECTION.

PART NUMBER 551940-074LF MEETS EUROPEAN UNION DIRECTIVE AND OTHER COUNTRY REGULATIONS AS DESCRIBED IN GS-22-008.

THE HOUSING WILL WITHSTAND EXPOSURE TO 260° PEAK TEMPERATURE FOR 10 SECONDS IN A WAVE SOLDER APPLICATION WITH A CIRCUIT BOARD.

④ MANUFACTURER'S NAME, P/N, AND DATE CODE TO APPEAR ON THIS SURFACE.

5. PRODUCT SPECIFICATION GS-12-149.
APPLICATION SPECIFICATION BUS-20-067.

6. PACKAGED IN TRAYS.

PCB NOTES:


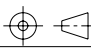

7. ALL HOLE DIAMETERS ARE FINISHED HOLE SIZE.

⑧ MOUNTING HOLES, WHERE APPLICABLE, ARE UNPLATED.

⑨ $\varnothing .0453 \pm .0010$ [1.151 \pm 0.025] DRILLED HOLES PLATED WITH
.0003 [0.008] MIN SnPb OVER .001 [0.03]
TO .003 [0.08] Cu PLATING TO ACHIEVE
 $\varnothing .040 \pm .003$ [1.02 \pm .07] HOLE.

⑩ "DIM XXX" TO BE DETERMINED BY THE CUSTOMER.

⑪ CONNECTOR KEEP-OUT ZONE.

mat'l code				SEE NOTE 2		tolerances unless otherwise specified		CUSTOMER		 www.fciconnect.com	
ltr	ecn no.	dr	date	linear	.XX±.01/0.X±0.3		COPY		projection	title	
B					.XXX±.005/0.XX±0.13		INCH/MM			12P + 20S + 3ACP	
				angles	.XXXX±.0020/0.XXX±0.051				VERTICAL SOLDER RECEPT		
				dr	0° ± 2°				product family		
				enr	T. BRUNGARD 02/03/04		1:1		PwrBlade		
				chr	M. GRAY 02/03/04		A		code		
				appd	M. GRAY 02/03/04		size		213		
sheet index		revision sheet						51940-074		sheet 4 of 4	

1 | 2

Pro/E

3 |

cage code 22526

4

PDM: Rev:B

STATUS: Released

Printed: Dec 20, 2010