

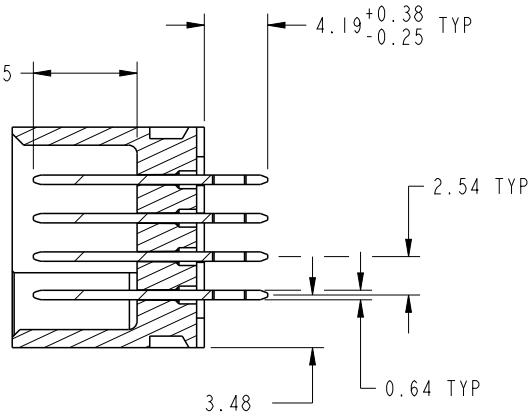
CODE	DIM "M" MATING LENGTH	CONTACT TYPE
PC	[N/A]	POWER
G	[6.86]	SIGNAL

spec ref	See Notes		dr	Jackie Huang	2013/07/16	projection 	MM ←→	size	A4	scale	1:1
tolerance std	TOLERANCES UNLESS OTHERWISE SPECIFIED		eng	Jackie Huang	2013/11/08			ecn no	-		
See Notes			chr	-	-			rel level	Released		
surface	✓	linear	0.X	±0.50	 www.fci.com	title 5ACP+8S VERTICAL PF HEADER	dwg no 51952-254	rev A			
			0.XX	±0.25							
			0.XXX	±0.10							
		angular	0°	±2°	cat. no.	&model_name	Product - Customer Drw	sheet 1 of 4			

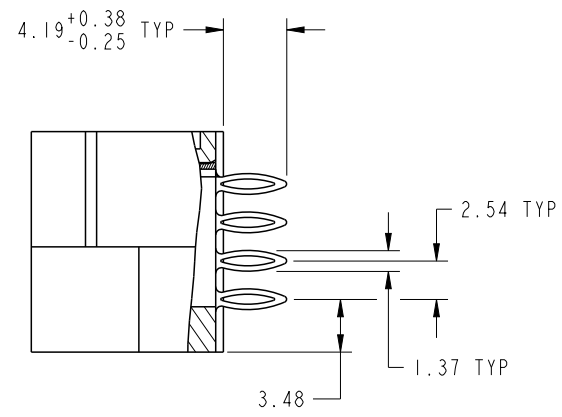
PRODUCT NUMBER

51952-254--
NOTE 3

DIM "M" ±0.25



SECTION A-A
SCALE 2:1



SECTION B-B
SCALE 2:1

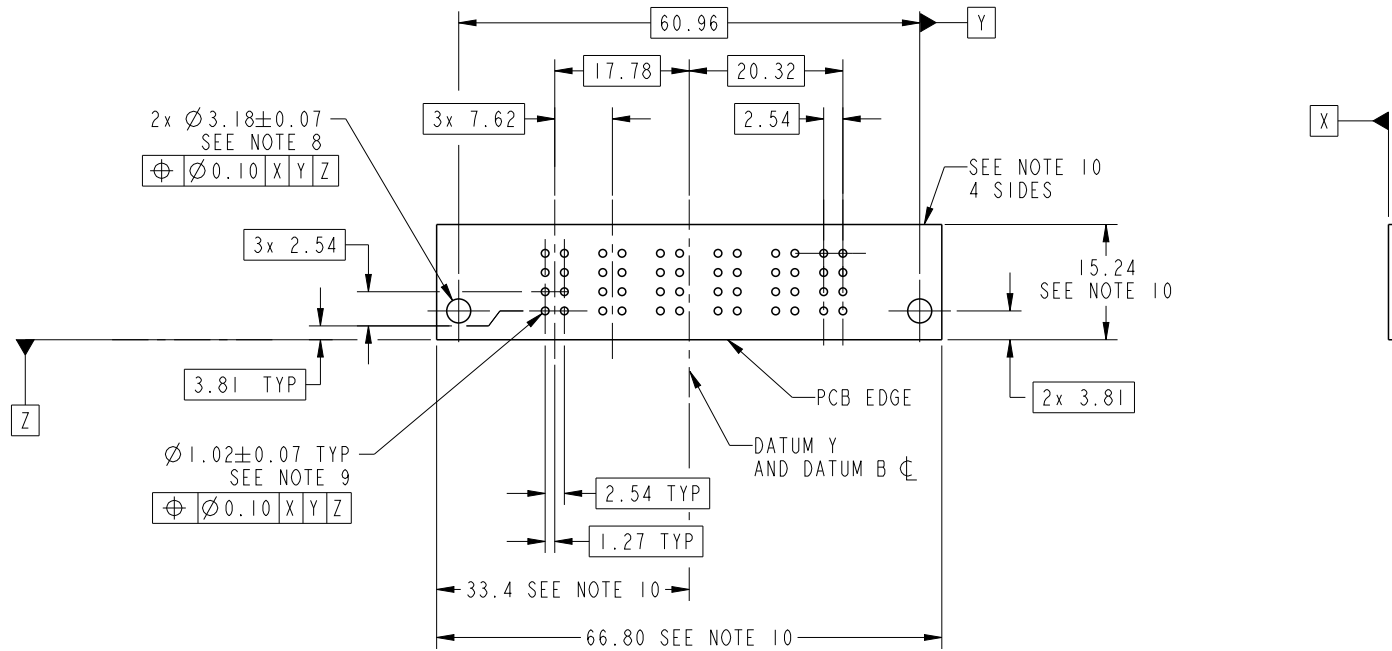


Copyright FCI.

dr	Jackie Huang	2013/07/16	projection 	MM 	size	A4	scale	1:1			
eng	Jackie Huang	2013/11/08			ecn no	-					
chr	-	-			product family	PwrBlade	rel level	Released			
appr	Pei-Ming Zheng	2013/11/08			title	5ACP+8S		dwg no	51952-254	rev	A
www.fci.com		cat. no.	&model_name	Product - Customer Drw			sheet 2 of 4				

PRODUCT NUMBER

51952-254__
NOTE 3



RECOMMENDED PCB LAYOUT

dr	Jackie Huang	2013/07/16	projection 	MM 	size	A4	scale	1:1
eng	Jackie Huang	2013/11/08			ecn no	-		
chr	-	-						
appr	Pei-Ming Zheng	2013/11/08	product family	PwrBlade	rel level	Released		
	title	5ACP+8S VERTICAL PF HEADER		dwg no	51952-254		rev	A
www.fci.com	cat. no.	&model_name	Product - Customer Drw		sheet 3 of 4			



PRODUCT NUMBER

51952-254__
NOTE 3

NOTES:

1. DIMENSIONS AND TOLERANCES ARE IN ACCORDANCE WITH ASME Y14.5M, 1994 UNLESS OTHERWISE SPECIFIED.

CONNECTOR NOTES:

- 2 HOUSING MATERIAL: UL 94 V-0 GLASS FILLED HIGH-TEMP THERMOPLASTIC
POWER CONTACT MATERIAL: COPPER ALLOY
SIGNAL PIN MATERIAL: COPPER ALLOY
- 3. SEE ITEM 3 & 4 IN PRINT 10064183 FOR PLATING SPEC OF 51952-254 AND 51952-254LF RESPECTIVELY.

4 MANUFACTURER'S NAME, DATE CODE AND OPTIONAL P/N TO APPEAR ON THIS SURFACE. THE MARK CAN BE OMITTED IF THERE IS NOT ENOUGH SPACE ON THIS SURFACE.

5. PRODUCT SPECIFICATION GS-12-149.
APPLICATION SPECIFICATION BUS-20-067.

6. PACKAGED IN TRAYS.

PCB NOTES:

- 7. ALL HOLE DIAMETERS ARE FINISHED HOLE SIZE.
- 8. MOUNTING HOLES, WHERE APPLICABLE, ARE UNPLATED.

9 $\varnothing 1.151 \pm 0.025$ DRILLED HOLES PLATED WITH 0.008 MIN SnPb OR Sn OVER .001 [0.03] TO 0.08 Cu PLATING TO ACHIEVE $\varnothing 1.02 \pm 0.07$ HOLE.

10 CONNECTOR KEEP-OUT ZONE.

11. FOR PRESS FIT APPLICATION USE FCI CAM TOOL 430169-XXX.



Copyright FCI.

dr	Jackie Huang	2013/07/16	projection 	MM 	size	A4	scale	1:1	
eng	Jackie Huang	2013/11/08			ecn no	-			
chr	-	-							
appr	Pei-Ming Zheng	2013/11/08	product family	PwrBlade	rel level	Released			
		title	5ACP+8S VERTICAL PF HEADER		dwg no	51952-254		rev	A
www.fci.com		cat. no.	&model_name	Product - Customer Drw		sheet 4 of 4			