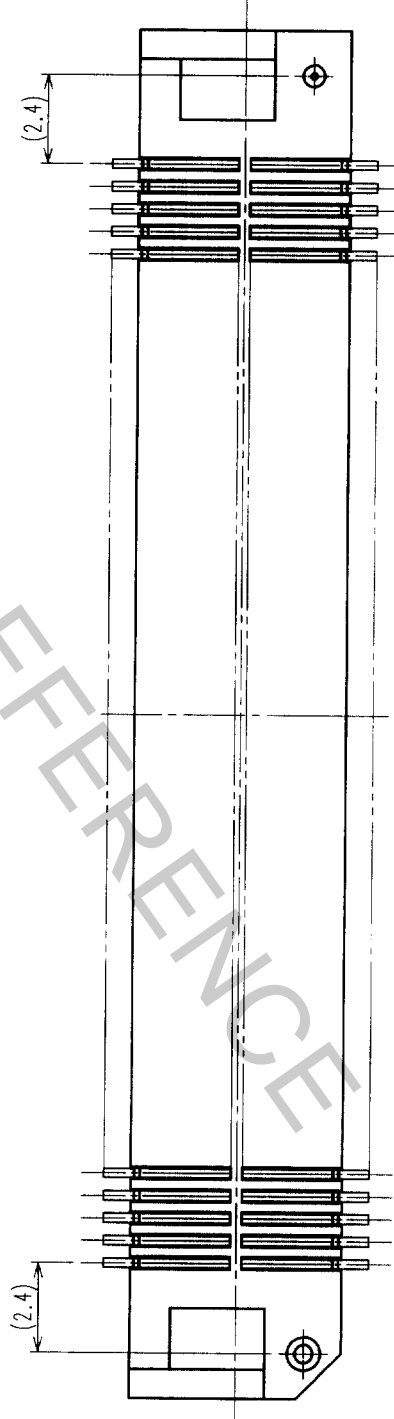
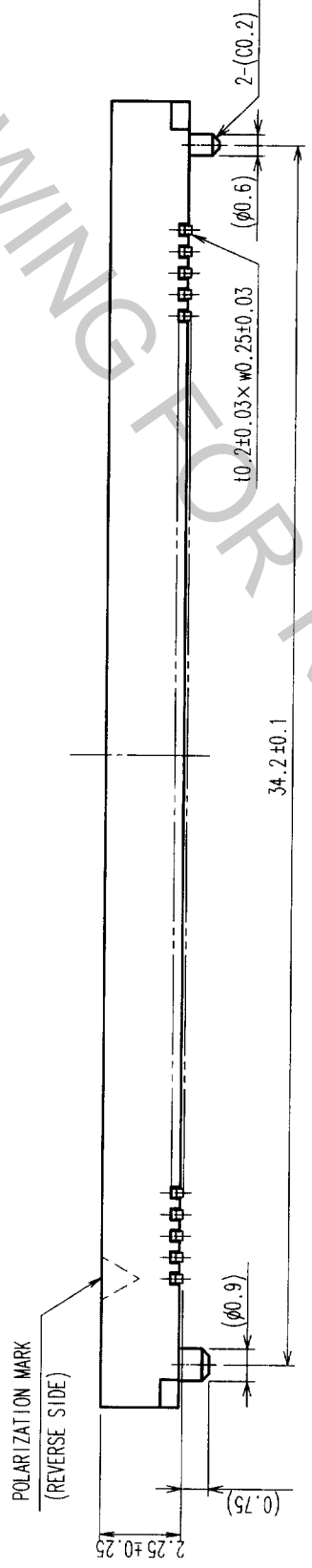
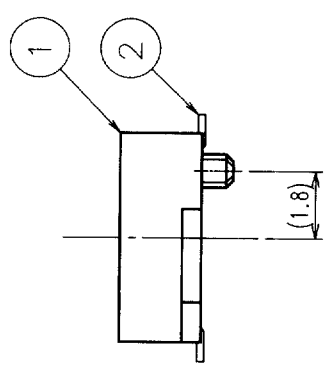
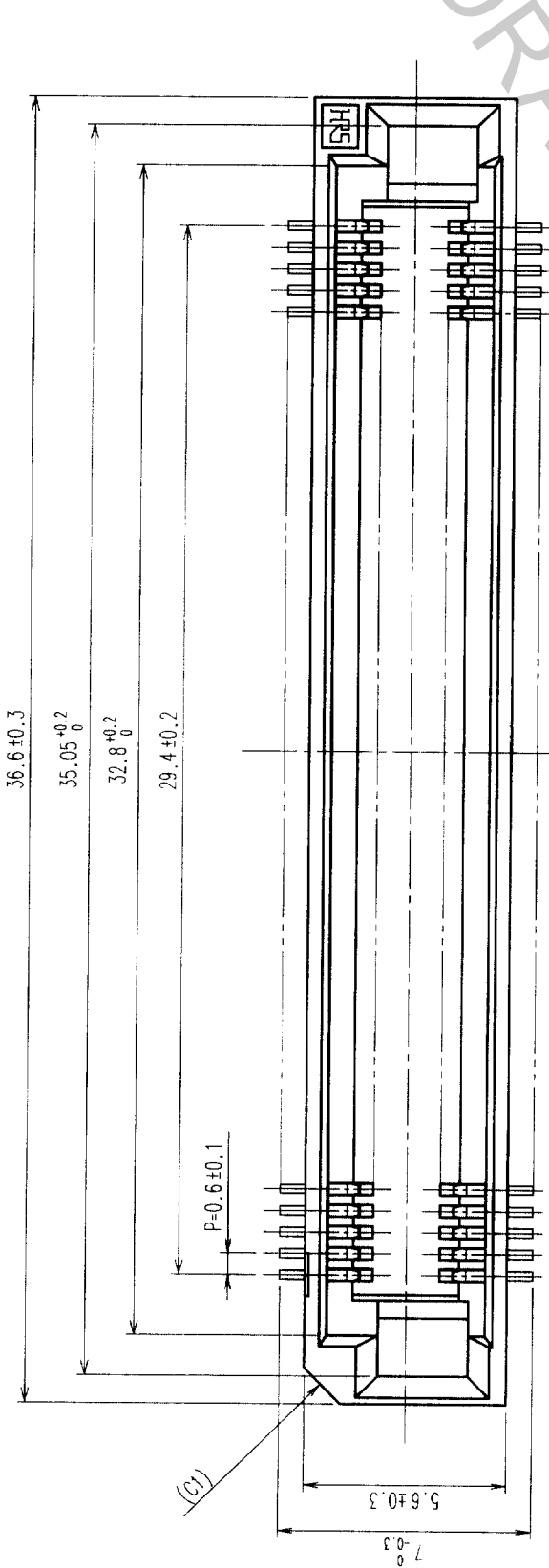
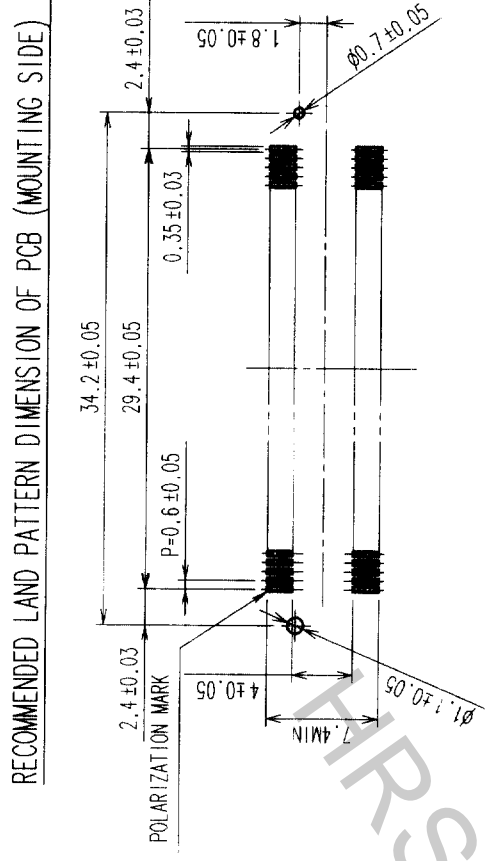


COUNT	DESCRIPTION OF REVISIONS	BY	CHKD	DATE	COUNT	DESCRIPTION OF REVISIONS	BY	CHKD	DATE
△					△				
△					△				
△					△				

RECOMMENDED LAND PATTERN DIMENSION OF PCB (MOUNTING SIDE) (2:1)



- NOTE
1. LEAD CO-PLANARITY SHALL BE 0.1mm.
 2. EMBOSSED CARRIER TAPE PACKAGING SHALL BE APPLIED FOR THIS PRODUCT. SEE SHEET 2/2 FOR DETAILS.
 3. FOR MODIFICATION, ETC., PREVENTIVE HOLE FOR SINK MARK MAY BE ADDED ACCORDING TO CIRCUMSTANCES.

TO	
PCK	

NO.	MATERIAL	FINISH, REMARKS	NO.	MATERIAL	FINISH, REMARKS
1	PPS	LIGHT BROWN	2	PHOSPHOR BRONZE	
		UL94V-0			

CONTACT AREA: GOLD PLATED (0.1µm) OVER NICKEL	THE OTHER AREA: GOLD PLATED (FLASH) OVER NICKEL

CODE NO. (OLD)	DRAWN	DESIGNED	CHECKED	APPROVED	RELEASED
CL	<i>[Signature]</i> 02.06.18	<i>[Signature]</i> 02.06.18	<i>[Signature]</i> 02.06.18	<i>[Signature]</i> 02.06.19	

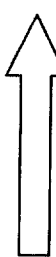
DRAWING NO.	PART NO.
EDC3-150676-02	FX8-100S-SV(22)

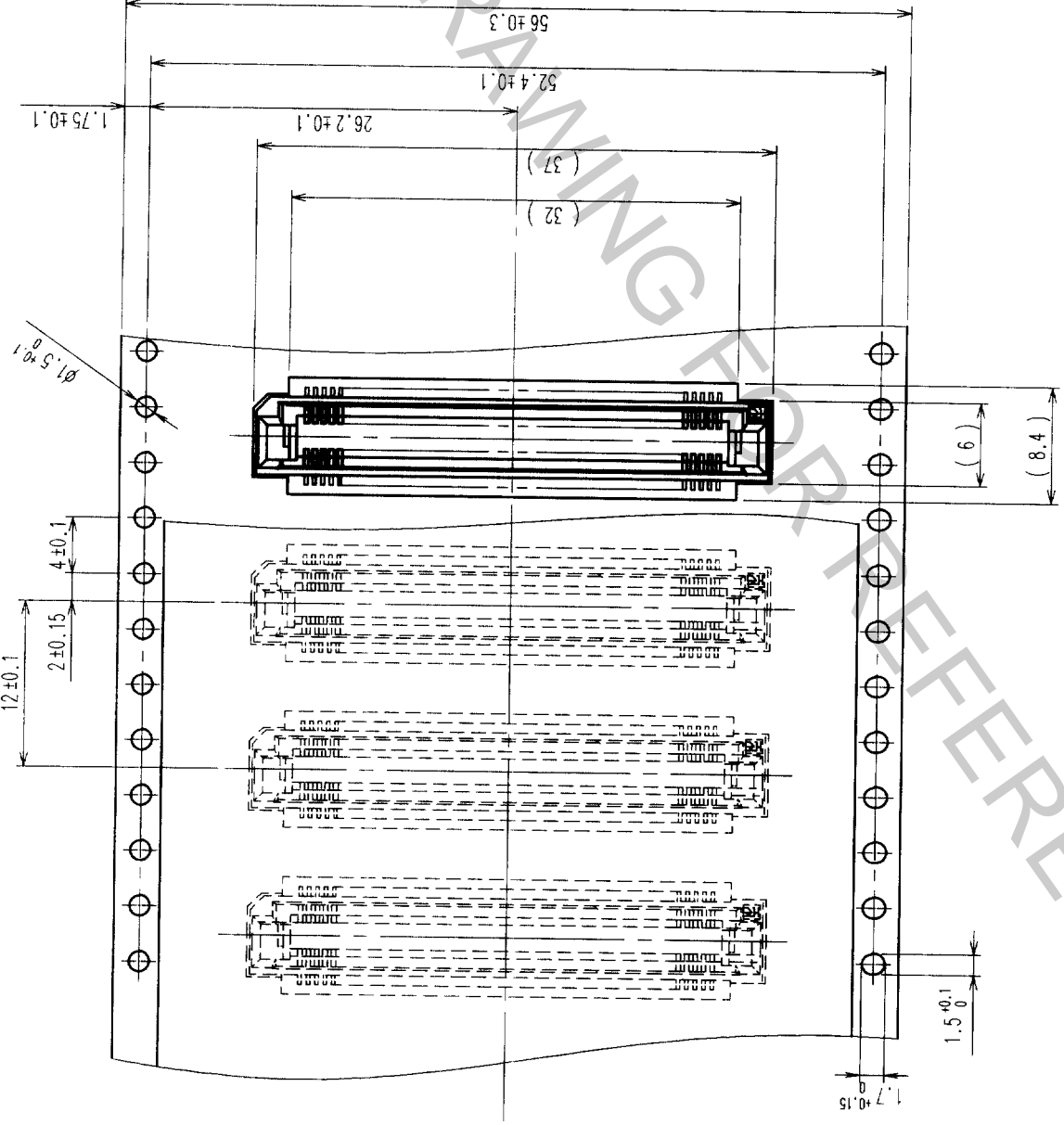
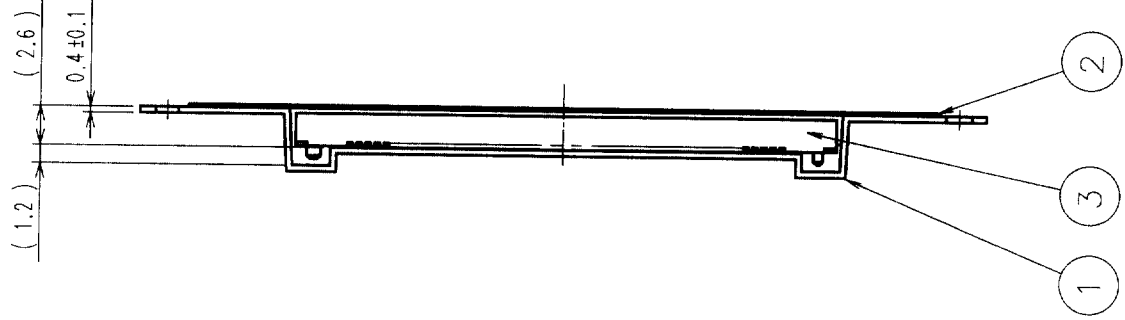
SCALE	CODE NO.
5 : 1	CL578-0205-6-22

UNITS	HIROSE ELECTRIC CO., LTD
mm	

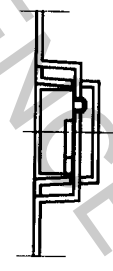
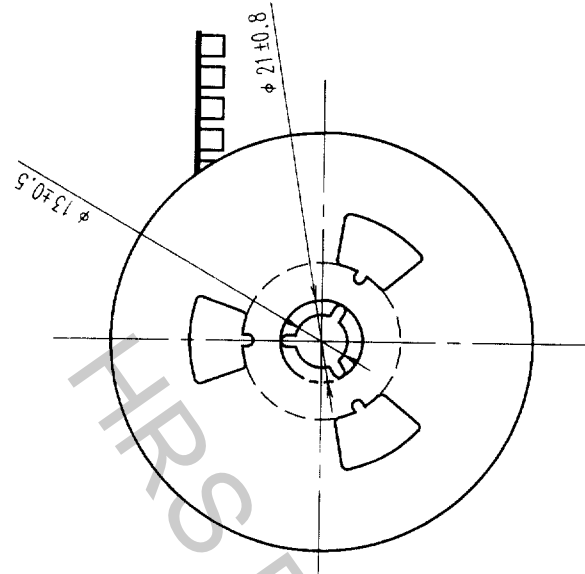


COUNT	DESCRIPTION OF REVISIONS	BY	CHKD	DATE	COUNT	DESCRIPTION OF REVISIONS	BY	CHKD	DATE

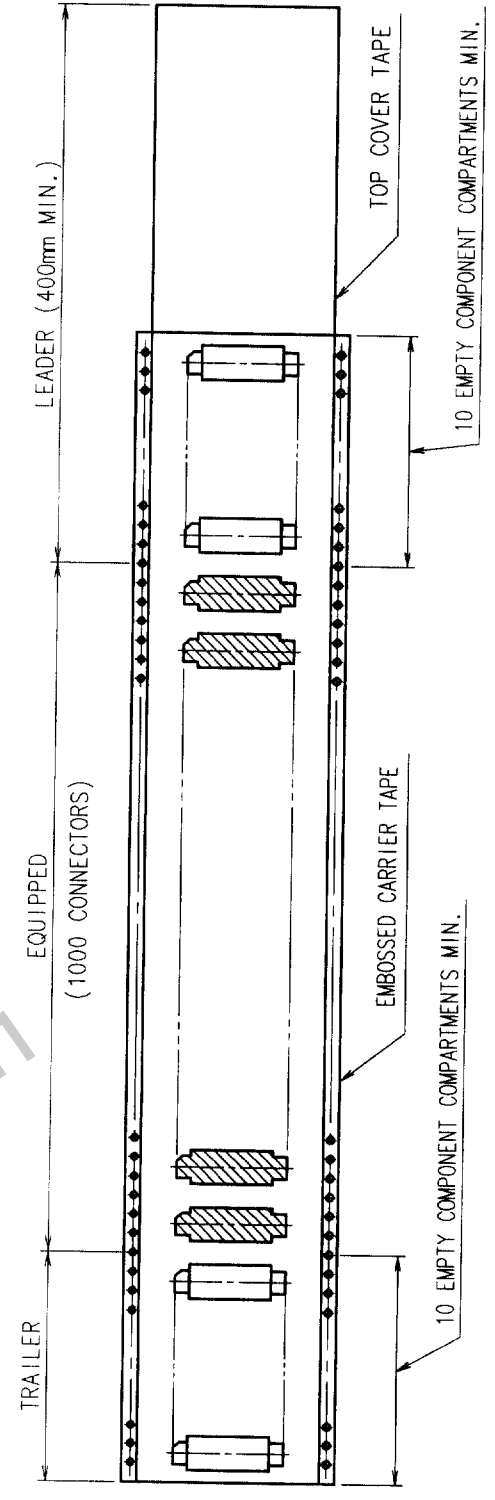
UNREELING DIRECTION




REELED DIMENSION (FREE)



NOTE 1. 1 REEL: 1000 CONNECTORS



2 POLYESTER		TOP COVER TAPE		3 (CONNECTOR)			FINISH, REMARKS		
1	PET	EMBOSSED CARRIER TAPE							
NO.	MATERIAL	FINISH, REMARKS	NO.	MATERIAL					
CODE NO. (OLD)		DRAWN		DESIGNED	CHECKED	APPROVED	RELEASED		
CL		<i>[Signature]</i>		<i>H. Okawa</i>		<i>Y. Yoshikawa</i>			
		DATE: 12.25.13		DATE: 12.25.11		DATE: 02.06.18			
DRAWING NO. EDC3-150676-02			PART NO. FX8-100S-SV(22)						
SCALE 2 : 1									
UNITS mm									
HRS HIROSE ELECTRIC CO., LTD			CL578-0205-6-22						

TO	
PCK	