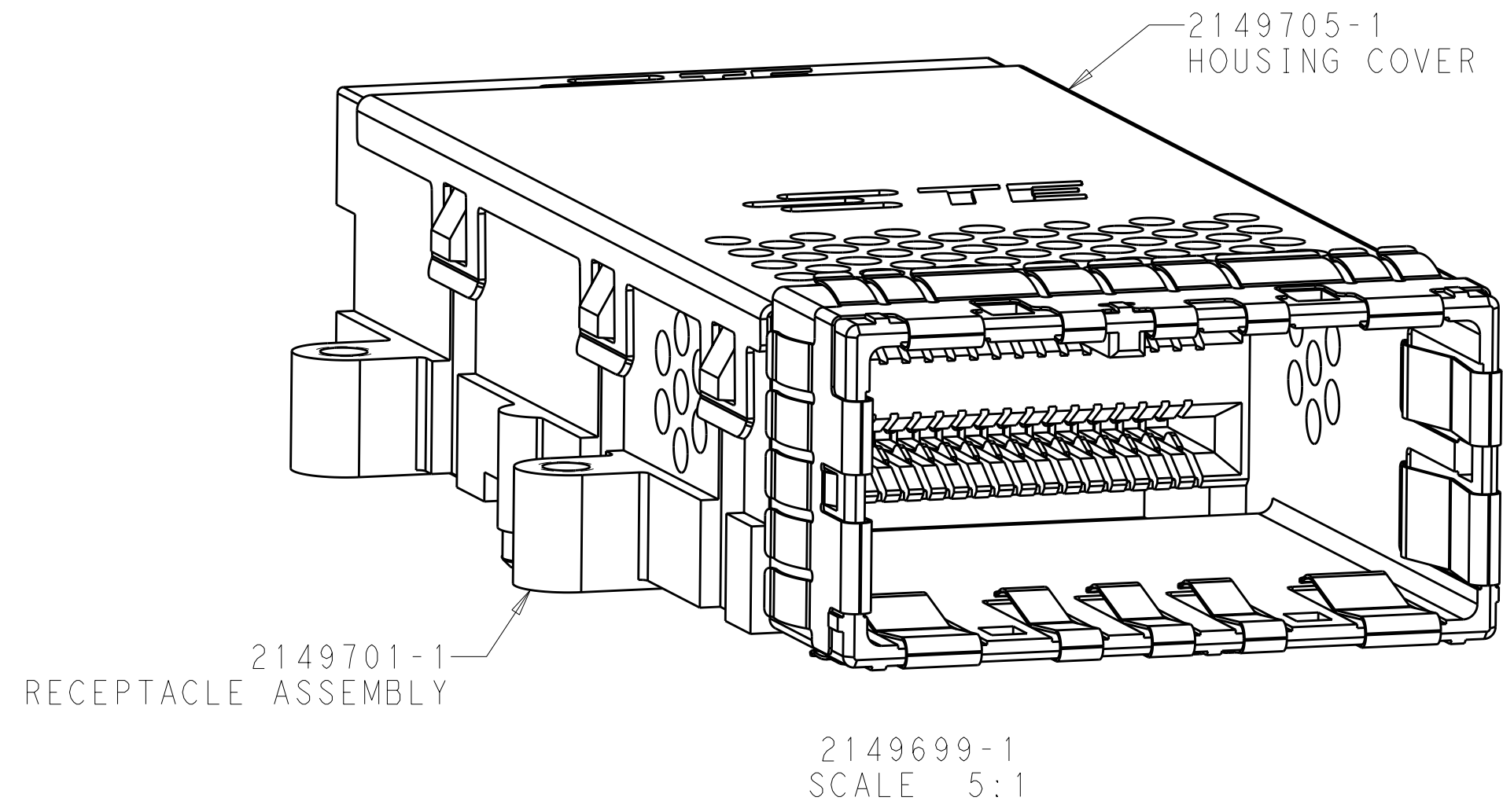


THIS DRAWING IS UNPUBLISHED. RELEASED FOR PUBLICATION 20
 © COPYRIGHT 20 BY - ALL RIGHTS RESERVED.

LOC	DIST	REVISIONS			
P	LTR	DESCRIPTION	DATE	DWN	APVD
GP	00	8	REVISED	21OCT2011	MEC MDM

- PARTS PACKAGED UNASSEMBLED
- PCB THICKNESS = 1.44 MIN
- △ THE ENTIRE AREA OF THE CONNECTOR FOOTPRINT, INDICATED BY CROSSHATCHING, TO BE CONSIDERED THE KEEPOUT AREA FOR COMPONENTS AND SIGNAL TRACES, TOP SIDE ONLY, TOP SIDE TRACES ALLOWED WITHIN CONNECTOR HOLE PATTERN, CROSSHATCHING TO BE CONDUCTIVE
- MOUNTING HARDWARE REQUIRED:
M2X0.4 (4): MOUNTING SCREW LENGTH = BOARD THICKNESS + 8mm MAX
- MATERIALS:
HOUSING - NICKEL PLATED ZINC ALLOY PER ASTM B 240
RECEPTACLE HOUSING - LCP, BLACK, UL 94V-O RATED
CHICKLET - LCP, BLACK, UL 94V-O RATED
CONTACT - PHOSPHOR BRONZE PER ASTM B 103
EMI SPRING - COPPER ALLOY
- △ CONTACT FINISH:
CONFORMS TO THE REQUIREMENTS OF TYCO ELECTRONICS PRODUCT SPECIFICATION 108-2426, BASED ON EIA/ECA-364-1000.01A, (CONTROLLED ENVIRONMENT APPLICATIONS) ON MATING INTERFACE, TIN ON NEEDLE EYE
- △ NOTE DELETED



OBSELETE	2149701-2	△7	84 POSITION RECEPTACLE ASSEMBLY WITH COVER	2149699-2
	2149701-1	△6	84 POSITION RECEPTACLE ASSEMBLY WITH COVER	2149699-1
	84 POSITION RECEPTACLE ASSEMBLY	FINISH	DESCRIPTION	PART NUMBER

PRELIMINARY PART- NOT RELEASED FOR PRODUCTION

THIS DRAWING IS A CONTROLLED DOCUMENT.

DIMENSIONS:	TOLERANCES UNLESS OTHERWISE SPECIFIED:	DWN	22SEP2010
mm	0 PLC ±0.2	CHK	M.E. COWHER
	1 PLC ±0.1	CHK	M.D. MORRISON
	2 PLC ±0.05	APVD	M.D. MORRISON
	3 PLC ±	APVD	M.D. MORRISON
	4 PLC ±	NAME	M.D. MORRISON
	ANGLES ±1°	PRODUCT SPEC	
	FINISH	APPLICATION SPEC	
MATERIAL		WEIGHT	
		CUSTOMER DRAWING	

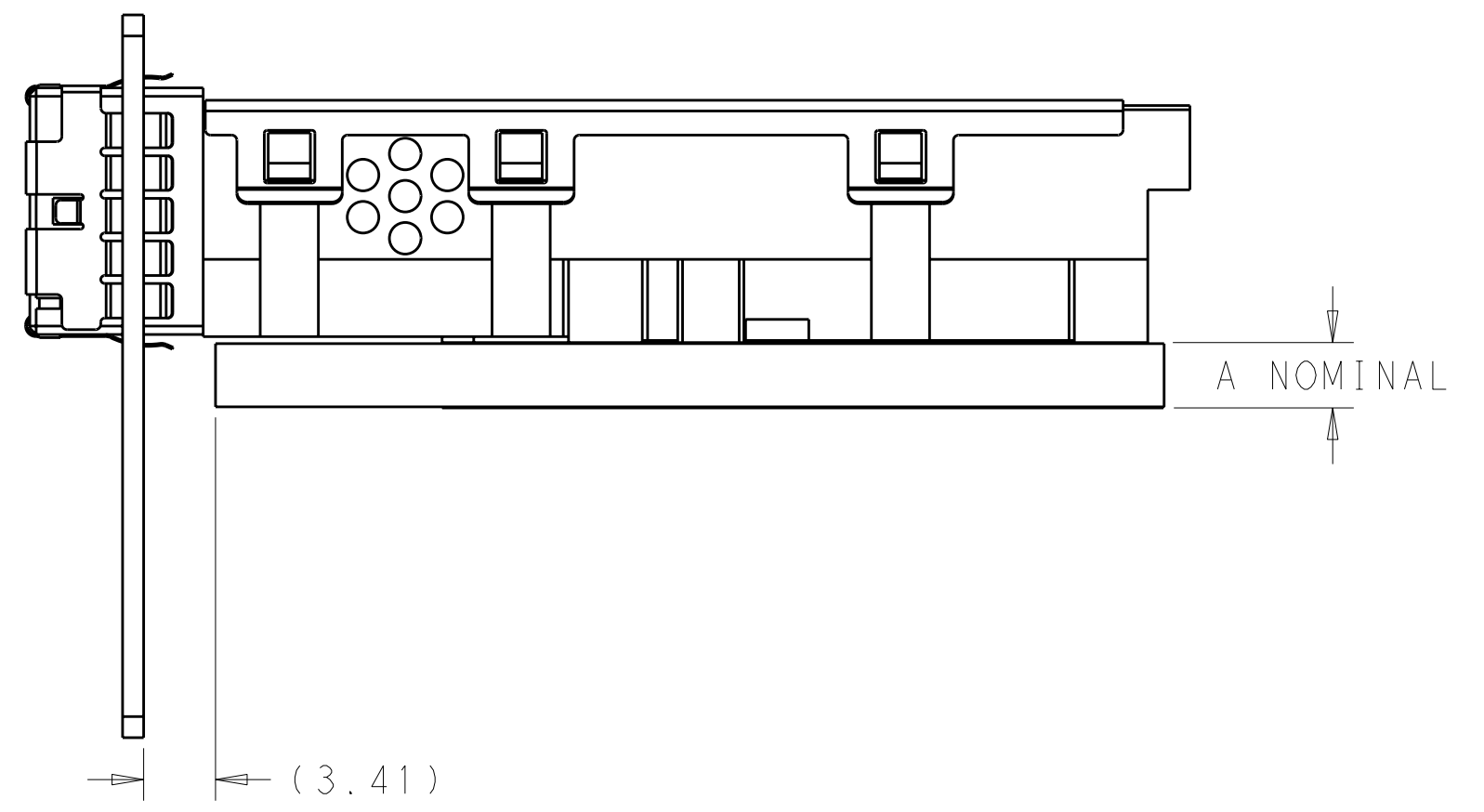
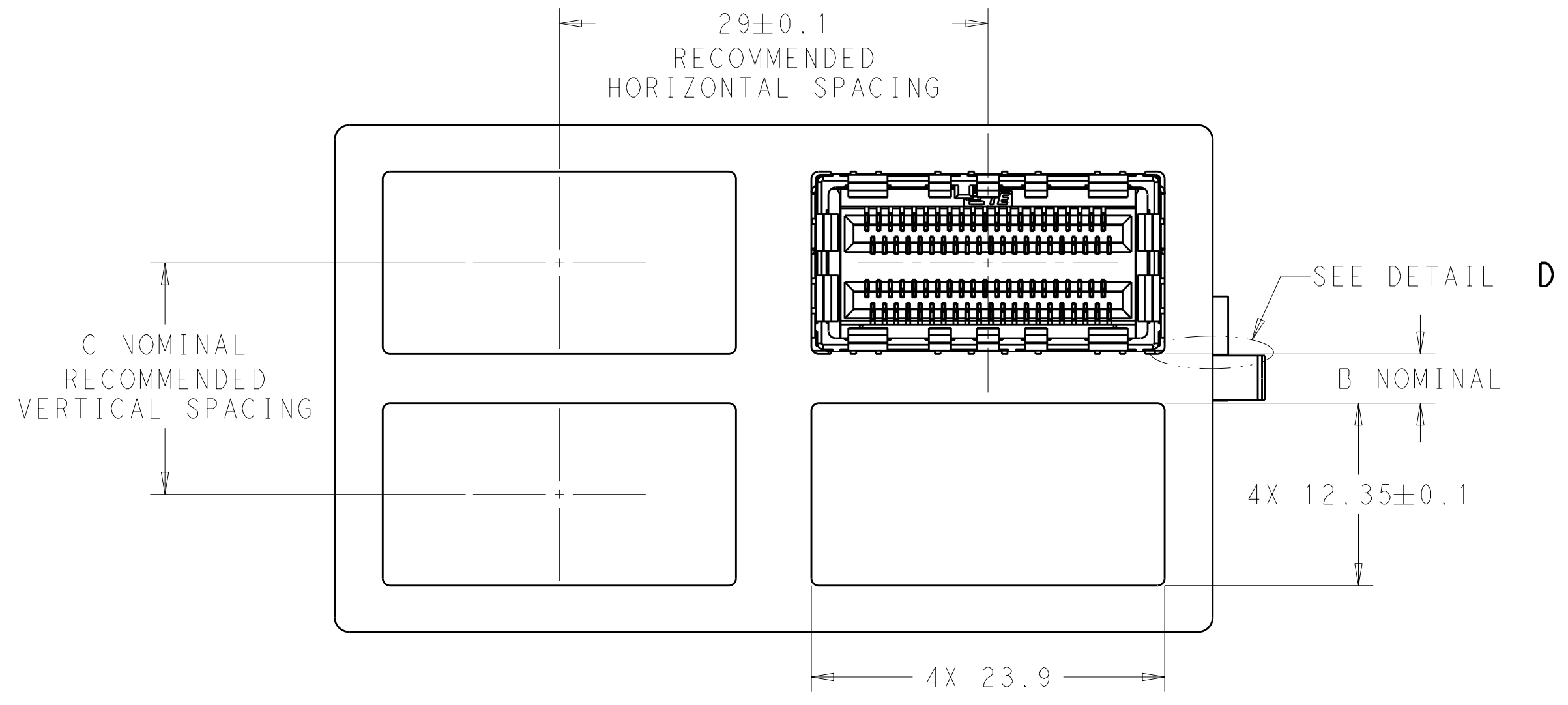
STE TE Connectivity

RECEPTACLE ASSEMBLY WITH COVER, BELLY-BELLY, STANDARD, 84 POSITION, CXP

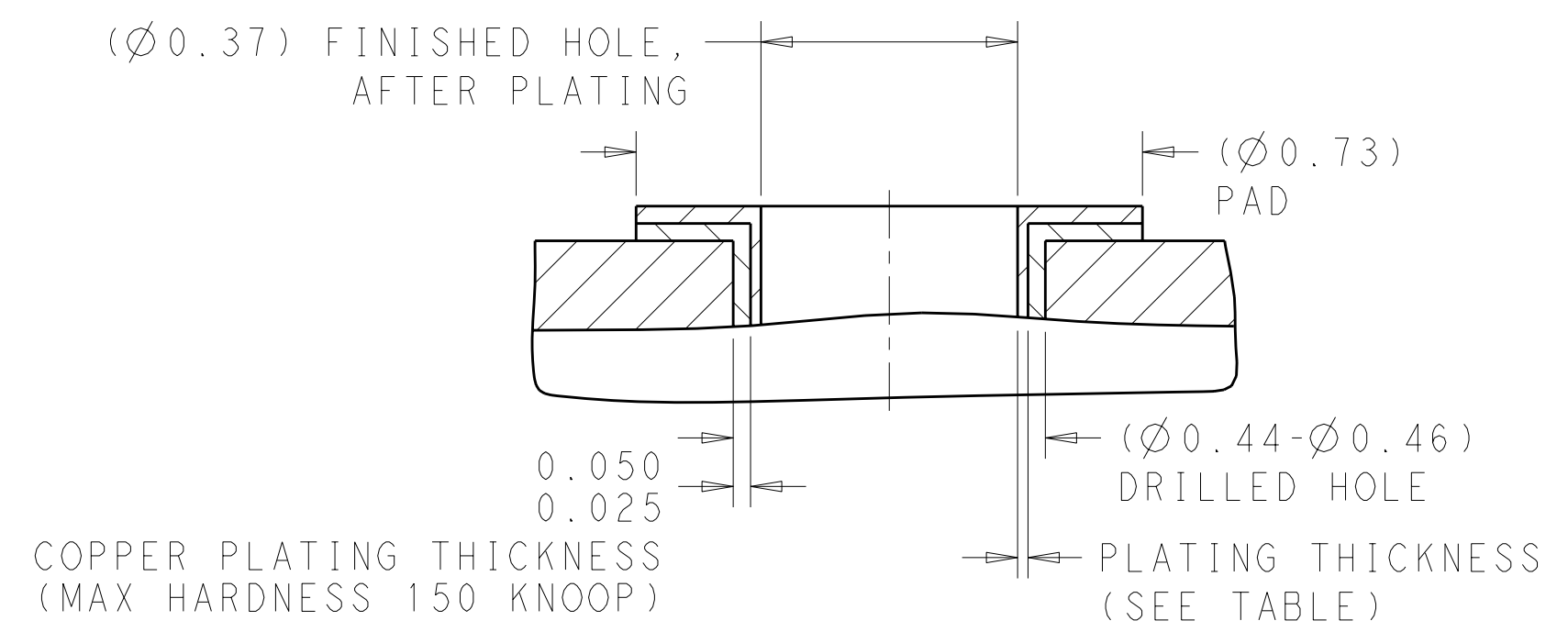
SIZE	CAGE CODE	DRAWING NO	RESTRICTED TO
A2	00779	C-2149699	-
SCALE	1:1	SHEET	1 OF 3
		REV	8

THIS DRAWING IS UNPUBLISHED. RELEASED FOR PUBLICATION 20
 © COPYRIGHT 20 BY - ALL RIGHTS RESERVED.

LOC	DIST	REVISIONS			
P	LTR	DESCRIPTION	DATE	DWN	APVD
GP	00	-	SEE SHEET 1	-	-

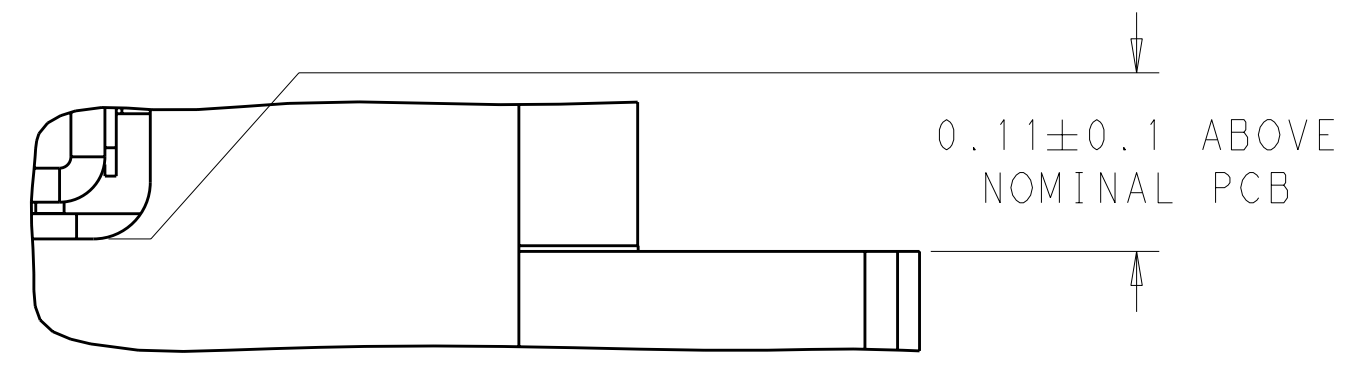


RECOMMENDED BRACKET LAYOUT
SCALE 3:1



RECOMMENDED HOLE DIMENSIONS FOR SIGNAL CONTACTS
SCALE 100:1

PLATING THICKNESS	TYPE OF PLATING
0.004-0.01	HOT AIR SOLDER LEVELING (HASL) TIN-LEAD
0.0005-0.002	IMMERSION TIN
0.0002-0.0005	ORGANIC SOLDERABILITY PRESERVATIVE (OSP)
0.0001-0.0005 Au, 0.004-0.0076 Ni	IMMERSION GOLD OVER NICKEL (ENIG)
0.0001-0.0005	IMMERSION SILVER



DETAIL D
SCALE 15:1

PRELIMINARY PART- NOT RELEASED FOR PRODUCTION

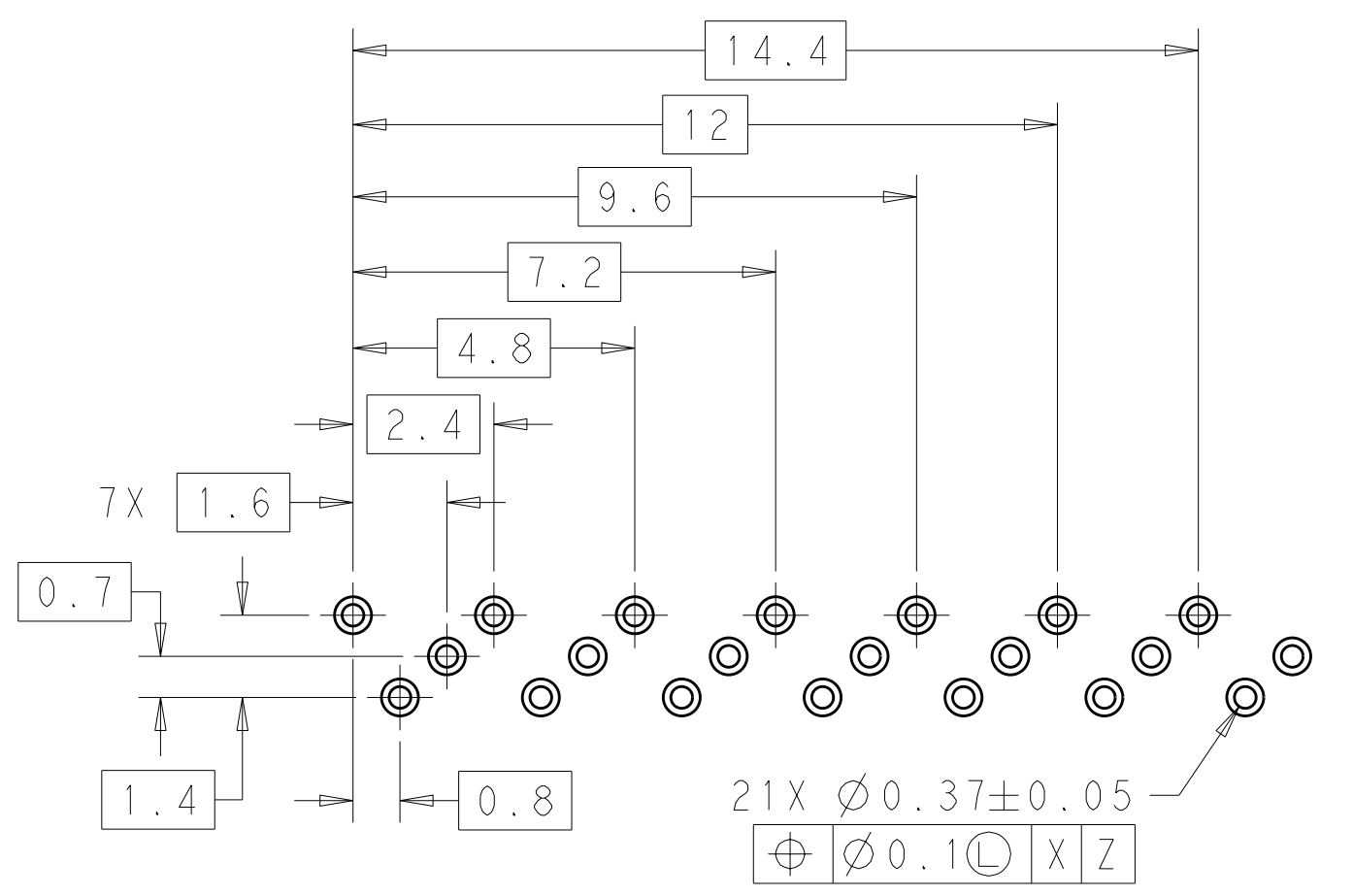
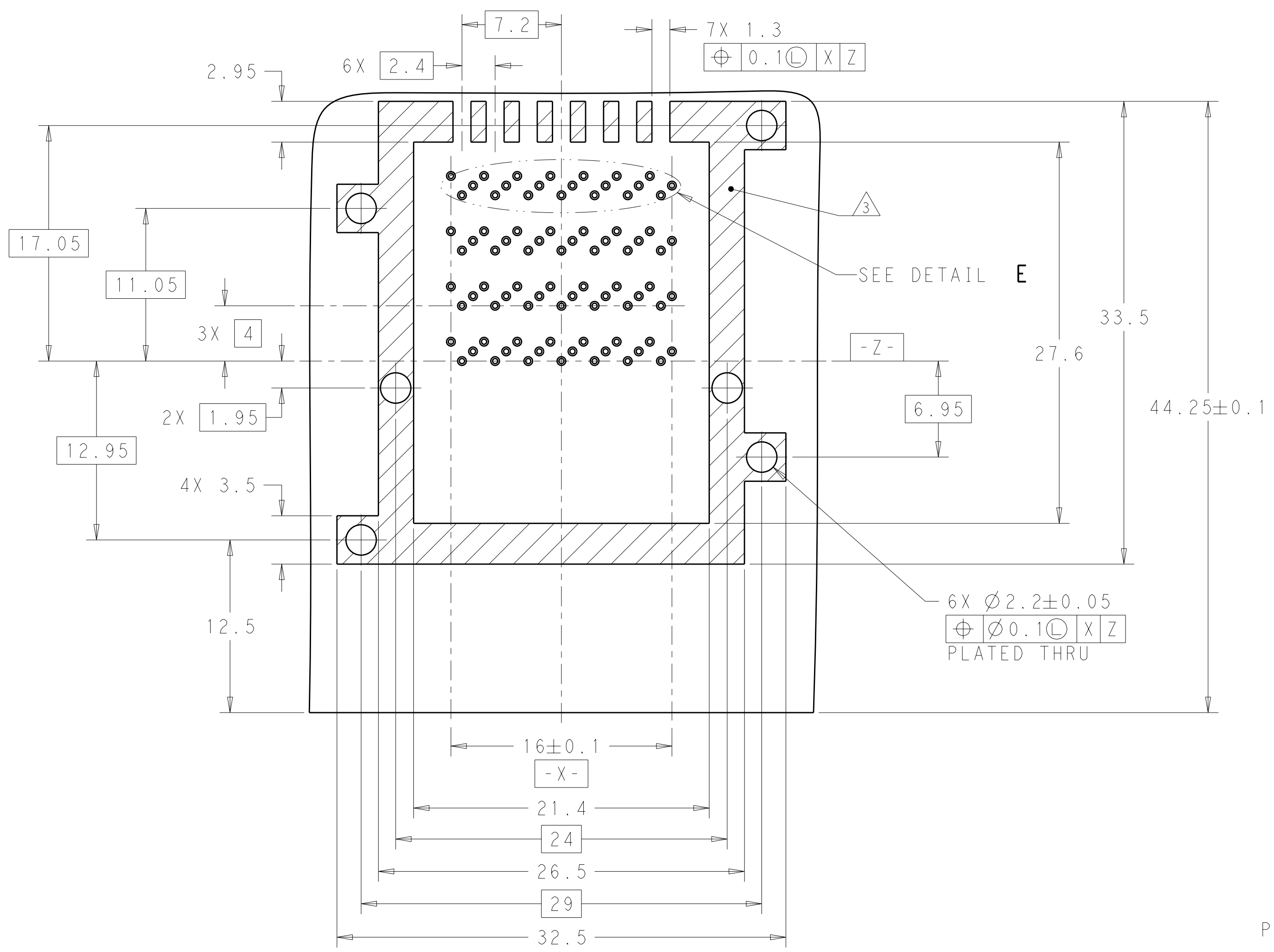
12.57+A	0.22+A	PCB THICKNESS
C	B	A

THIS DRAWING IS A CONTROLLED DOCUMENT.

DIMENSIONS: mm	TOLERANCES UNLESS OTHERWISE SPECIFIED: 0 PLC ±0.2 1 PLC ±0.1 2 PLC ±0.05 3 PLC ± 4 PLC ± ANGLES ±1° FINISH	DWN M.E. COWHER 22SEP2010 CHK M.D. MORRISON 06OCT2010 APVD M.D. MORRISON 06OCT2010 PRODUCT SPEC - APPLICATION SPEC - WEIGHT -	TE Connectivity NAME RECEPTACLE ASSEMBLY WITH COVER, BELLY-BELLY, STANDARD, 84 POSITION, CXP SIZE A2 CAGE CODE 200779 DRAWING NO. C-2149699 RESTRICTED TO -
MATERIAL -	CUSTOMER DRAWING	SCALE 1:1	SHEET 2 OF 3 REV 8

THIS DRAWING IS UNPUBLISHED. RELEASED FOR PUBLICATION 20
 © COPYRIGHT 20 BY - ALL RIGHTS RESERVED.

LOC		DIST		REVISIONS				
P	LTR	DESCRIPTION	DATE	DWN	APVD			
		SEE SHEET 1						



DETAIL E
 4X INDIVIDUALLY
 SCALE 8:1

RECOMMENDED PCB LAYOUT
 COMPONENT SIDE SHOWN
 SCALE 4:1

PRELIMINARY PART- NOT RELEASED FOR PRODUCTION

THIS DRAWING IS A CONTROLLED DOCUMENT.		DWN 22SEP2010 M.E. COWHER	TE Connectivity	
DIMENSIONS: mm		CHK 06OCT2010 M.D. MORRISON		
TOLERANCES UNLESS OTHERWISE SPECIFIED:		APVD 06OCT2010 M.D. MORRISON	NAME RECEPTACLE ASSEMBLY WITH COVER, BELLY-BELLY, STANDARD, 84 POSITION, CXP	
		PRODUCT SPEC	SIZE CAGE CODE DRAWING NO RESTRICTED TO	
MATERIAL		APPLICATION SPEC	A200779C-2149699	
		WEIGHT	SCALE 1:1 SHEET 3 OF 3 REV 8	
		CUSTOMER DRAWING		