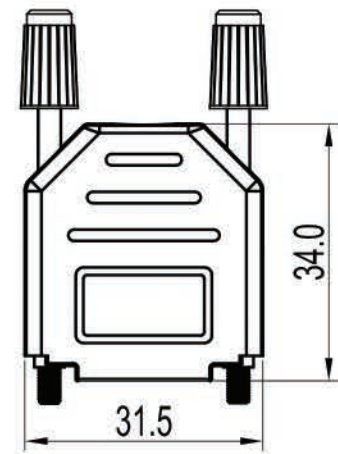
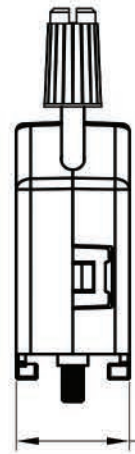


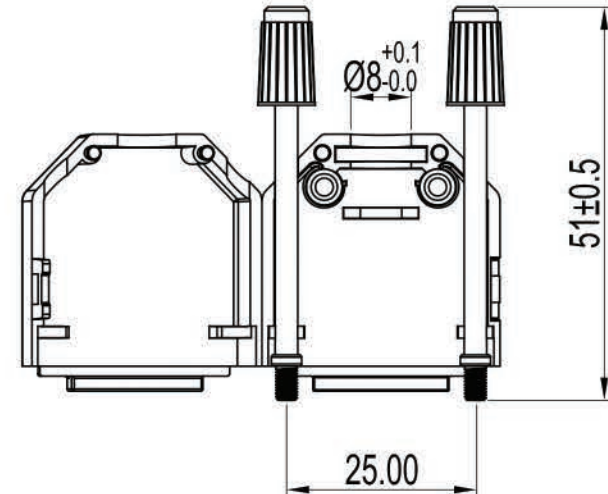
1 2 3 4 5 6 7



15.00

34.0

31.5



25.00

51±0.5

Ø8-0.0  
+0.1

**TECHNICAL SPECIFICATIONS**

Material: Plastic (PA), UL94-HB  
 Colour: Green  
 Operating Temperature: -55°C to +110°C  
 Thumbscrews: UNC 4-40  
 No. of contacts: 09-15-25-37-50

Item	QTY	Part description
1	1	Plastic Cover
2	2	EPS 3x8 Self Tapping Screw
3	1	Cable Clamp
4	1	Plastic Insert
5	2	Jackscrews UNC4-40x51mm

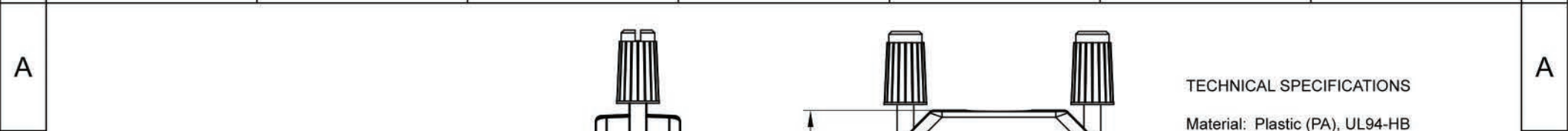
**RoHS compliant**  
Unit: mm

Scale	Free					Date	Name	
TOLERANCE						Drawn	17.08.2017	S.Bölling
0~6	±0.10					Approved	17.08.2017	S.Bölling
6~30	±0.20							
30~120	±0.30							
120~400	±0.50							
DIM	Tol	©	Drawn	17.08.2017	S.Bölling			
Angle	±1°	id.	Modification	Date	Name			
Angle	Tol							

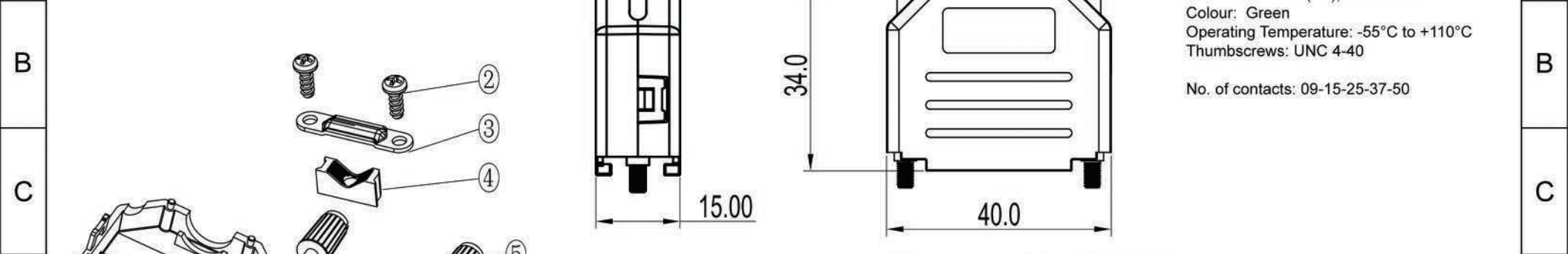
Customer-No.			
ASSMANN WSW-No.		ACOVSUB-09NB18	
Drawing-No.		ASS_5259_CO	rev00
Replace		Sheet 1/5	

1 2 3 4 5 6 7

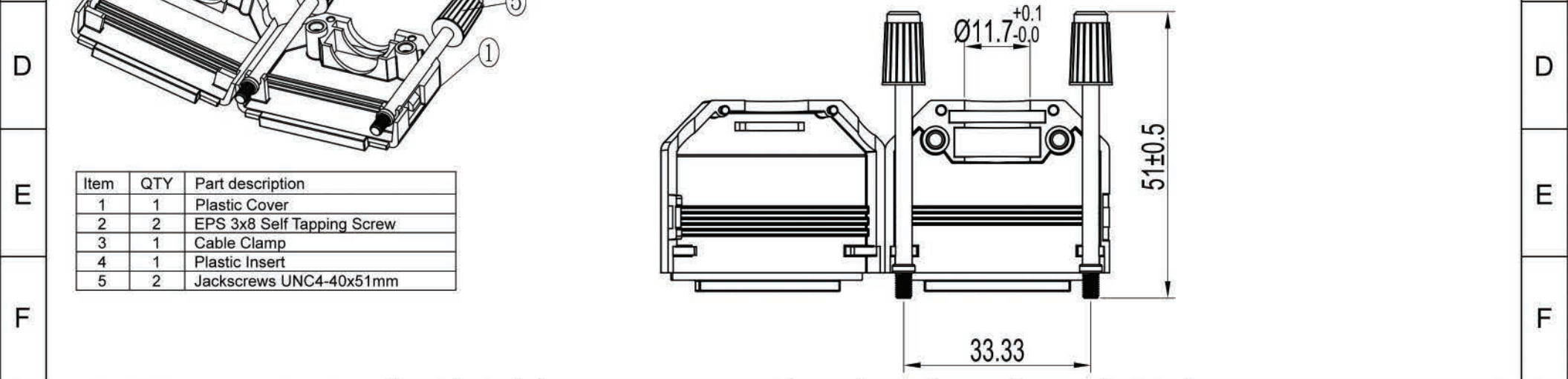
1 2 3 4 5 6 7



**TECHNICAL SPECIFICATIONS**  
 Material: Plastic (PA), UL94-HB  
 Colour: Green  
 Operating Temperature: -55°C to +110°C  
 Thumbscrews: UNC 4-40  
 No. of contacts: 09-15-25-37-50

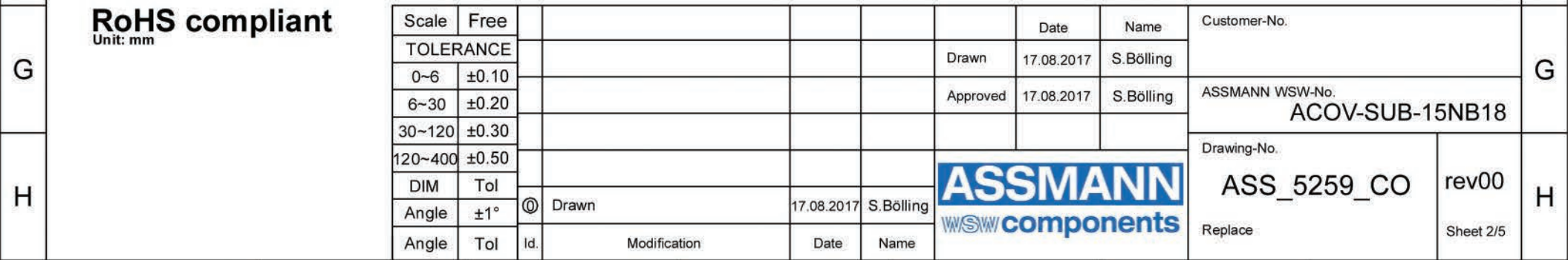


Item	QTY	Part description
1	1	Plastic Cover
2	2	EPS 3x8 Self Tapping Screw
3	1	Cable Clamp
4	1	Plastic Insert
5	2	Jackscrews UNC4-40x51mm



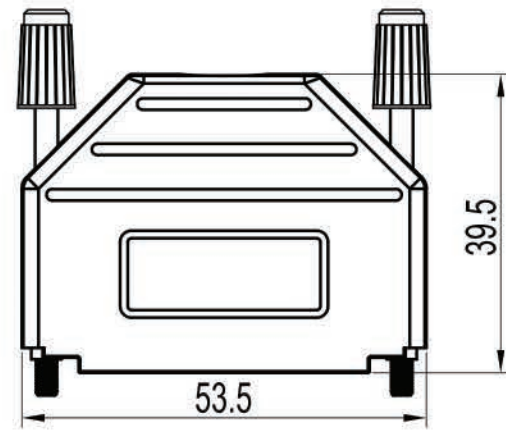
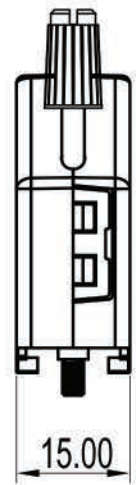
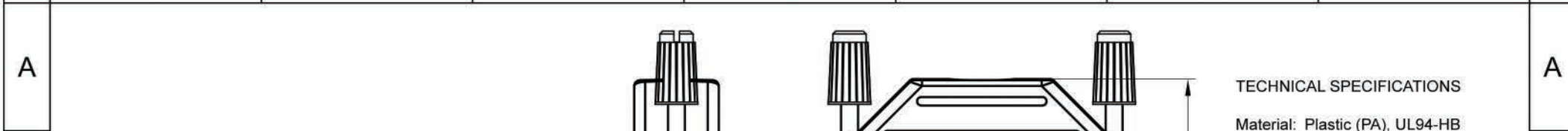
**RoHS compliant**  
 Unit: mm

Scale	Free				Date	Name	Customer-No.
TOLERANCE					Drawn	17.08.2017	S.Bölling
0~6	±0.10				Approved	17.08.2017	S.Bölling
6~30	±0.20						
30~120	±0.30						
120~400	±0.50						
DIM	Tol						
Angle	±1°	©	Drawn	17.08.2017	S.Bölling	<b>ASSMANN</b> WSW components ASS_5259_CO rev00 Sheet 2/5	
Angle	Tol	Id.	Modification	Date	Name		



1 2 3 4 5 6 7

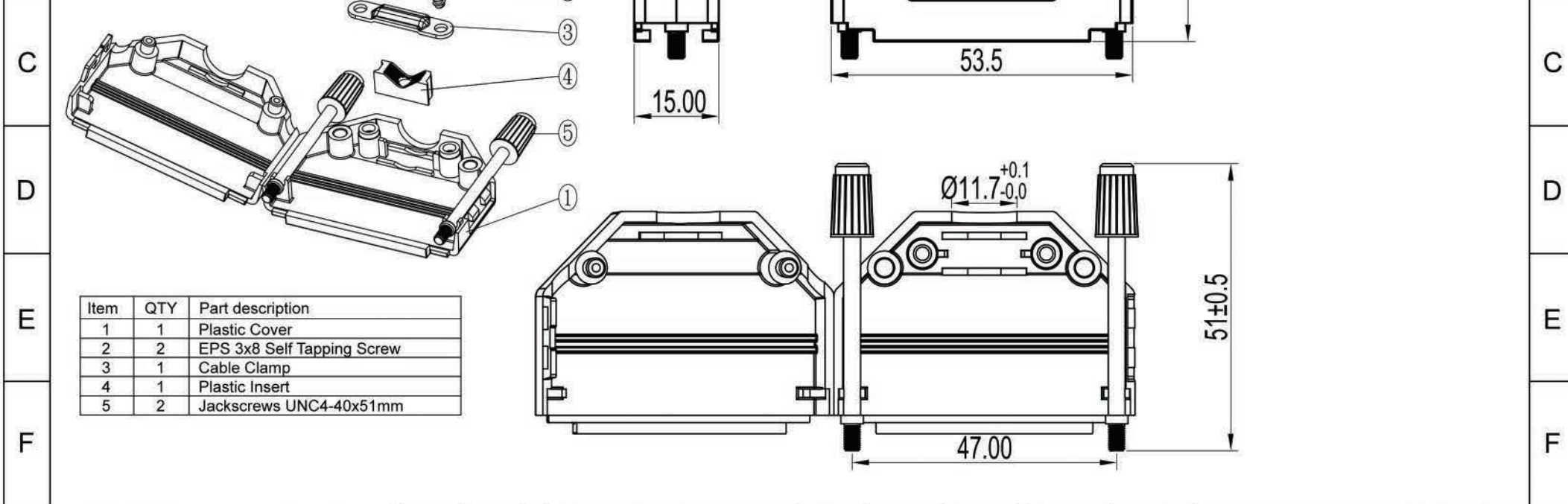
1 2 3 4 5 6 7



**TECHNICAL SPECIFICATIONS**  
 Material: Plastic (PA), UL94-HB  
 Colour: Green  
 Operating Temperature: -55°C to +110°C  
 Thumbscrews: UNC 4-40  
 No. of contacts: 09-15-25-37-50

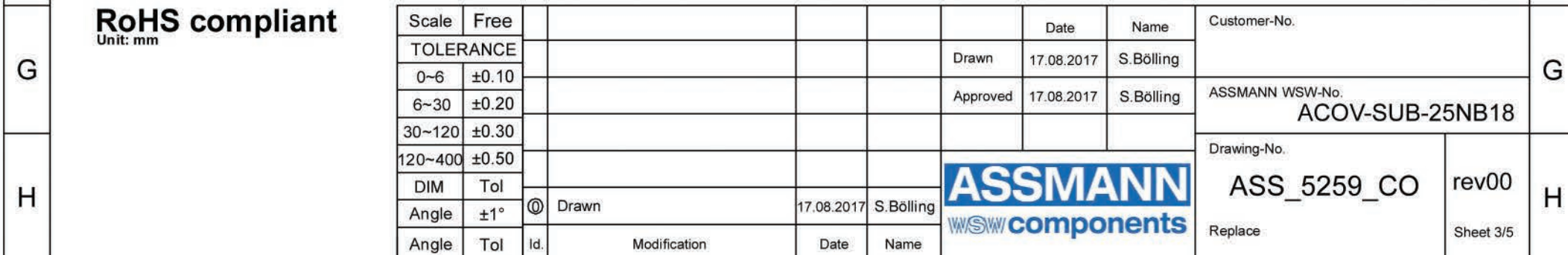


Item	QTY	Part description
1	1	Plastic Cover
2	2	EPS 3x8 Self Tapping Screw
3	1	Cable Clamp
4	1	Plastic Insert
5	2	Jackscrews UNC4-40x51mm



**RoHS compliant**  
 Unit: mm

Scale	Free				Date	Name	Customer-No.
TOLERANCE					Drawn	17.08.2017	S.Bölling
0~6	±0.10				Approved	17.08.2017	S.Bölling
6~30	±0.20						
30~120	±0.30						
120~400	±0.50						
DIM	Tol						
Angle	±1°	©	Drawn	17.08.2017	S.Bölling	ASSMANN WSW-No. <b>ACOV-SUB-25NB18</b>	
Angle	Tol	Id.	Modification	Date	Name	Drawing-No. <b>ASS_5259_CO</b> rev00	
						Replace Sheet 3/5	



1 2 3 4 5 6 7

1

2

3

4

5

6

7

A

B

C

D

E

F

A

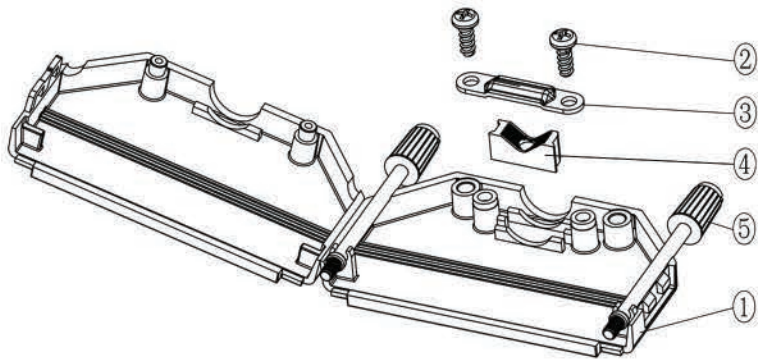
B

C

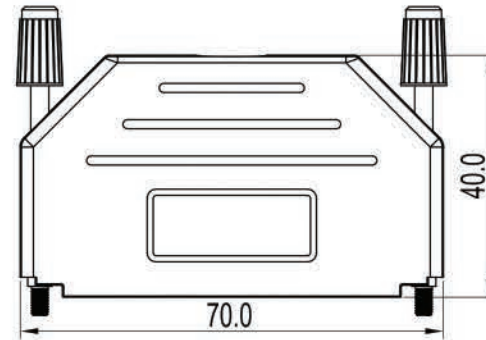
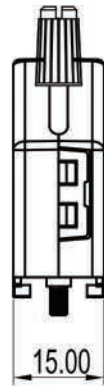
D

E

F



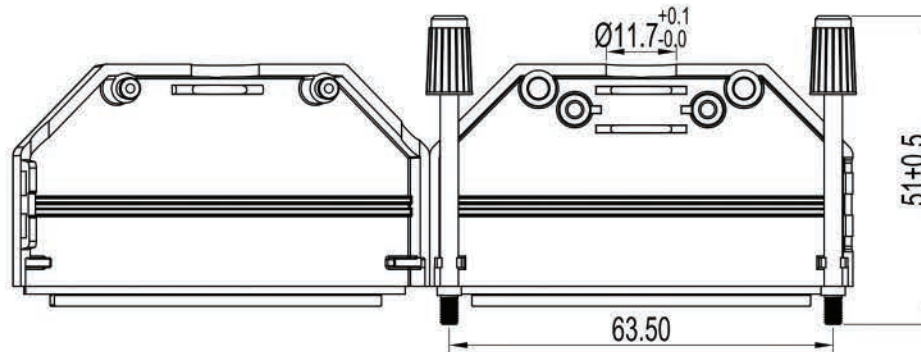
Item	QTY	Part description
1	1	Plastic Cover
2	2	EPS 3x8 Self Tapping Screw
3	1	Cable Clamp
4	1	Plastic Insert
5	2	Jackscrews UNC4-40x51mm



#### TECHNICAL SPECIFICATIONS

Material: Plastic (PA), UL94-HB  
 Colour: Green  
 Operating Temperature: -55°C to +110°C  
 Thumbscrews: UNC 4-40

No. of contacts: 09-15-25-37-50



**RoHS compliant**  
 Unit: mm

Scale	Free				Date	Name	Customer-No.
TOLERANCE					Drawn	17.08.2017	S.Bölling
0~6	±0.10				Approved	17.08.2017	S.Bölling
6~30	±0.20						
30~120	±0.30						
120~400	±0.50						
DIM	Tol						
Angle	±1°	©	Drawn	17.08.2017	S.Bölling		
Angle	Tol	Id.	Modification	Date	Name		

**ASSMANN**  
 WSW components

ASSMANN WSW-No.  
 ACOV-SUB-37NB18

Drawing-No.  
 ASS\_5259\_CO rev00

Replace  
 Sheet 4/5

1

2

3

4

5

6

7

SV4382

1 2 3 4 5 6 7

A

B

C

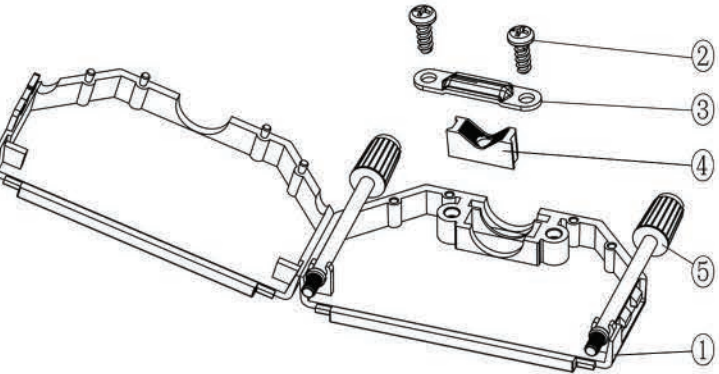
D

E

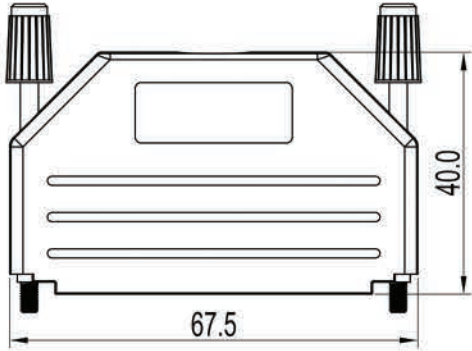
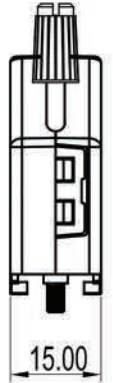
F

G

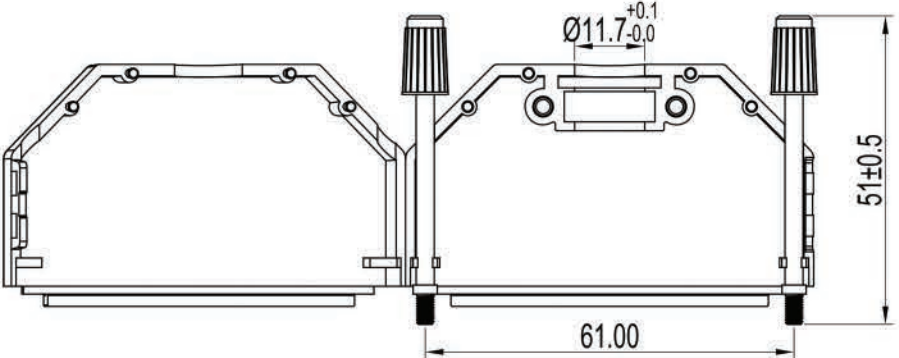
H



Item	QTY	Part description
1	1	Plastic Cover
2	2	EPS 3x8 Self Tapping Screw
3	1	Cable Clamp
4	1	Plastic Insert
5	2	Jackscrews UNC4-40x51mm



**TECHNICAL SPECIFICATIONS**  
 Material: Plastic (PA), UL94-HB  
 Colour: Green  
 Operating Temperature: -55°C to +110°C  
 Thumbscrews: UNC 4-40  
 No. of contacts: 09-15-25-37-50



**RoHS compliant**  
 Unit: mm

Scale	Free					Date	Name	Customer-No.
TOLERANCE						Drawn	17.08.2017	S.Bölling
0~6	±0.10					Approved	17.08.2017	S.Bölling
6~30	±0.20							
30~120	±0.30							
120~400	±0.50							
DIM	Tol							
Angle	±1°	Ⓢ	Drawn	17.08.2017	S.Bölling			
Angle	Tol	Id.	Modification	Date	Name			



Customer-No.  
 ASSMANN WSW-No.  
**ACOV-SUB-50NB18**  
 Drawing-No.  
**ASS\_5259\_CO** rev00  
 Replace Sheet 5/5

1 2 3 4 5 6 7 SV4382