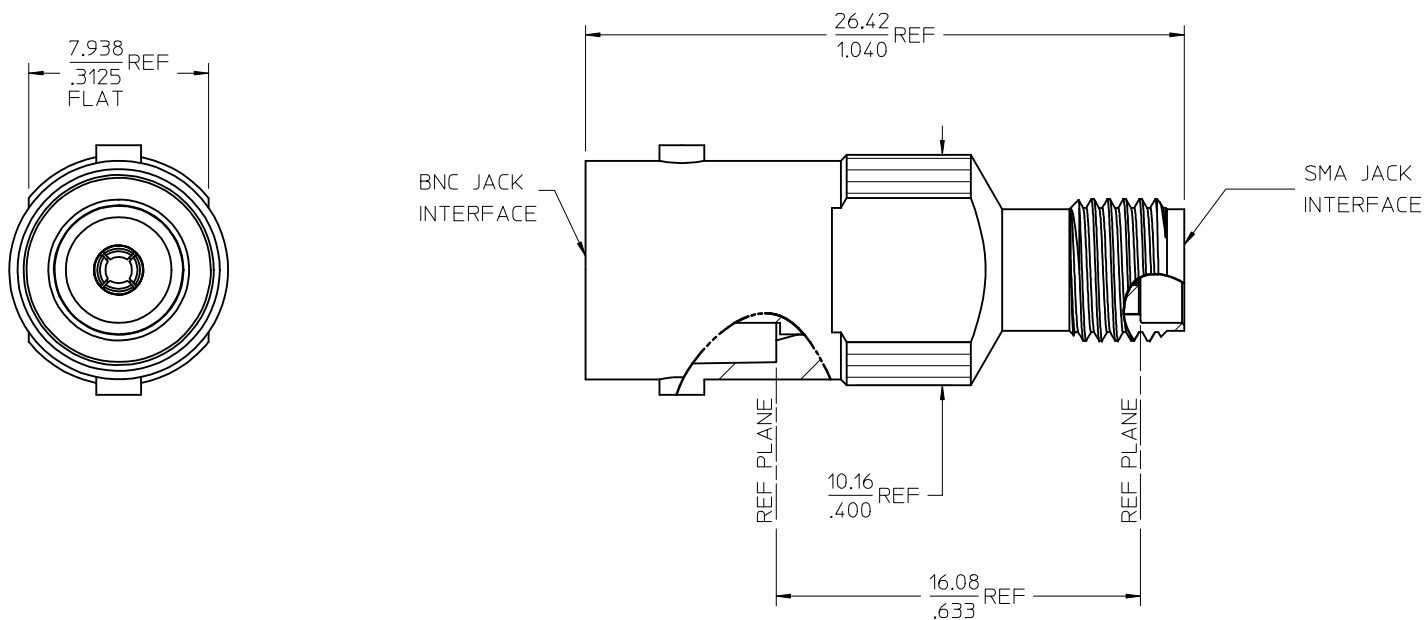
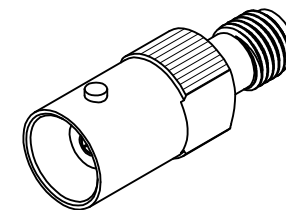


MATERIALS AND FINISHES

BODY STAINLESS STEEL
PASSIVATED

CENTER CONTACT BERYLLIUM COPPER
PLATED GOLD

INSULATOR TEFLON



PS-89675-2700	ELECTRO/MECH PERFORM.
MIL-STD-348A, FIG. 301-2	BNC INTERFACE
MIL-STD-348A, FIG. 310-2	SMA INTERFACE
SPECIFICATION	DESCRIPTION

73386-0042	TRAY
73386-0041	ONE PER BAG
PART NO.	PACKAGING

CHG: UPDATE VIEWS EC NO: URF2013-0380 DRWN: JWIENER 2013/01/08 CHKD: SSS 2013/01/08 APPR: JWIENER 2013/01/08	QUALITY SYMBOLS ▽=0 ▽=0	GENERAL TOLERANCES (UNLESS SPECIFIED)		DIMENSION STYLE MM/IN		SCALE	DESIGN UNITS METRIC	THIRD ANGLE PROJECTION	
		4 PLACES ± .000 ± .000 3 PLACES ± .000 ± .000 2 PLACES ± .000 ± .000 1 PLACE ± .000 ± .000	mm INCH	DRAWN BY DATE EDC 1997/12/29	TITLE BSA, BNC JACK TO SMA JACK ADAPTER, 50 OHMS EWR-2910 BSA-BNCJ/SMAJ				
		ANGULAR ± 2 °		CHECKED BY DATE DHG 1998/01/05	MOLEX MOLEX INCORPORATED				
		DRAFT WHERE APPLICABLE MUST REMAIN WITHIN DIMENSIONS		APPROVED BY DATE GMH 1998/01/05	MATERIAL NO. SEE TABLE	DOCUMENT NO. SD-73386-004	SHEET NO. 1 OF 1		