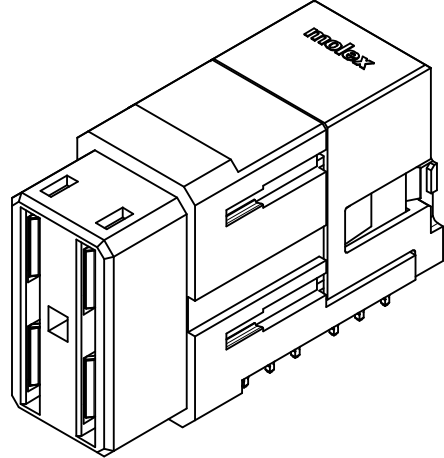
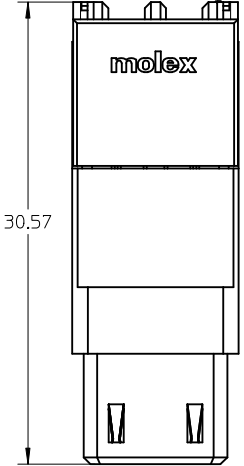
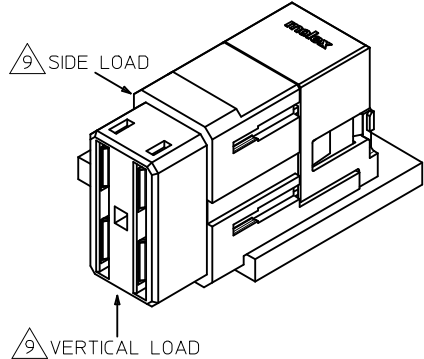
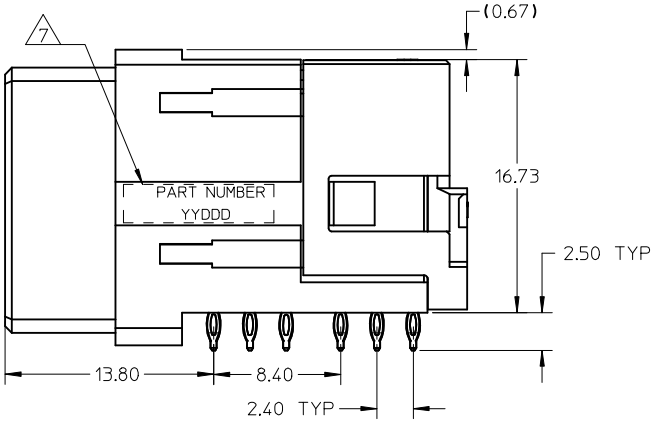
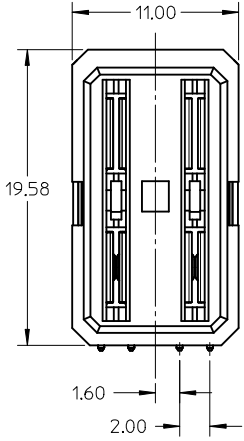


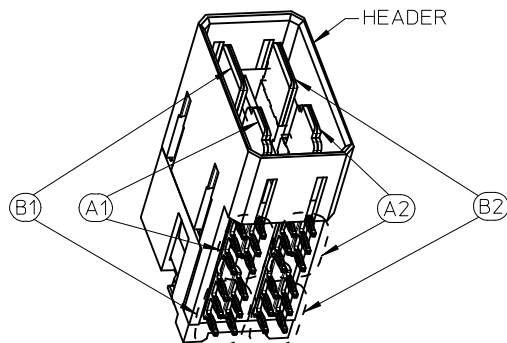
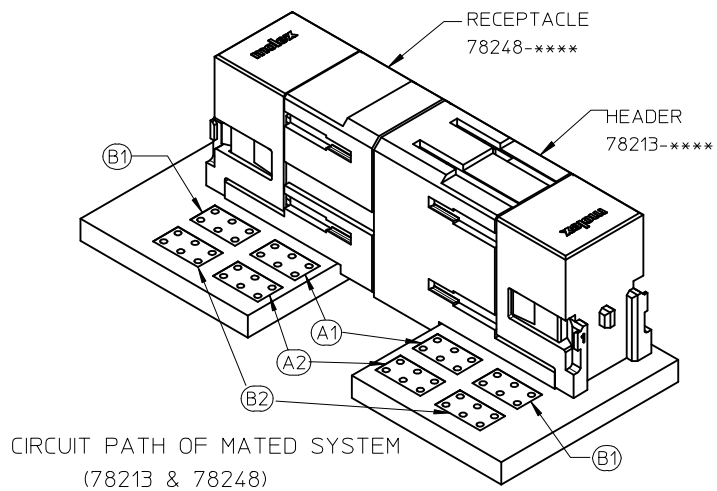
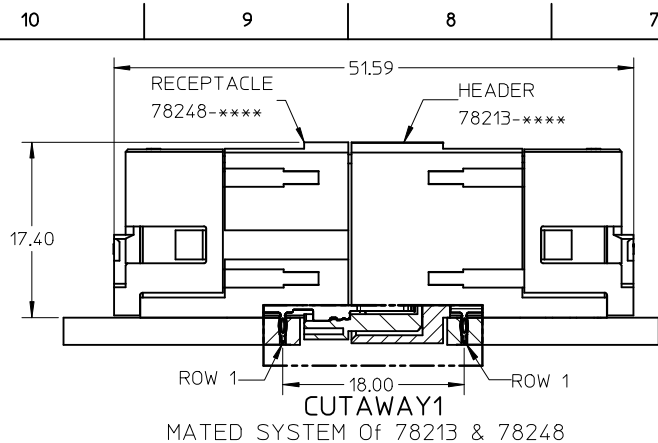
PART NUMBER	PLATING OPTIONS	PACKAGING
78248-1001	TIN PLATING	TRAY



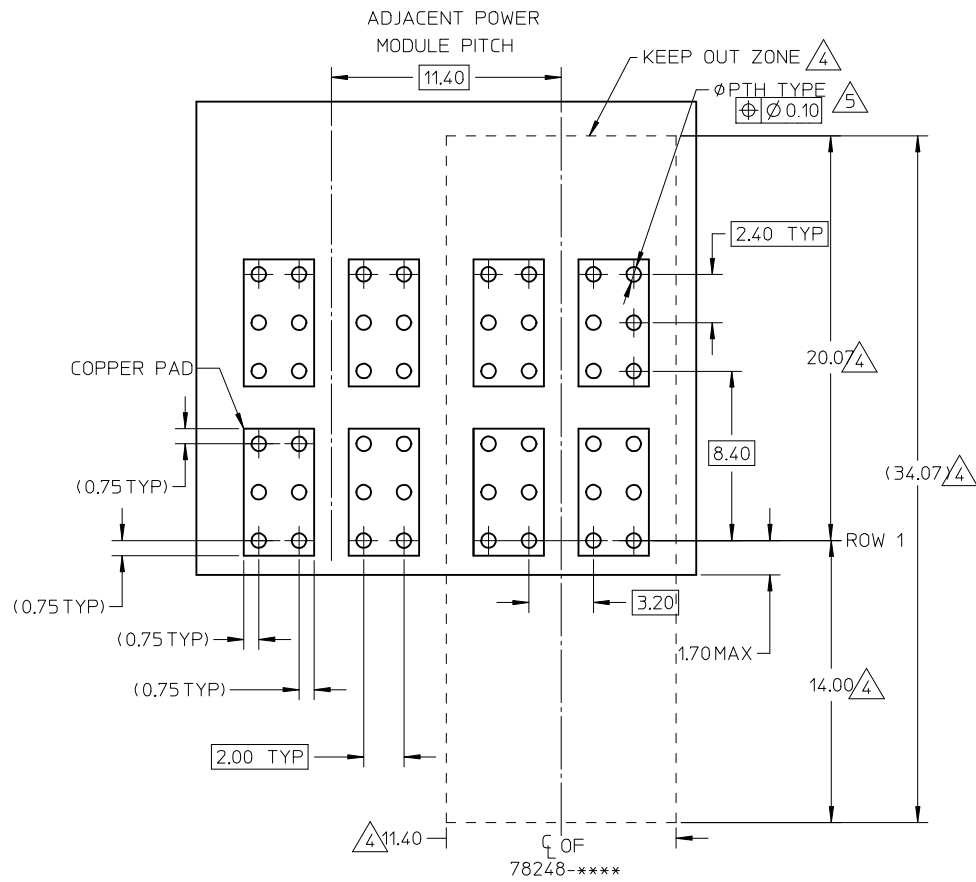
- NOTES:
- MATERIAL:  
HOUSING - LCP, GLASS FILLED, UL94-V0, COLOR: BLACK  
POWER PIN - COPPER ALLOY
  - FINISH OPTION:  
TIN - 0.76µm MINIMUM GOLD AT CONTACT AND  
2.54µm MINIMUM TIN AT SOLDER TAIL AREA OVER  
1.27µm MINIMUM NICKEL UNDERPLATE OVERALL.
  - PRODUCT SPECIFICATION: PS-78213-001.
  - KEEP OUT ZONE FROM OTHER COMPONENTS.
  - REFER TO MOLEX PRODUCT SPECIFICATION PS-78213-001 FOR PLATED THROUGH-HOLE SPECIFICATION.
  - MATES WITH 78213-\*\*\*\*.
  - PART NUMBER AND DATE CODE (YYDDD) APPROXIMATELY SHOWN.
  - PACKAGING SPECIFICATION: PK-78248-\*\*\*
  - A HOLD DOWN MODULE (78350 SERIES) SHALL BE EMPLOYED IF THERE IS A SIDE LOAD OR VERTICAL LOAD ACTING ON THE CONNECTOR.



SEE SHEET 2 EC NO: S2014-0872 DRWN: SHONG CHKD: HCGOH APPR: SILENI 2015/01/16 2015/04/07 2015/04/07	QUALITY SYMBOLS	GENERAL TOLERANCES (UNLESS SPECIFIED)	DIMENSION STYLE	SCALE	DESIGN UNITS	THIRD ANGLE PROJECTION
	$F_A=0$ $F_C=0$ $F_P=0$	mm INCH 4 PLACES ± --- ± --- 3 PLACES ± --- ± --- 2 PLACES ± 0.25 ± --- 1 PLACE ± --- ± --- ANGULAR ± 3 °	MM ONLY	NTS	METRIC	
	REV	DESCRIPTION	DRAWN BY	DATE	TITLE	
	A3		LNG	2009/12/29	IMPACT POWER, 4 PAIR RIGHT ANGLE RECEPTACLE PRESS-FIT	
		DRAFT WHERE APPLICABLE MUST REMAIN WITHIN DIMENSIONS	CHECKED BY	DATE	MOLEX INCORPORATED	
			ANG	2010/01/28	DOCUMENT NO. SD-78248-001	
			APPROVED BY	DATE	SHEET NO. 1 OF 3	
			SHONG	2010/01/29	THIS DRAWING CONTAINS INFORMATION THAT IS PROPRIETARY TO MOLEX INCORPORATED AND SHOULD NOT BE USED WITHOUT WRITTEN PERMISSION	



PIN NUMBER ASSIGNMENT BASED ON HEADER SIDE:  
 A1, B1 ON THE LEFT,  
 A2, B2 ON THE RIGHT.



RECOMMENDED PCB LAYOUT  
 (COMPONENT SIDE SHOWN)  
 MINIMUM BOARD THICKNESS: 1.60mm

<b>ADD VIEW</b> EC NO: S2014-0872 DRWN: SHONG CHKD: HICGOH APPR: SILENI 2015/01/16 2015/04/07 2015/04/07	QUALITY SYMBOLS $\nabla_A = 0$ $\nabla_C = 0$ $\nabla_P = 0$	GENERAL TOLERANCES (UNLESS SPECIFIED)		DIMENSION STYLE <b>MM ONLY</b>		SCALE <b>NTS</b>	DESIGN UNITS <b>METRIC</b>	THIRD ANGLE PROJECTION	
			mm	INCH	DRAWN BY	DATE	TITLE		
		4 PLACES	± ---	± ---	LNG	2009/12/29	<b>IMPACT POWER, 4 PAIR          RIGHT ANGLE RECEPTACLE          PRESS-FIT</b>		
		3 PLACES	± ---	± ---	CHECKED BY	DATE			
	± 0.25	± ---	ANG	2010/01/28	<b>MOLEX INCORPORATED</b>				
2 PLACES	± 0.25	± ---	APPROVED BY	DATE					
1 PLACE	± ---	± ---	SHONG	2010/01/29	<b>SD-78248-001</b>				
ANGULAR ± 3 °		DRAFT WHERE APPLICABLE MUST REMAIN WITHIN DIMENSIONS		MATERIAL NO.				DOCUMENT NO.	SHEET NO.
				SEE TABLE		SD-78248-001		2 OF 3	
				SIZE A3		THIS DRAWING CONTAINS INFORMATION THAT IS PROPRIETARY TO MOLEX INCORPORATED AND SHOULD NOT BE USED WITHOUT WRITTEN PERMISSION			