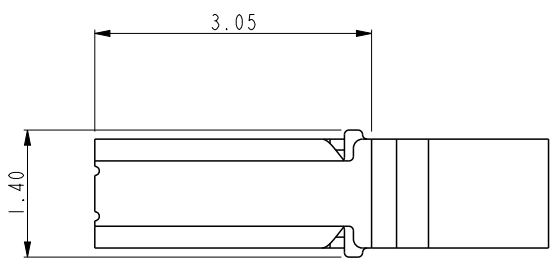
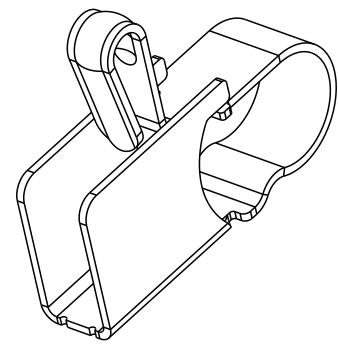
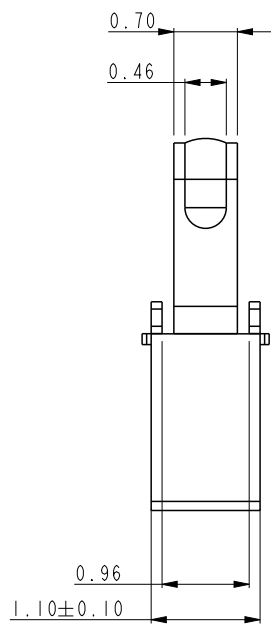
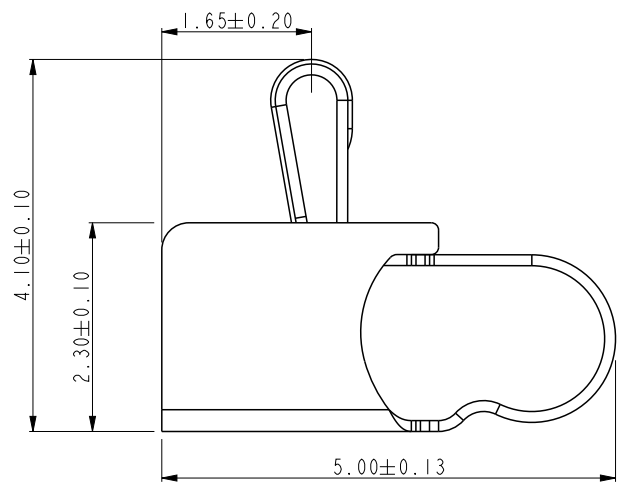




Copyright FCI.

PRODUCT NO.	
FCI	10128875-009RLF



NOTES:
 1.MATERIAL: COPPER ALLOY.
 2.CONTACT PLATING:
 CONTACT AREA: PLATING 1um GXT OVER Ni UNDERPLATE.
 SOLDER AREA : PLATING GOLD FLASH OVER Ni UNDERPLATE.
 3.PACKAGING: TAPE & REEL
 4.PART NUMBER DESCRIPTION:
 10128875-0 0 X X X
 X : LF:LEAD FREE
 X : R : TAPE AND REEL
 X : CONTACT PLATING:
 9 : 1um GXT over Ni

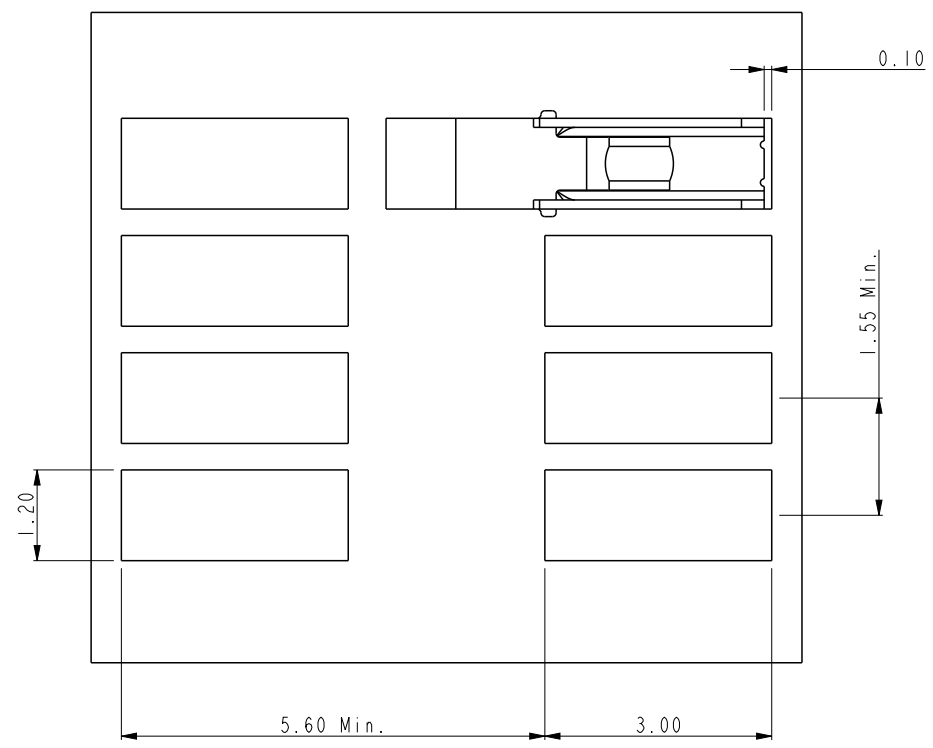
rev	ecn no	dr	date
A	INITIAL RELEASE	AL	2014-05-12

spec ref	*	dr	Andy Lu	2014/05/11	projection 	mm 	size	A4	scale	12.000		
tolerance std	TOLERANCES UNLESS OTHERWISE SPECIFIED	eng	Andy Lu	2014/05/13			ecn no	-				
ASME Y14.5		chr	-	-			rel level	Released				
surface	✓	appr	Pei-Ming Zheng	2014/05/13	product family	-	product family	-	rel level	Released		
ASME Y14.5	linear	0.X	±0.3		title	ANTENNA CONNECTOR		dwg no	10128875		rev	A
		0.XX	±0.15			UNIVERSAL CONTACT						
		0.XXX	±0.050			cat. no.	Product - Customer Drw		sheet 1 of 2			
	angular	0°	±2°	www.fci.com								

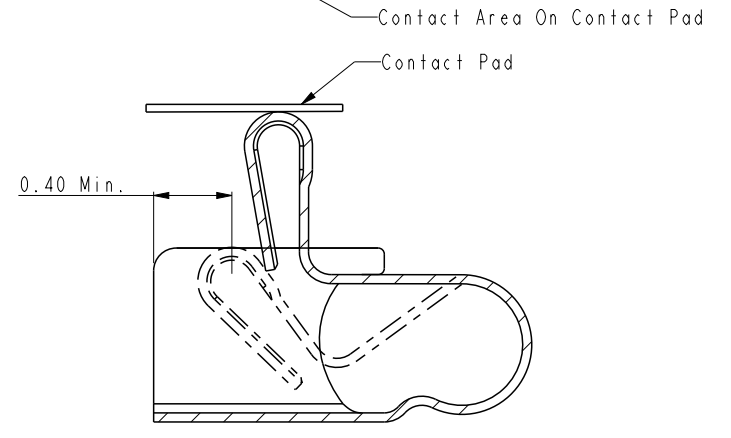
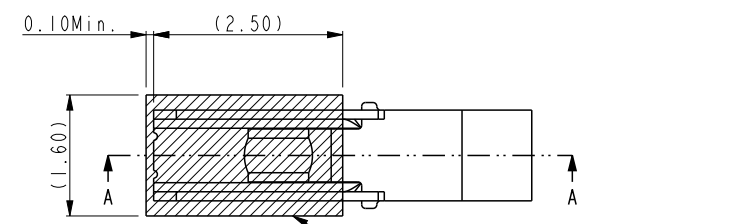
ProE File - REV C - 2009-06-09



Copyright FCI.



RECOMMENDED PCB DIMENSION & MIN. PITCH
TOLERANCE: +/-0.05



SECTION A-A
SCALE 10.000

RECOMMENDED CONTACT AREA DIMENSION

- NOTES(PCB):
- CONTACT AREA PLATING:
PLATING GOLD 0.75um MIN OVER NICKLE.
 - CLEANNES, FLATNESS AND OTHER RELEVANT REQUIREMENTS SHALL BE IN ACCORDANCE WITH IPC A-600H.
 - FOR REFERENCE ONLY AND DETAIL SPECIFICATION SHOULD BE DEFINED BY CUSTOMER ACCORDINGLY TO MANUFACTURING PROCESS.

spec ref	*	dr	Andy Lu	2014/05/11	projection 	mm ←→	size	A4	scale	12.000	
tolerance std	TOLERANCES UNLESS OTHERWISE SPECIFIED	eng	Andy Lu	2014/05/13			ecn no	-			
ASME Y14.5		chr	-	-			rel level	Released			
surface	✓	appr	Pei-Ming Zheng	2014/05/13	product family	-	dwg no	10128875	rev	A	
ASME Y14.5	linear	0.X	±0.3		title	ANTENNA CONNECTOR		www.fci.com	cat. no.	Product - Customer Drw	sheet 2 of 2
		0.XX	±0.15			UNIVERSAL CONTACT					
		0.XXX	±0.050								
	angular	0°	±2°								

PrdE File - REV C - 2009-06-09