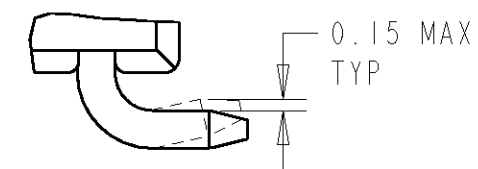
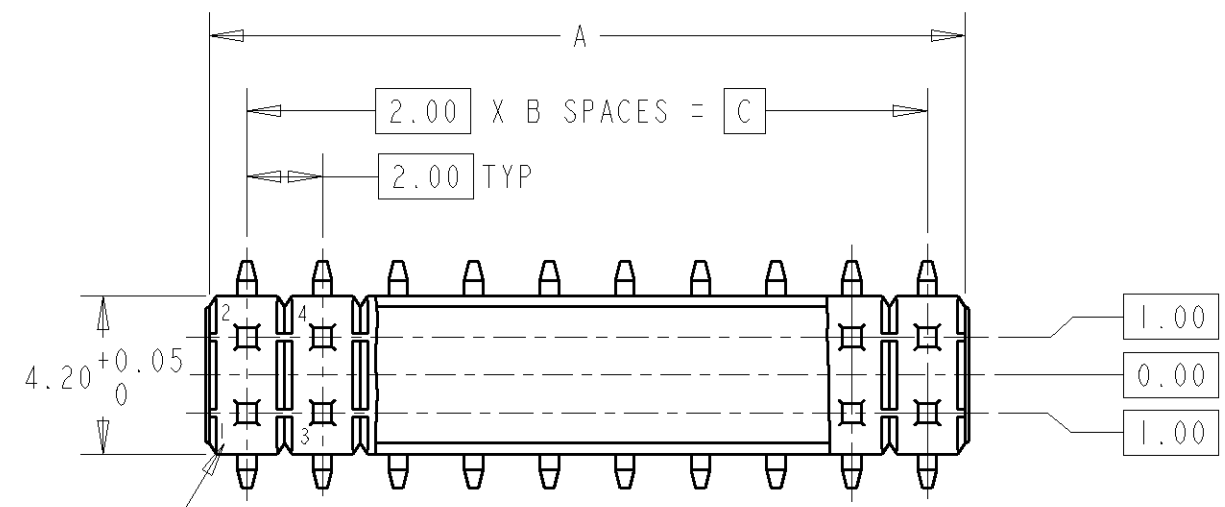


THIS DRAWING IS UNPUBLISHED. RELEASED FOR PUBLICATION .19
 © COPYRIGHT 19 BY AMP INCORPORATED. ALL RIGHTS RESERVED.

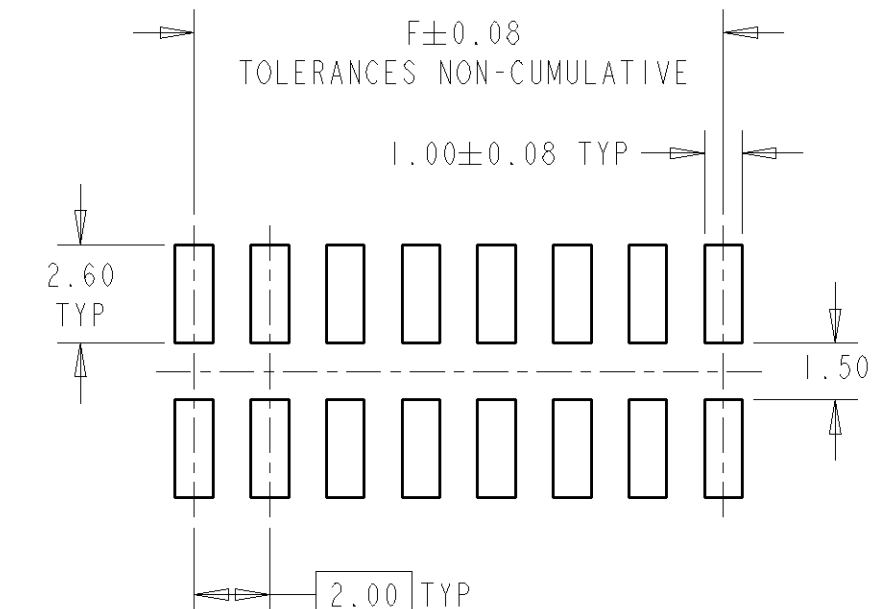
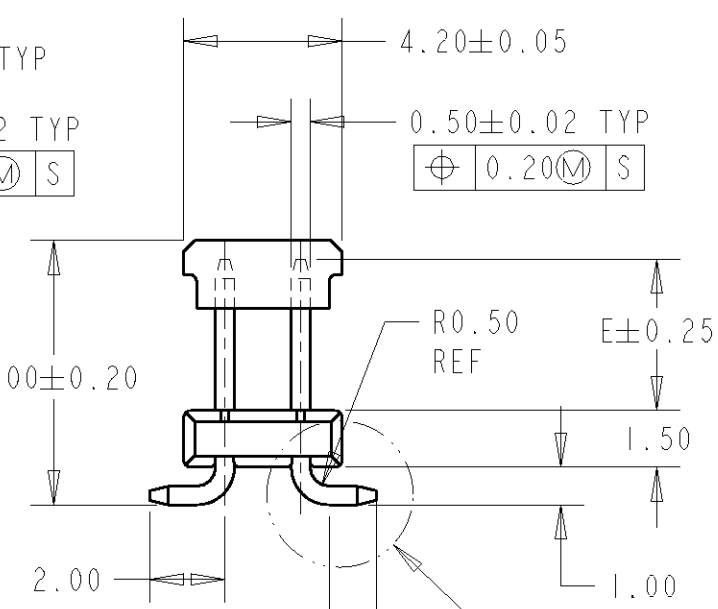
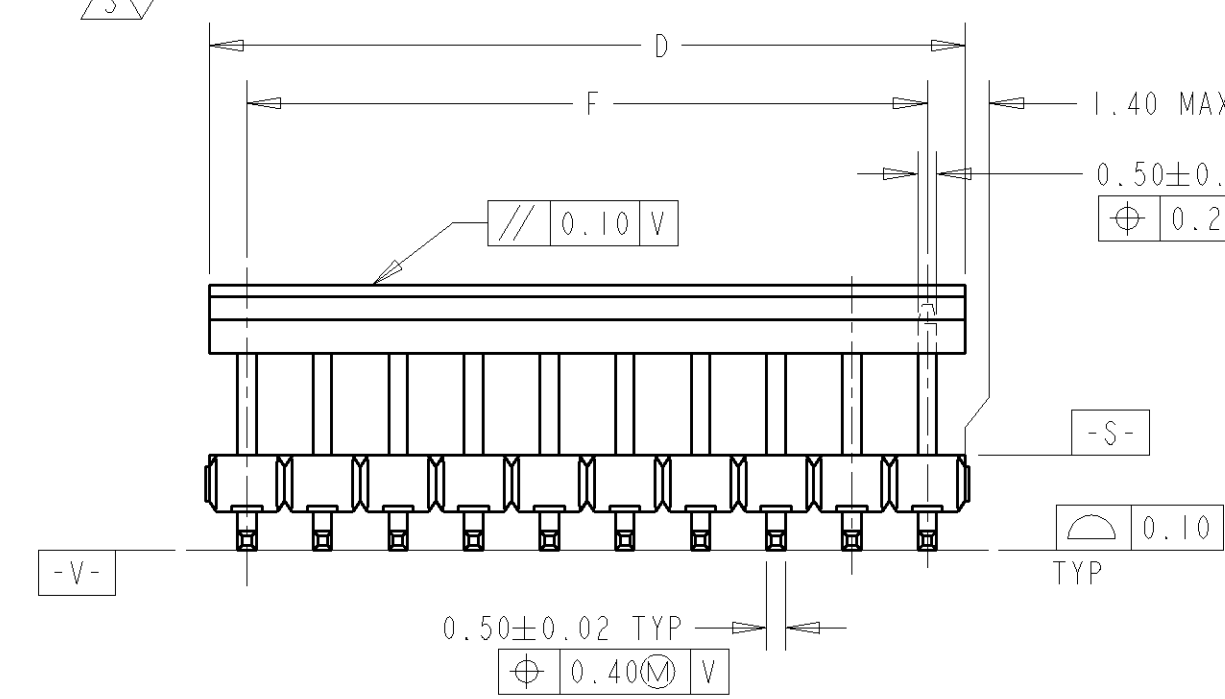
LOC	DIST	REVISIONS					
		P	LTR	DESCRIPTION	DATE	DWN	APVD
DY	-		02	REVISED ECR-07-009173	19APR07	GKT	LSF



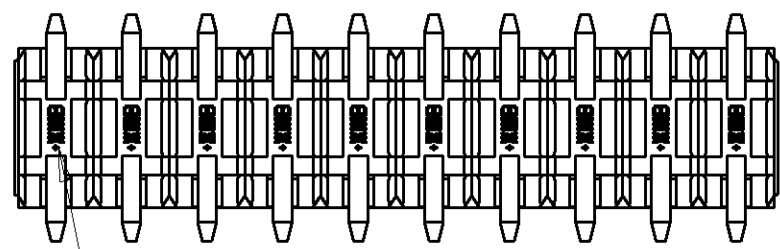
DETAIL B
SCALE 10:1

NOTE:

- 1 MATERIAL:
HOUSING: HIGH TEMPERATURE THERMOPLASTIC, UL94V-0
POST: PHOSPHOR BRONZE
- 2 FINISH:
CONTACT AREA: 0.08µm MIN Au OVER 0.76µm MIN
PALLADIUM-NICKEL OR 0.76µm MIN GOLD
SOLDERTAIL: 0.05µm MIN TO 0.2µm MAX GOLD FLASH
- 3 POST POSITION NUMBERS FOR REFERENCE ONLY



GOLD FLASH PLATING AREA SEE DETAIL B



AMP TRADEMARK

TAPE & REEL	8	4.00	6	8	4	10	10	5084702-2
TAPE & REEL	18	4.00	20	18	9	20	20	5084702-1
PACKAGING	F	E	D	C	B	A	POS.	PART NO.

THIS DRAWING IS A CONTROLLED DOCUMENT FOR AMP INCORPORATED. IT IS SUBJECT TO CHANGE AND THE CONTROLLING ENGINEERING ORGANIZATION SHOULD BE CONTACTED FOR THE LATEST REVISION.		DWN WYLEE 29MAR05	tyco Electronics Tyco Electronics Singapore Pte. Ltd.
DIMENSIONS: mm		CHK VINCENT TAN	
TOLERANCES UNLESS OTHERWISE SPECIFIED: 0 PLC ± 1 PLC ±0.20 2 PLC ±0.25 3 PLC ±0.30 4 PLC ±0.20 ANGLES ±3°		APVD SEIFONG	NAME HEADER ASSY, AMPMODU 2mm SMT VERTICAL WITH BENT LEADS AND PICK-UP CAP
MATERIAL 1		PRODUCT SPEC 108-	SIZE A3
FINISH 2		APPLICATION SPEC 114-	CAGE CODE 00779
		WEIGHT -	DRAWING NO 5084702
		CUSTOMER DRAWING	SCALE 5:1 SHEET 1 OF 1 REV 02