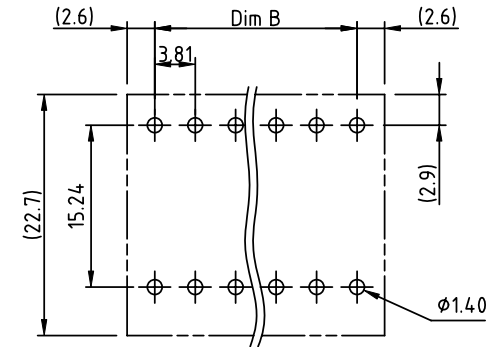
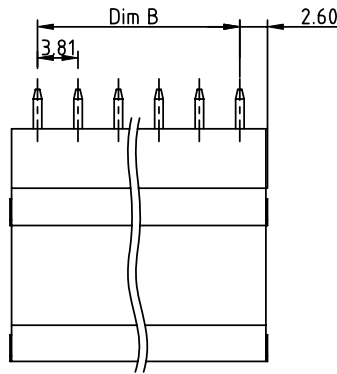
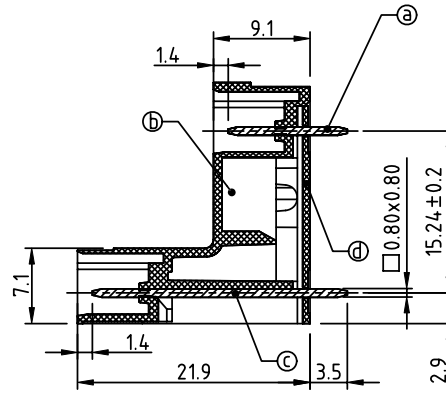
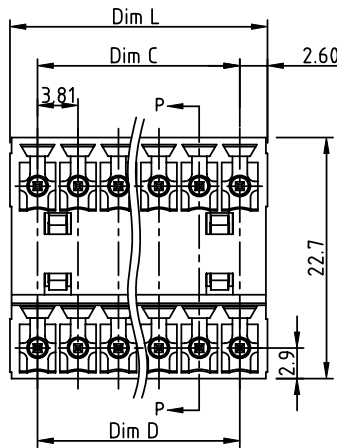


PRODUCT NUMBER	PITCH
VOxx31x000J0G	3.81 mm



RECOMMENDED P.C.B LAYOUT
TOP VIEW



SECTION P-P

Material:

- Item a Short pin: copper Tin plated
- Item b Insulator(housing):Thermoplastic (UL94V-0)
- Item c Long pin: copper Tin plated
- Item d Terminal(cover):Thermoplastic (UL94V-0)

Electrical:

- Voltage rating: 300V
- Current rating: 10A
- Withstanding Voltage: 1.6 KV
- Operating temperature: -40°C to +115°C
- Soldering temperature: 260°C±5°C/5 Sec
- Safety Approval: cULus

PART NO.: VO xx 31 x 0 00J0 G

N=Number of poles

Dimension	Dimension
Dim L	$N/2 \times 3.81 + 1.39$
Dim B	$(N/2 - 1) \times 3.81$
Dim C	$(N/2 - 1) \times 3.81$
Dim D	$(N/2 - 1) \times 3.81$

Poles	Tolerance
2x2P-2x5P	±0.15
2x6P-2x10P	±0.20
2x11P-2x15P	±0.25
2x16P-2x20P	±0.30
2x21P-2x24P	±0.35

- Solid block
 - No. of poles
 - Color
 - RoHS compliant (lead<4% In copper Alloy)
- | | |
|---------------------|---|
| 0 Black (RAL9005) | 1 |
| 2 Red (RAL3001/D) | 2 |
| 3 Orange(RAL2011/P) | 3 |
| 4 Yellow(RAL1018/A) | 4 |
| 5 Green(RAL6018/T) | 5 |
| 6 Blue (RAL5015/A) | 6 |
| 8 Grey(RAL7035/D) | 8 |
| 9 White(RAL1102) | 9 |
| C Green(RAL6018/U) | C |

mat'l. code		surface ASME Y14.5	tolerance ASME Y14.5	projection	product family TERMINAL BLOCK
ltr	ecn no	dr	date	 MM	title TERMINAL BLOCK PLUGGABLE SOCKET,VERTICAL
tolerances unless otherwise specified					
angles		X.±0.5		scale	dwg no VOxx31x000J0G
X*±1*		X.XX±0.1			
dr		EVIN ZHONG	042914		size A4
enrg		EVIN ZHONG	042914		
chr		HANKE FENG	042914		
appd		SHI JUN	042914		
sheet index	revision	A	1	type CUSTOMER Drawing	