

4

3

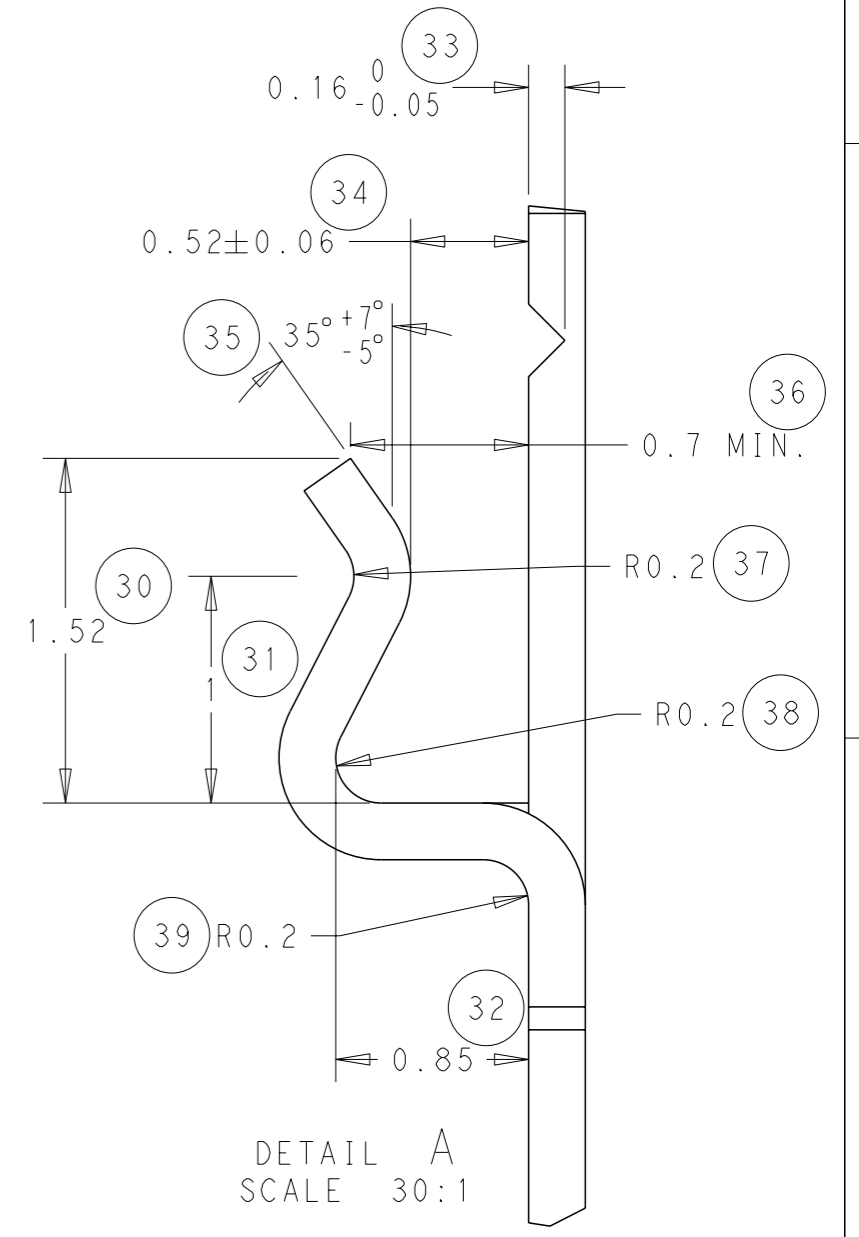
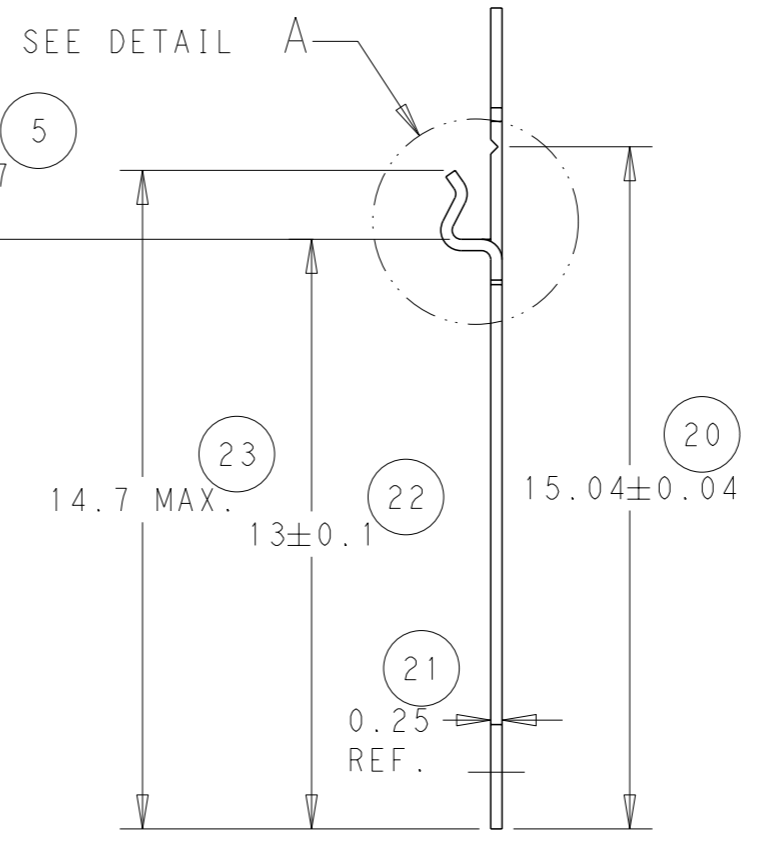
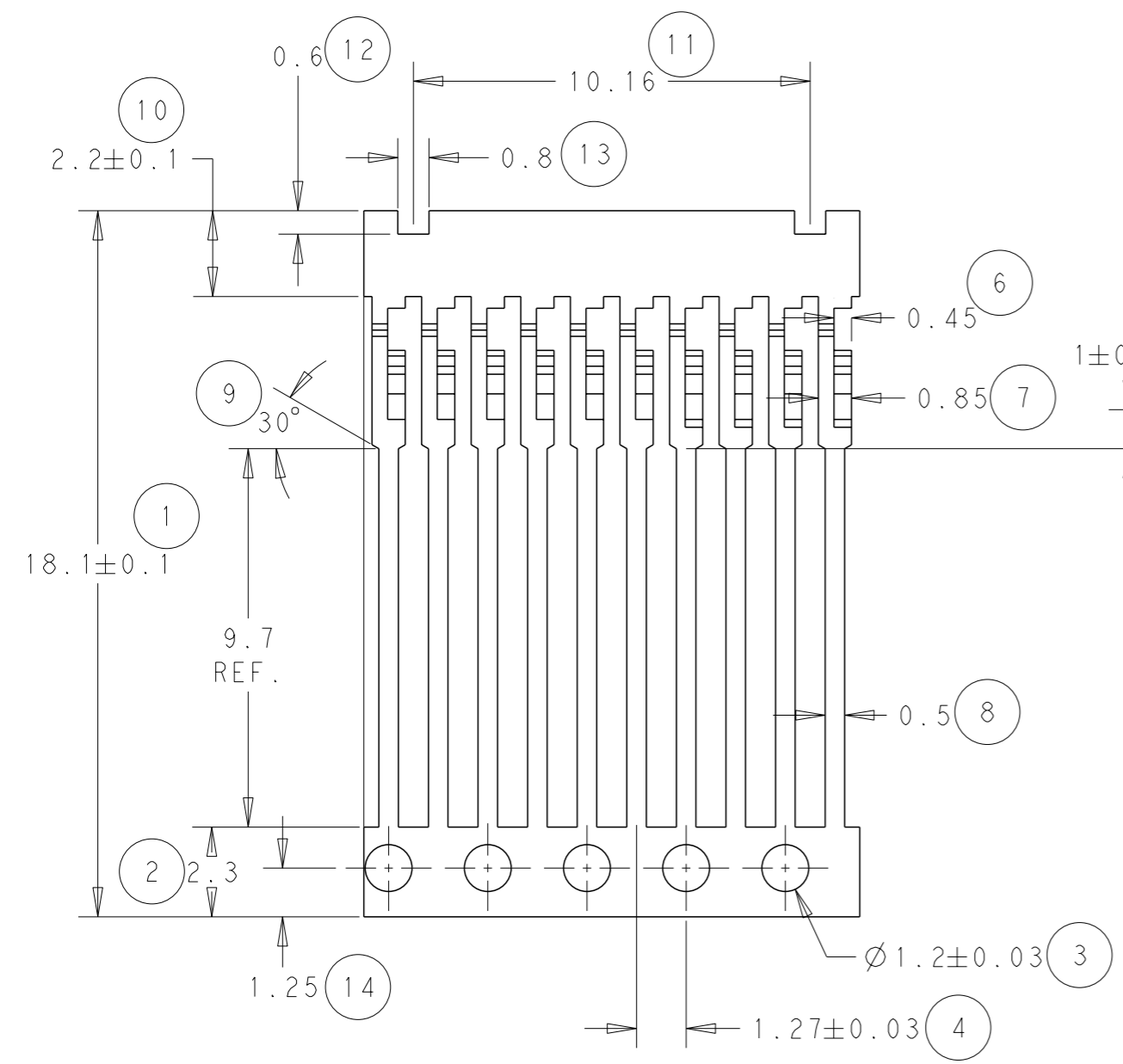
2

1

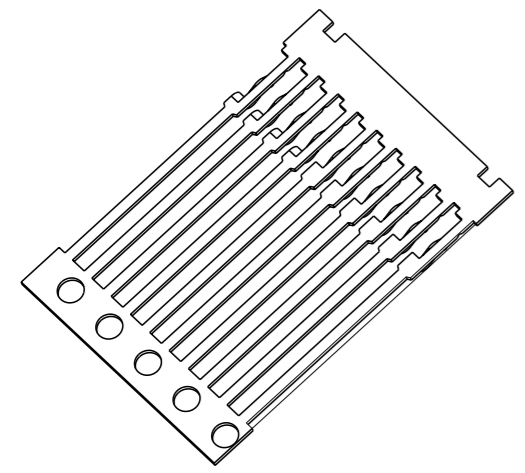
THIS DRAWING IS UNPUBLISHED. RELEASED FOR PUBLICATION 2011

© COPYRIGHT 2011 TE CONNECTIVITY ALL RIGHTS RESERVED.

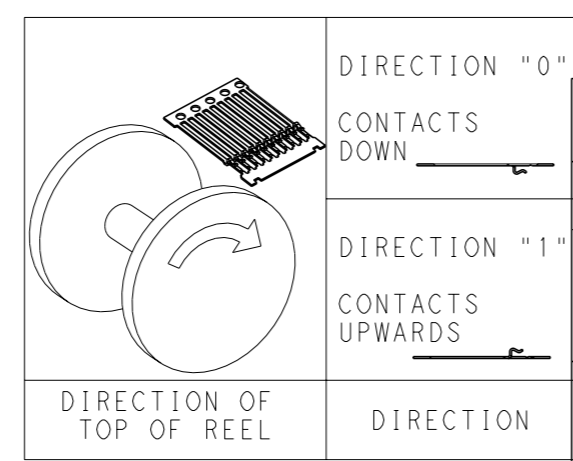
| LOC | DIST | REVISIONS | | | | |
|-----|------|-------------|---------------|----------|------|----|
| P | LTR | DESCRIPTION | DATE | DWN | APVD | |
| B | - | F | ECR-11-017591 | 24/08/11 | JB | MG |
| | | G | ECR-11-018763 | 12/09/11 | JB | MG |
| | | H | ECR-11-019621 | 11/10/11 | JB | MG |



NOTE
 BOWING: AFTER UPPER TIE BAR REMOVAL- 1.5mm MAX. FOR 500mm
 PITCH: AFTER UPPER TIE BAR REMOVAL- 1.27±0.1



SCALE 3:1



THIS DRAWING IS A CONTROLLED DOCUMENT.

| | |
|-------------|--|
| DIMENSIONS: | TOLERANCES UNLESS OTHERWISE SPECIFIED: |
| mm | 0 PLC ±- |
| | 1 PLC ±- |
| | 2 PLC ±0.05 |
| | 3 PLC ±- |
| | 4 PLC ±- |
| | ANGLES ±0.5 |
| MATERIAL | FINISH - |
| SEE ABOVE | |

| | | | | | |
|-----------------------------|---|-----------------|----------------------|---------------|-------|
| 0 | Ni & Sn | 1544426-2 | | | |
| 0 | Sn | 1544426-1 | | | |
| REELING | FINISH | PART NUMBER | | | |
| DWN J. BRIGHT 24/08/11 | TE Connectivity NAME SIL CONTACT - - | | | | |
| CHK M. GREENER 24/08/11 | | | | | |
| APVD D. PENNINGTON 24/08/11 | | | | | |
| PRODUCT SPEC | | | | | |
| APPLICATION SPEC | SIZE A3 | CAGE CODE 00779 | DRAWING NO C-1544426 | RESTRICTED TO | |
| WEIGHT - | CUSTOMER DRAWING | | SCALE NTS | SHEET 1 OF 1 | REV H |