

A

B

C

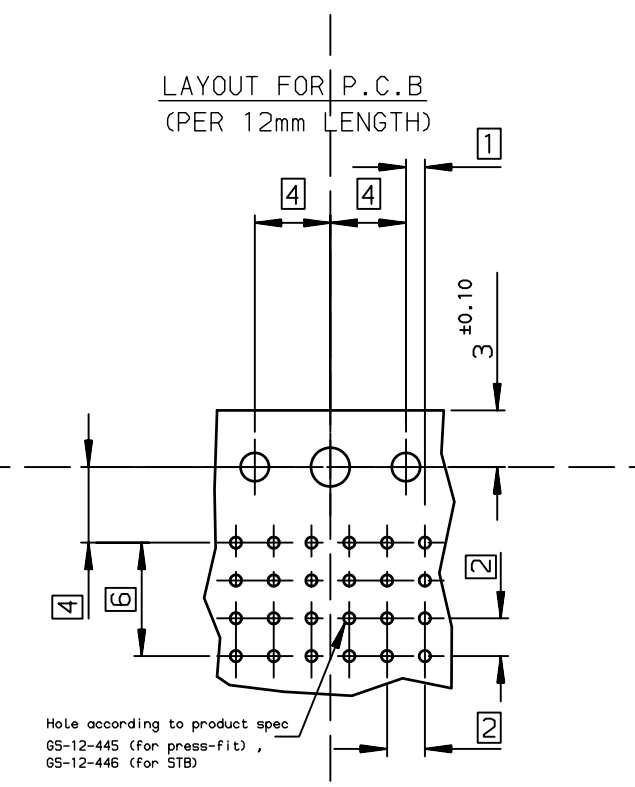
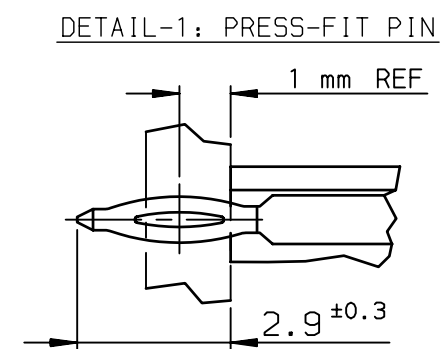
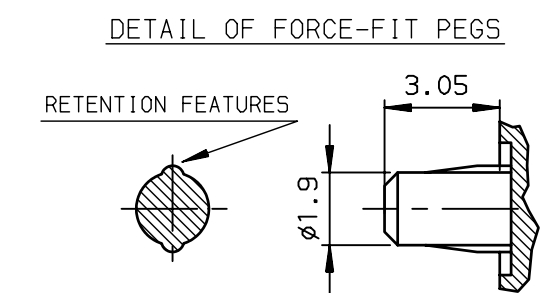
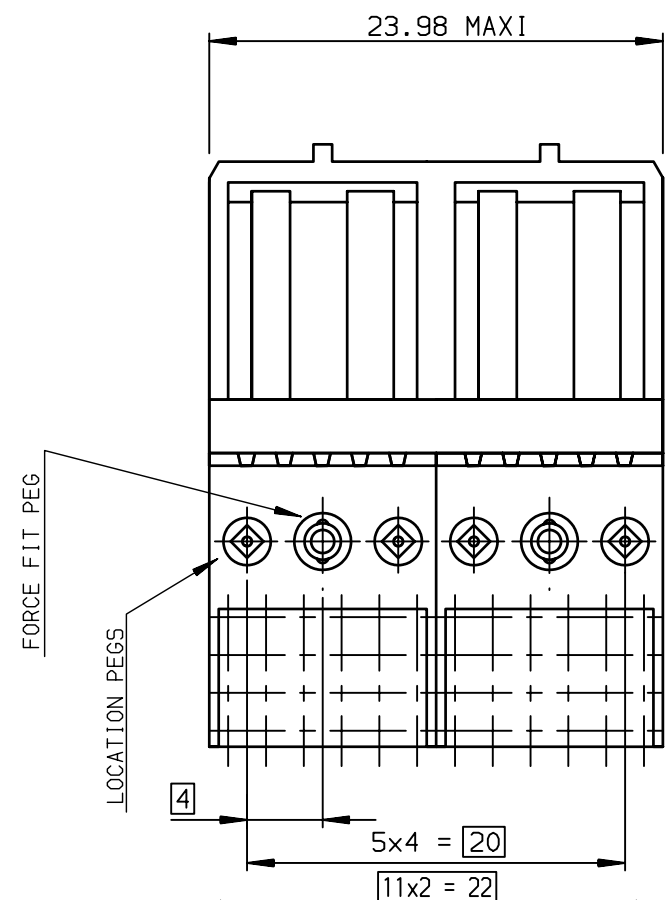
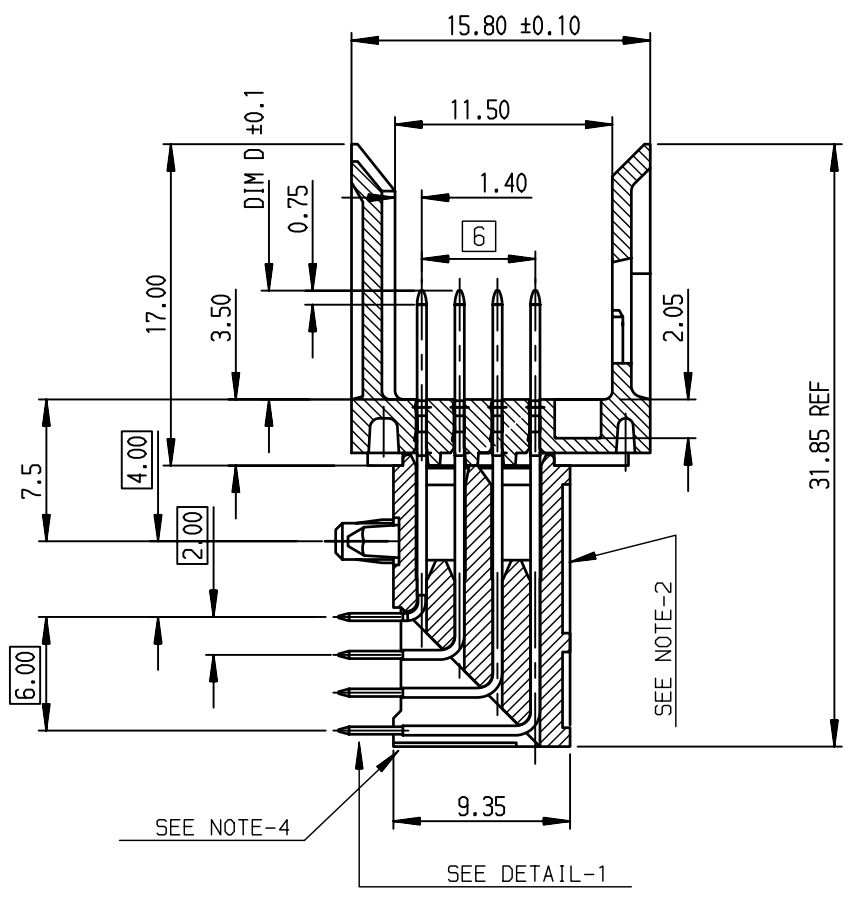
D

A

B

C

D



Part Number: HM1L42xDP485H6P / ---485H6PLF

MATING LENGTH DIM-P / REPLACE 'x' BY:

| | ROW-A | ROW-B | ROW-C | ROW-D |
|-----|-------|-------|-------|-------|
| D = | 6.50 | 6.50 | 6.50 | 6.50 |
| | | | | |
| | | | | |
| | | | | |
| | | | | |
| | | | | |

SEE NOTE-7

GENERAL CHARACTERISTICS AND ROHS INFORMATIONS:
SEE PRODUCT SPECIFICATION GS-12-445

- NOTE-1: FLAT ROCK INSERTION TOOLING, ON ALL THIS SURFACE
- NOTE-2: EYE OF THE NEEDLE PRESS FIT PIN TYPE
- NOTE-3: REAR END SUPPORT FOR BETTER ASSY ON PCB
- NOTE-4: PACKAGING IN TRAY + COVER
IF SUFFIX "P" IS ADDED IN P/N PACKAGING IS IN TRAYS
BUT CONNECTOR MARKING IS WITHOUT "P"
EXAMPLE: HM1XXXXXXXXXH6P, MARKED HM1XXXXXXXXXH6
- NOTE-5: INSULATOR MATERIAL: GLASS FILLED THERMOPLASTIC MATERIAL, (VAPOR PHASE OR INFRARED COMPATIBLE), FLAMMABILITY RATING UL94-V-0.
- NOTE-6: SPECIFIC REQUIREMENT DESIGNATIONS, FOR THE ROW AND COLUMN DESIGNATION MARKINGS ROTATED 180 DEGREES

| rev | ecn no | dr | date |
|-----|-----------|-----|------------|
| E | - | - | 2005/03/07 |
| F | LS06-0131 | MLE | 2006/08/24 |
| G | LS07-0089 | LGO | 2007/03/28 |
| H | LS07-0184 | MLE | 2007/07/27 |
| - | - | - | - |
| - | - | - | - |
| - | - | - | - |

| | | | | | |
|---|----------|--------------------|--------------------------------|---------------------|---------------|
| www.fciconnect.com | | surface ISO 1302 ✓ | tolerance std ISO 406 ISO 1101 | projection | mm |
| TOLERANCES UNLESS OTHERWISE SPECIFIED | | | | | |
| Dr | GOISNARD | 27/03/07 | ANGULAR | 0.X ±0.1 | size A3 |
| Eng | LENOIR | 2004/10/01 | LINEAR | 0.XX ±0.1 | |
| Chr | LEGARE | 2004/10/01 | 0.XX' ±2' | 0.XXX ±0.1 | ECN LS07-0184 |
| Appr | LEGARE | 2004/10/01 | Product family | METRAL | Spec ref - |
| FCi METRAL HDR WB 4R PF WITH FRONT HSG ROTATED 180° | | | title | dwg no C-8626-11263 | Rev. H |
| catalog no | | | CUSTOMER sheet 1 of 1 | | |

European Views