

RESETTABLE CIRCUIT BREAKER

LIGHTED ON/OFF POWER SWITCH

482.60 mm [19.000 in]

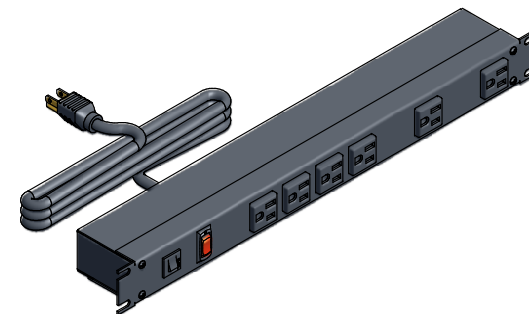
43.64 mm [1.718 in]

165.10 mm [6.500 in]

38.10 mm TYP [1.500 in]

76.20 mm TYP [3.000 in]

ASSEMBLY - VIEW FROM FRONT



ISOMETRIC VIEW

19.05 mm [0.750 in] 444.50 mm [17.500 in] 5.08 mm [0.200 in]

67.58 mm [2.661 in]

6' FOOT POWER CORD (NEMA 5-15P)

ASSEMBLY - VIEW FROM BOTTOM

ASSEMBLY - VIEW FROM SIDE

**1582H6A1BK**

Finish - Front - Black Painted Steel

Back - Black Painted Steel

Rated - 125 VAC, 60 Hz, 15 Amps

Approvals - CSA Certified Standards C22.2 (No. 21-95, 42-99)

- UL Recognized Standard UL1363

**Colours & Cord Length**

1582H6A1BK - Black w/ 6' Foot Power Cord (NEMA 5-15P)

1582H6A1- ASA 61 Grey w/ 6' Foot Power Cord (NEMA 5-15P)

1582H6B1BK - Black w/ 15' Foot Power Cord (NEMA 5-15P)

1582H6B1- ASA 61 Grey w/ 15' Foot Power Cord (NEMA 5-15P)

10.31 mm [0.406 in] 461.98 mm [18.188 in] 5.97 mm [0.235 in]

31.70 mm [1.248 in]

127.00 mm [5.000 in]

SECTION A-A

R3.18 mm [0.125 in]



**HAMMOND MANUFACTURING™**

**1582H6A1BK**

www.hammondmfg.com