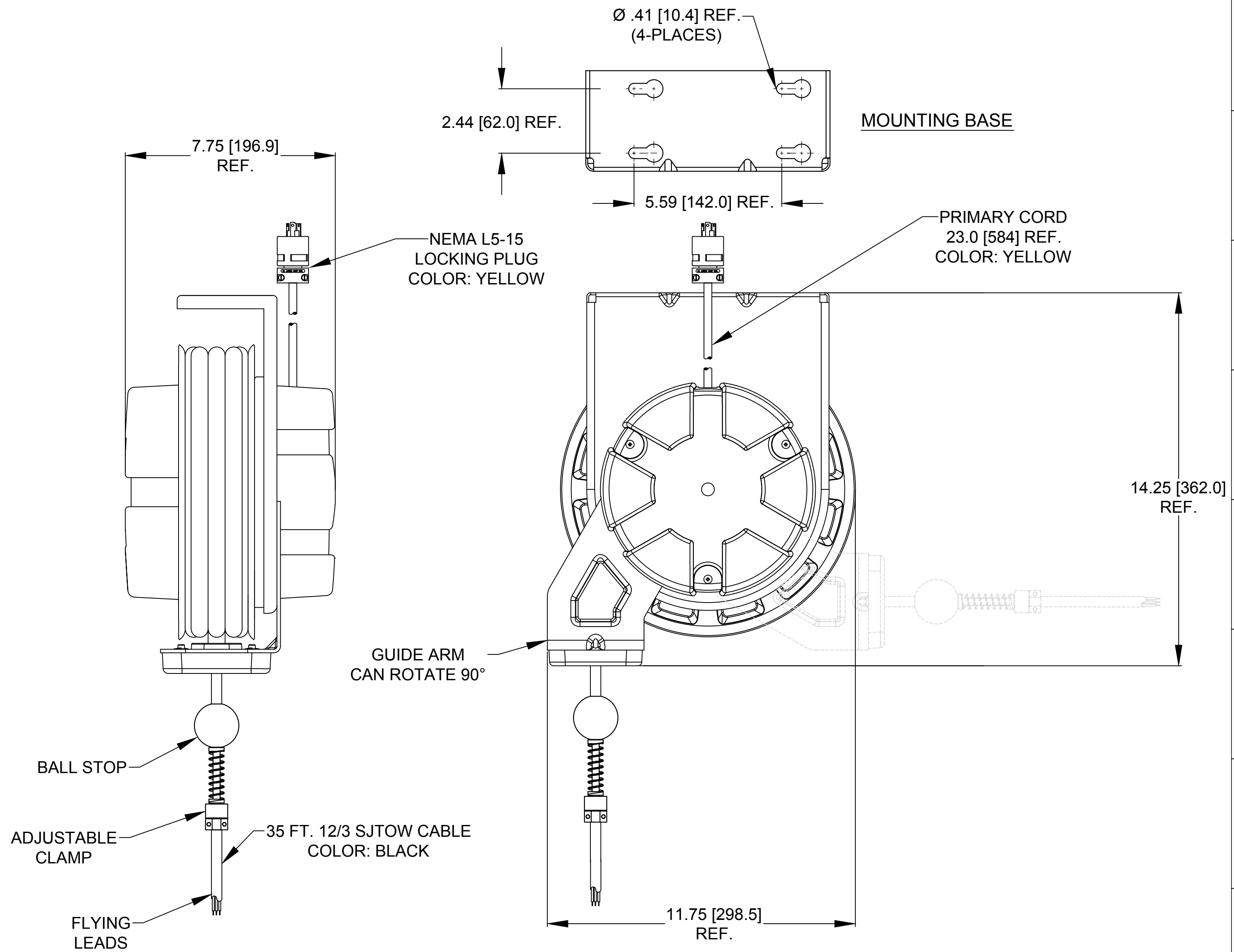


| | |
|--------------------------|--------------------|
| ORDER NO. | 1300910210 |
| WOODHEAD ENG. NO. | 997L |
| WIRE GAUGE | 12 |
| CONDUCTORS | 3 |
| AMPERAGE | 15A |
| CORD LENGTH | 35 FT [10.6 M] |
| CORD TYPE | SJTOW |
| CONSTRUCTION | SHEET METAL |
| PAINT | YELLOW POWDER COAT |
| REEL ENCLOSURE RATING | INDOOR |
| RETRACTION WEIGHT | 3.0 LB [1.4 KG] |



- NOTES:**
- CABLE GUIDE IS ADJUSTABLE - DUAL POSITION
 - RATCHET LOCK IS EASY TO DISENGAGE FOR CONSTANT TENSION.
 - REEL CANNOT BE "LOCKED OUT" AT FULL TENSION.
 - BALL STOP INCLUDED
 - CSA CERTIFIED
FILE NO. LR29921



| | | | | | | | | | | |
|--|----------------|--|-------|-------------------------|------------|---|-------------------------|------------------------|--|--|
| RELEASE SALES DRAWING EC NO.: IPG2016-0112 DRWN: KCOX01 2015/07/30 CH'KD: HRUIZ01 2015/07/30 APPR: JFMURPHY 2015/09/17 | QUALITY SYMBOL | GENERAL TOLERANCES (UNLESS SPECIFIED) | | DIMENSION STYLE INCH/MM | | SCALE NTS | DESIGN UNITS INCH | THIRD ANGLE PROJECTION | | |
| | ▼=0 | mm | INCH | DRAWN BY | DATE | TITLE | | | | |
| | ▽=0 | 4 PLACES | ±--- | ±--- | KCOX01 | 2015/07/30 | 15A CORDREEL W/FLY LEAD | | | |
| | | 3 PLACES | ±--- | ±.005 | CHECKED BY | DATE | 35' #12-3 SJTOW | | | |
| | | 2 PLACES | ±.13 | ±.010 | HRUIZ01 | 2015/07/30 | NEMA L5-15 LOCKING PLUG | | | |
| | 1 PLACE | ±.25 | ±.020 | APPROVED BY | DATE | MATERIAL NO. | | DOCUMENT NO. | | |
| | | ANGULAR ±1/2° | | JFMURPHY | 2015/09/17 | 1300910210 | | SD-130091-020 | | |
| | | DRAFT WHERE APPLICABLE MUST REMAIN WITHIN DIMENSIONS | | SIZE C | | THIS DRAWING CONTAINS INFORMATION THAT IS PROPRIETARY TO MOLEX INCORPORATED AND SHOULD NOT BE USED WITHOUT WRITTEN PERMISSION | | | | |
| | | | | | | | | SHEET NO. 1 OF 1 | | |