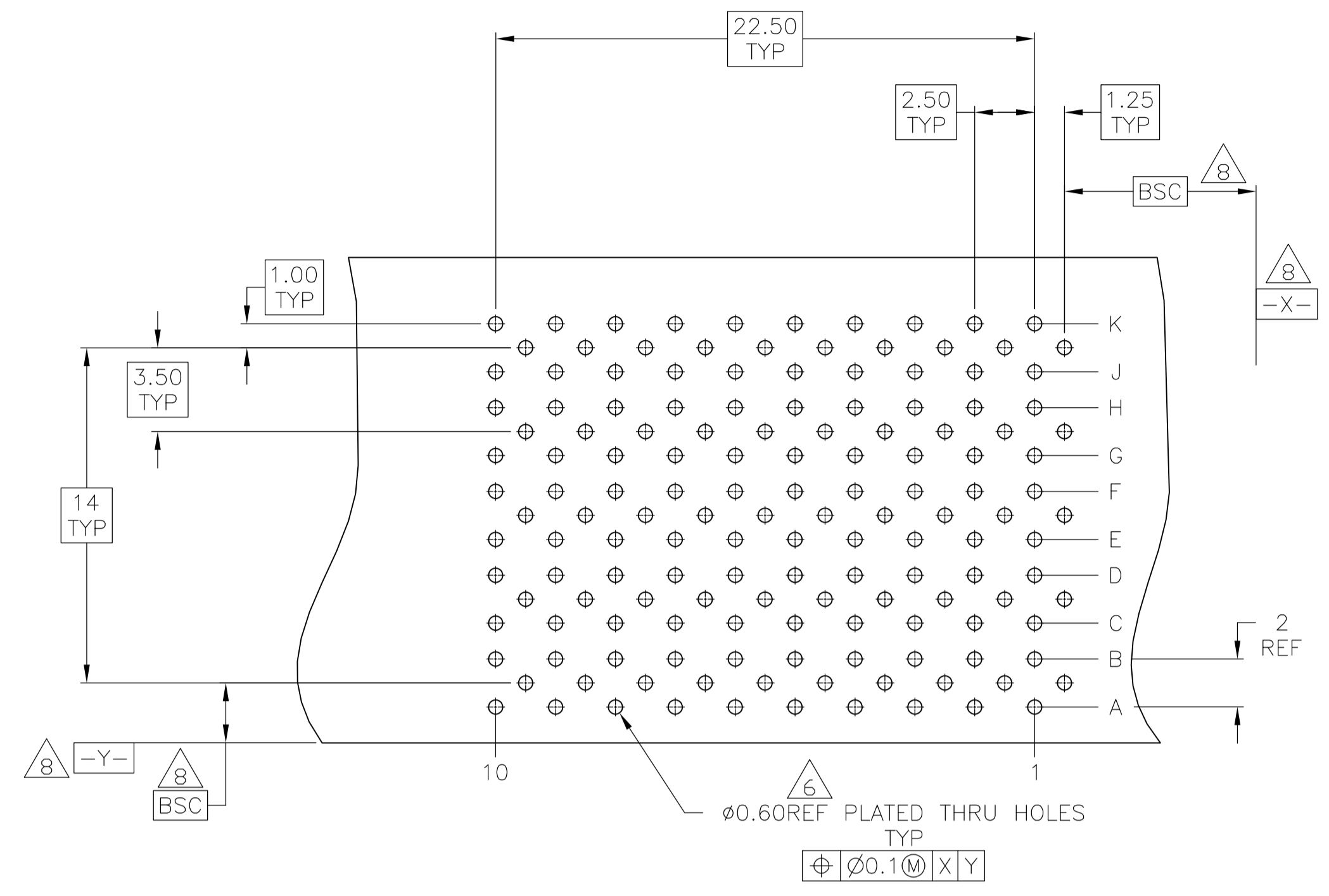
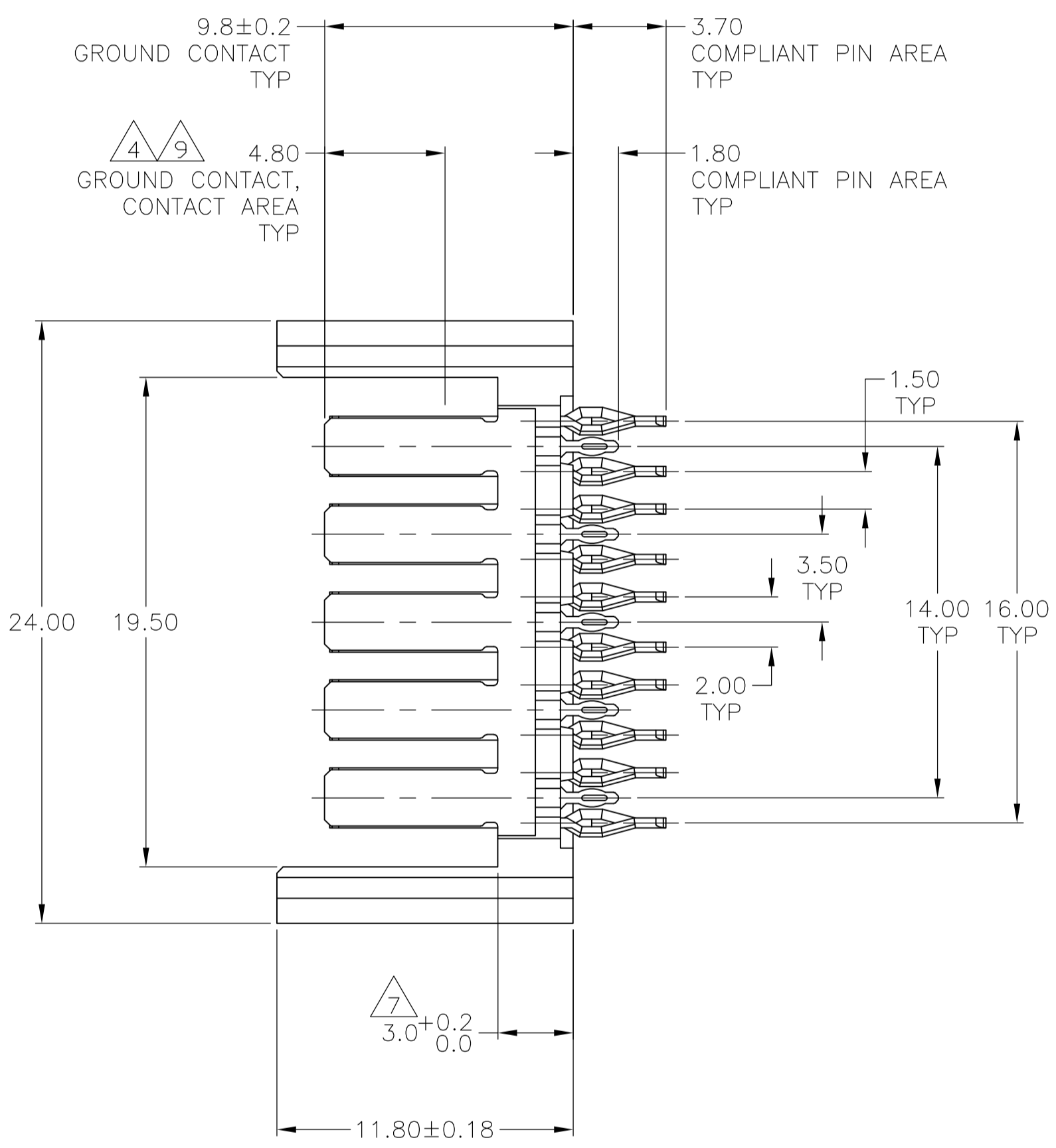
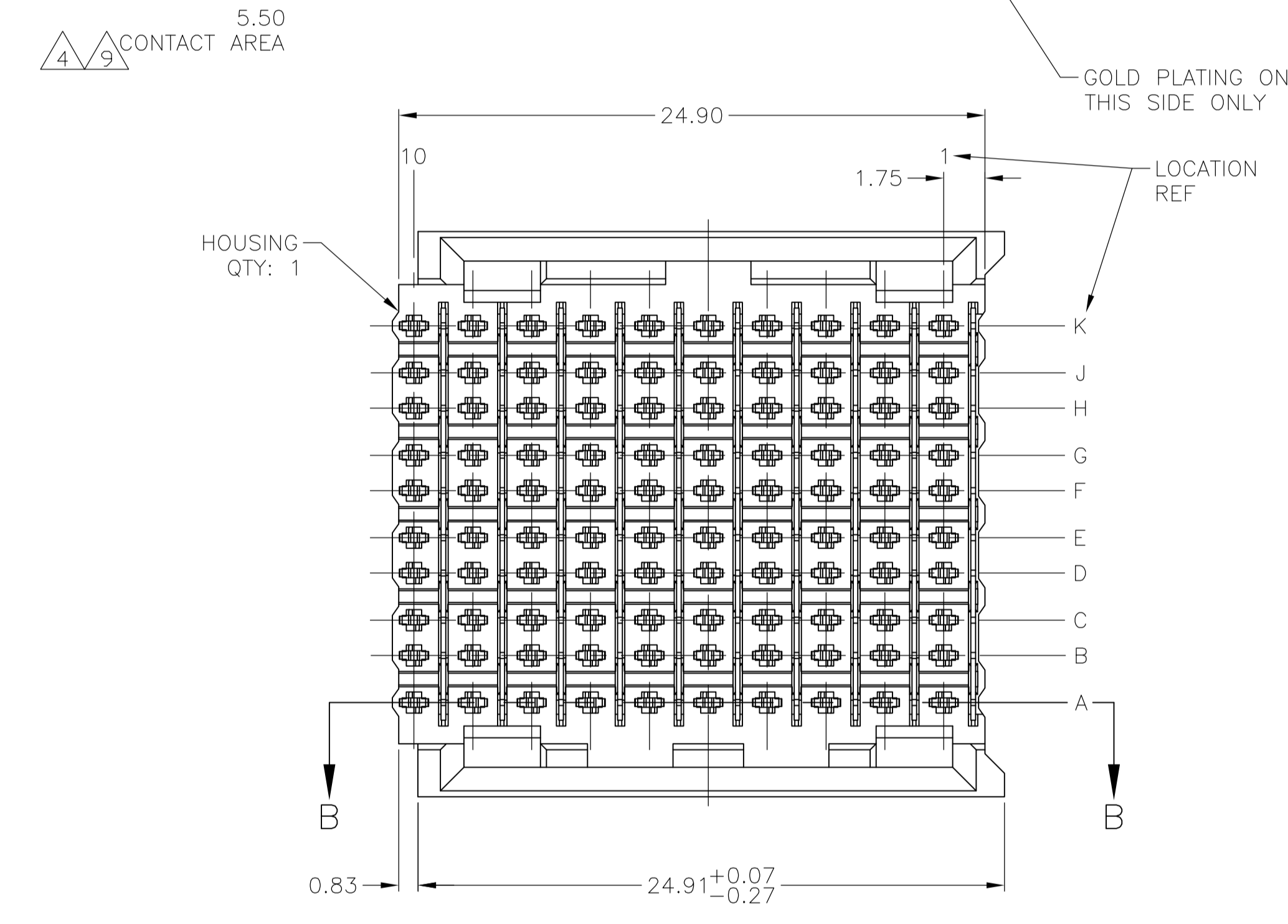
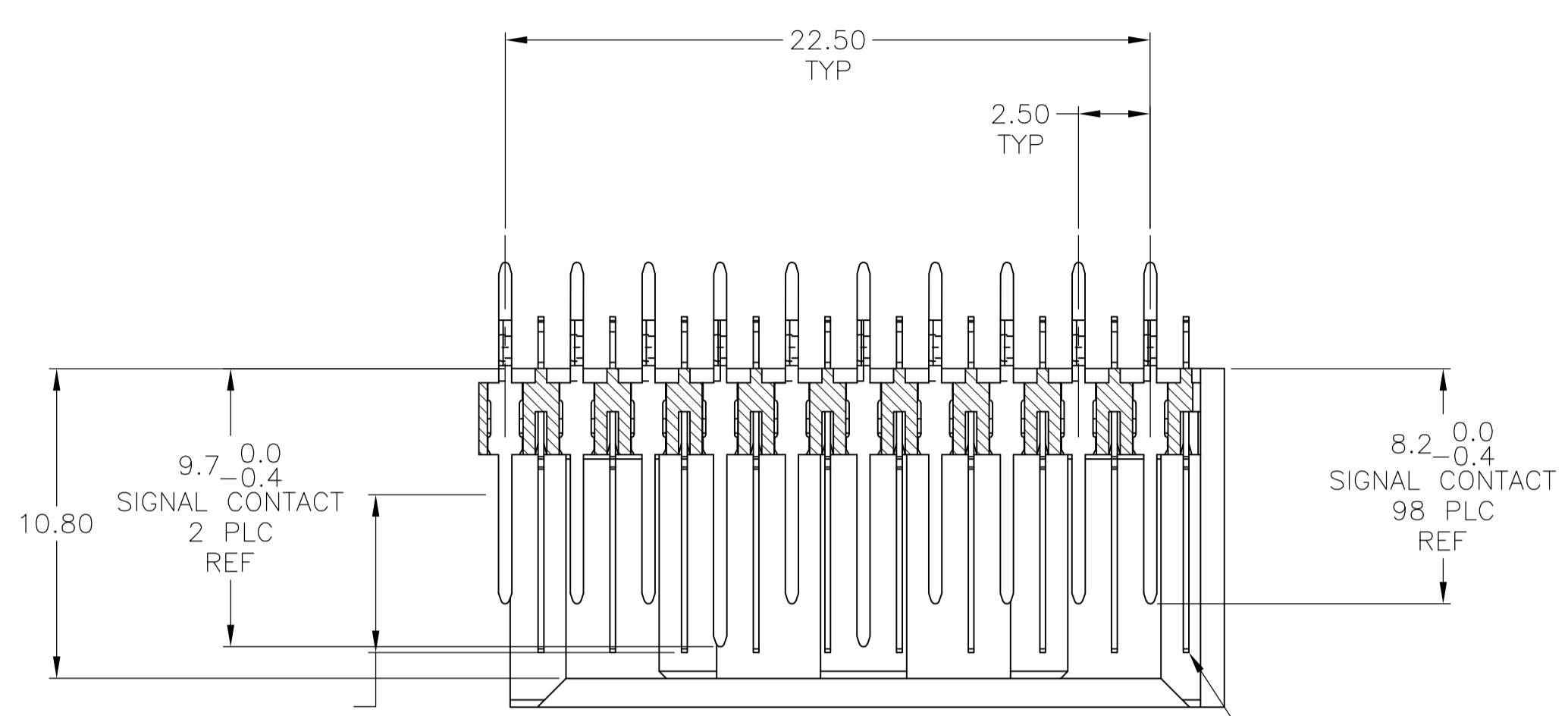
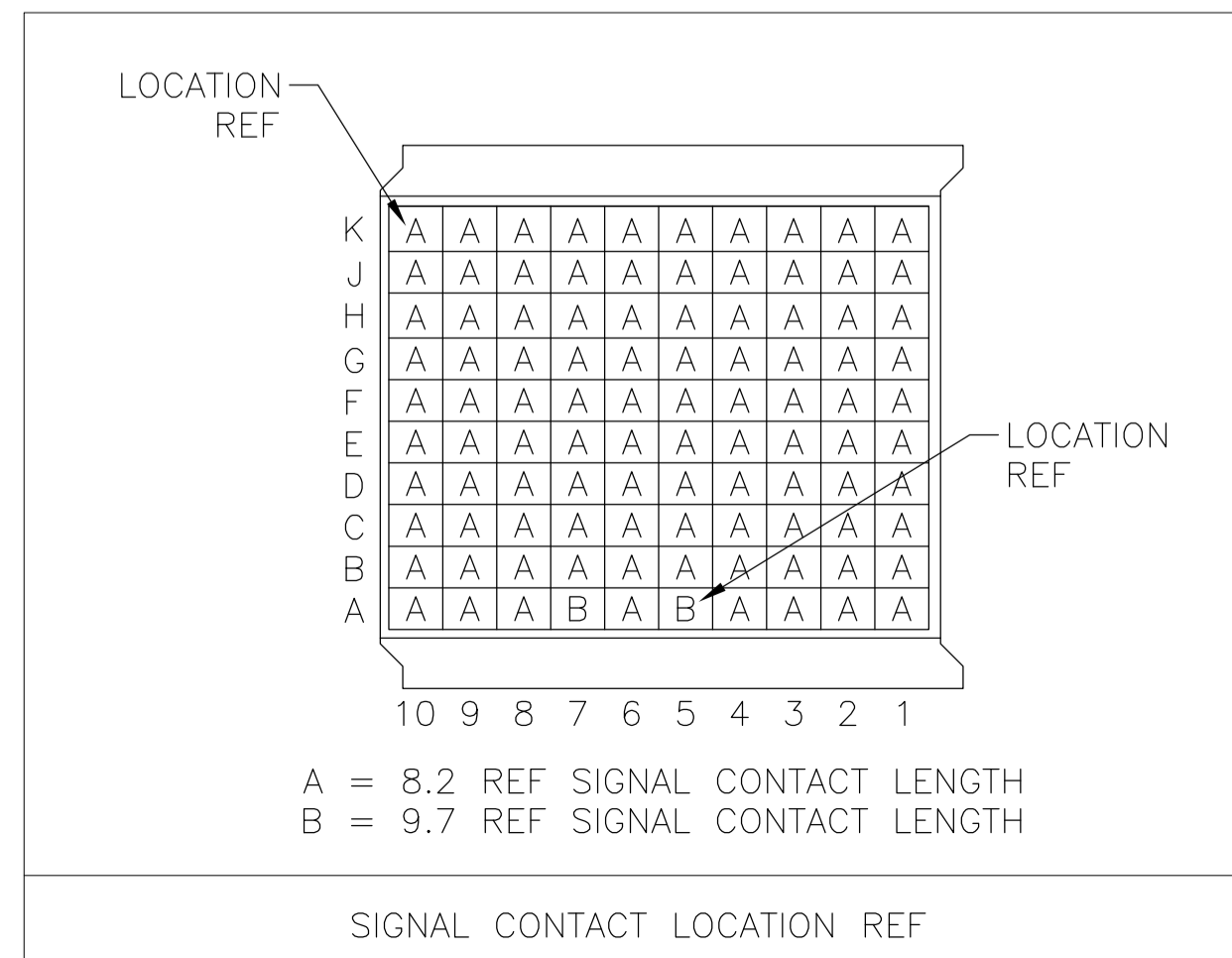
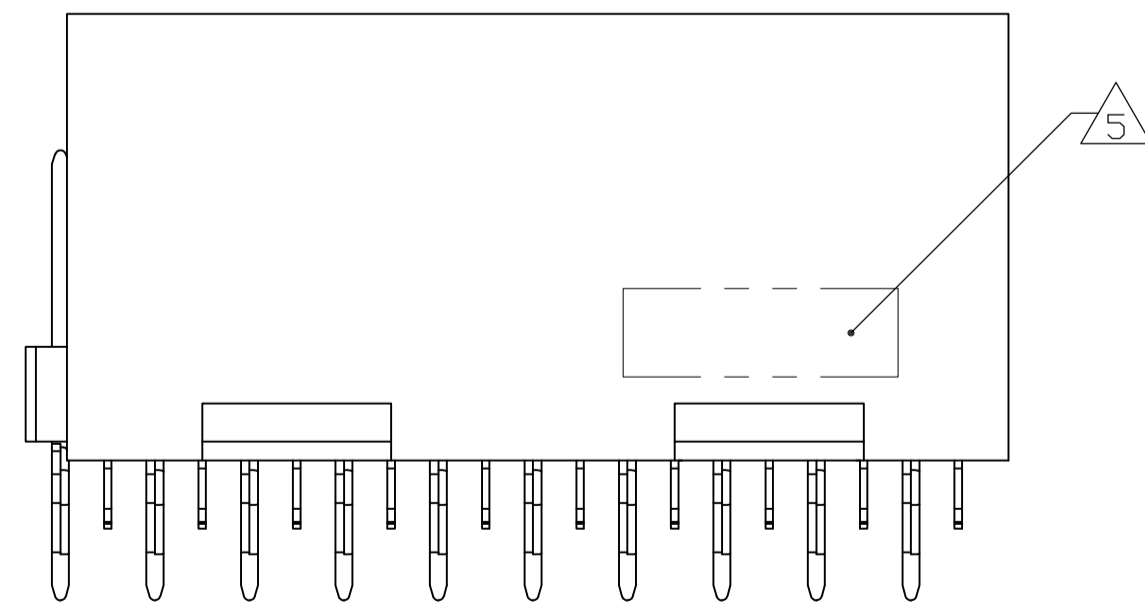


- △ PHOSPHOR BRONZE
- △ LCP, UL94V-0
- △ CONTACT MATING AREA MEETS THE PERFORMANCE REQUIREMENTS OF THE CONNECTIVITY PRODUCT SPECIFICATION 108-1957; BASED ON TELCORDIA GR-1217-CORE, APPLICATIONS IN UNCONTROLLED ENVIRONMENTS.
- △ CONNECTOR MARKED WITH PART NUMBER AND DATE CODE
- △ REFERENCE APPLICATION SPEC 114-13020 FOR RECOMMENDED PLATED THRU HOLE DIAMETER AND PLATING THICKNESS.
- △ APPLICATION SEATING HEIGHT TO PRINTED CIRCUIT BOARD
- △ DATUMS AND BASIC DIMENSIONS ESTABLISHED BY CUSTOMER
- △ CONTACT AREA LUBRICATED WITH BELLCORE APPROVED LUBRICANT TECHNICAL REFERENCE: GR-1217-CORE, ISSUE 1, NOVEMBER 1995



RECOMMENDED PRINTED CIRCUIT BOARD LAYOUT  
COMPONENT SIDE OF PRINTED CIRCUIT BOARD



ROW A: 5, 7	ROWS B THRU K: 1-4, 6, 8-10	5120909-1
SIGNAL CONTACT TYPE B QTY: 2	SIGNAL CONTACT TYPE A QTY: 98	PART NUMBER

THIS DRAWING IS A CONTROLLED DOCUMENT.		DIN B CARBO 09DEC04	STE TE Connectivity	
DIMENSIONS: mm		CHK R PATTERSON 09DEC04	NAME	
TOLERANCES UNLESS OTHERWISE SPECIFIED:		APP'D R PATTERSON 09DEC04	PRODUCT SPEC	
0. PLC ± -		APPLICATION SPEC		
1. PLC ± 0.13		SIZE CASE CODE DRAWING NO		
2. PLC ± 0.05		WEIGHT		
3. PLC ± -		A1 00779 C=5120909		
4. PLC ANGLES ± -		CUSTOMER DRAWING SCALE 5:1 SHEET 1 OF 1 REV B		