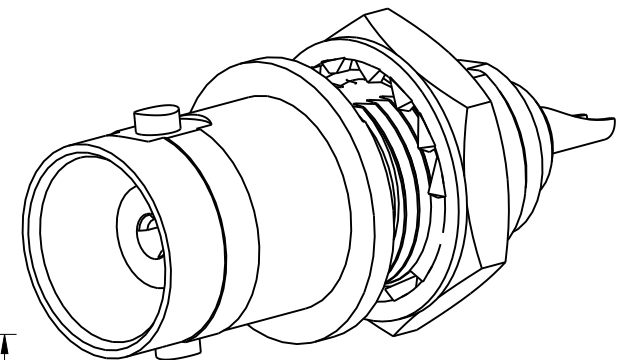
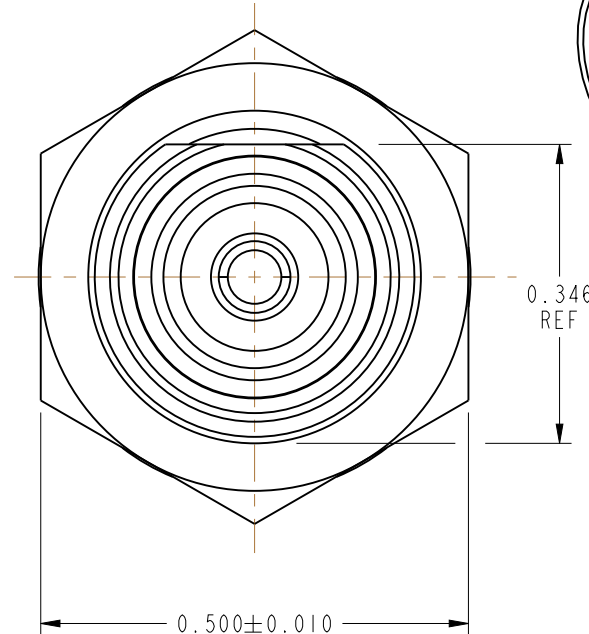
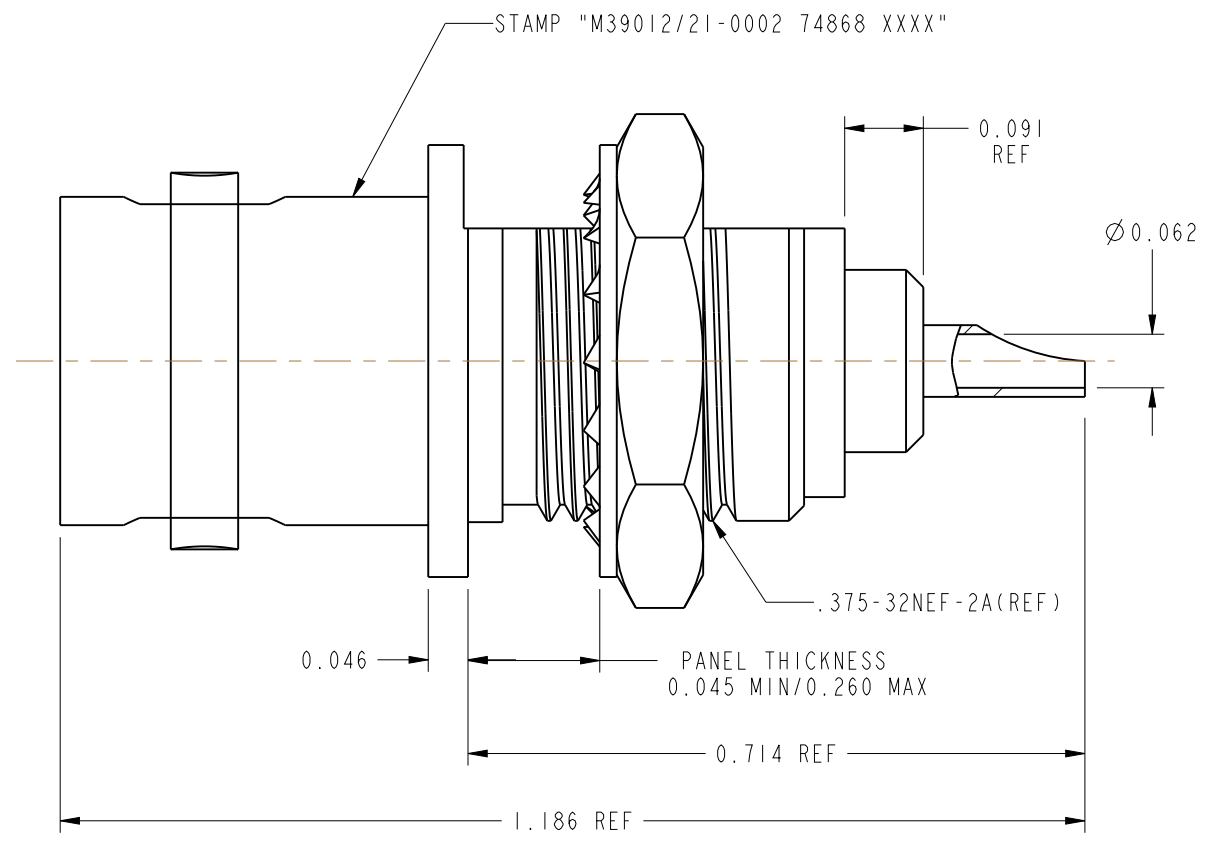


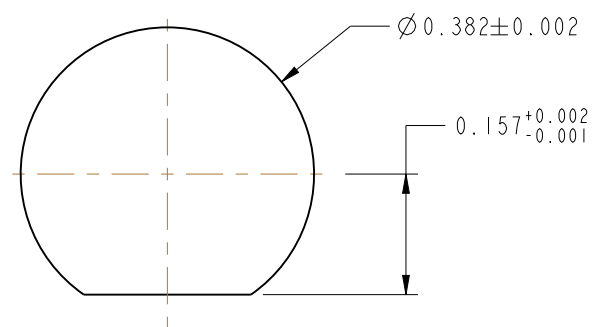
NOTES:

1. MATERIALS AND FINISHES:  
 BODY - BRASS, SILVER PLATING  
 CONTACT - PHOSPHOROUS BRONZE, GOLD PLATING  
 INSULATOR - PTFE
2. ELECTRICAL:  
 A. IMPEDANCE: 50 OHM  
 B. FREQUENCY RANGE: DC - 4 GHz
3. MECHANICAL:  
 A. DURABILITY: 500 CYCLES MIN.  
 B. TEMPERATURE RANGE: -65° C TO 165° C
4. PACKAGING:  
 A. QUANTITY: SINGLE PACK  
 B. MARKING: BAG TO BE MARKED  
 "M39012/21-0002" AND "31-3376"

31-3376		REVISIONS			
DRAWING NO.	REV	DESCRIPTION	DATE	ECO	APPR
THIRD ANGLE PROJ.	--	RELEASE TO MFG.	----	----	----
	U	RE-DRAWN IN PRO-E	6/15/11	47923	CL
	V	CORRECT PLACEMENT OF STAMP	4/10/13	49499	CPM



SCALE 3.000



RECOMMENDED MOUNTING HOLE DIMENSIONS

MIL-C-39012 INSPECTION

**CUSTOMER OUTLINE DRAWING**  
 ALL OTHER SHEETS ARE FOR INTERNAL USE ONLY

UNLESS OTHERWISE SPECIFIED, DIMENSIONS ARE IN INCHES AND TOLERANCES ARE: 2 PLACE DECIMAL ±.015 (0,381 mm) 3 PLACE DECIMAL ±.005 (0,127 mm) ANGLES ± 1°	MATERIAL	DRAWN CLEMENT	DATE 17-Dec-09	TITLE BNC JACK BULKHEAD RECEPTACLE FRONT MOUNT	Amphenol RF Danbury, CT, USA Tainan, Taiwan Shenzhen, China www.amphenolrf.com		
	NOTICE - These drawings, specifications, or other data (1) are, and remain the property of Amphenol Corp. (2) must be returned upon request; and (3) are confidential and not to be disclosed to any person other than those to whom they are given by Amphenol Corp. The furnishing of these drawings, specifications, or other data by Amphenol Corp., or to any other person to anyone for any purpose is not to be regarded by implication or otherwise in any manner licensing, granting rights or permitting such holder or any other person to manufacture, use or sell any product, process or design, patented or otherwise, that may in any way be related to or disclosed by said drawings, specifications, or other data.	REFERENCE MIL-C-39012/21-0002 GE SPEC 19A115938	ENGINEER H. HUTTER			DATE 6/9/70	APPROVED K. CAPOZZI
		CAD FILE		CODE ID 74868	DWG SIZE B	DRAWING NO. 31-3376	REV V

SCALE: 4.5:1 SHEET 2 OF 2