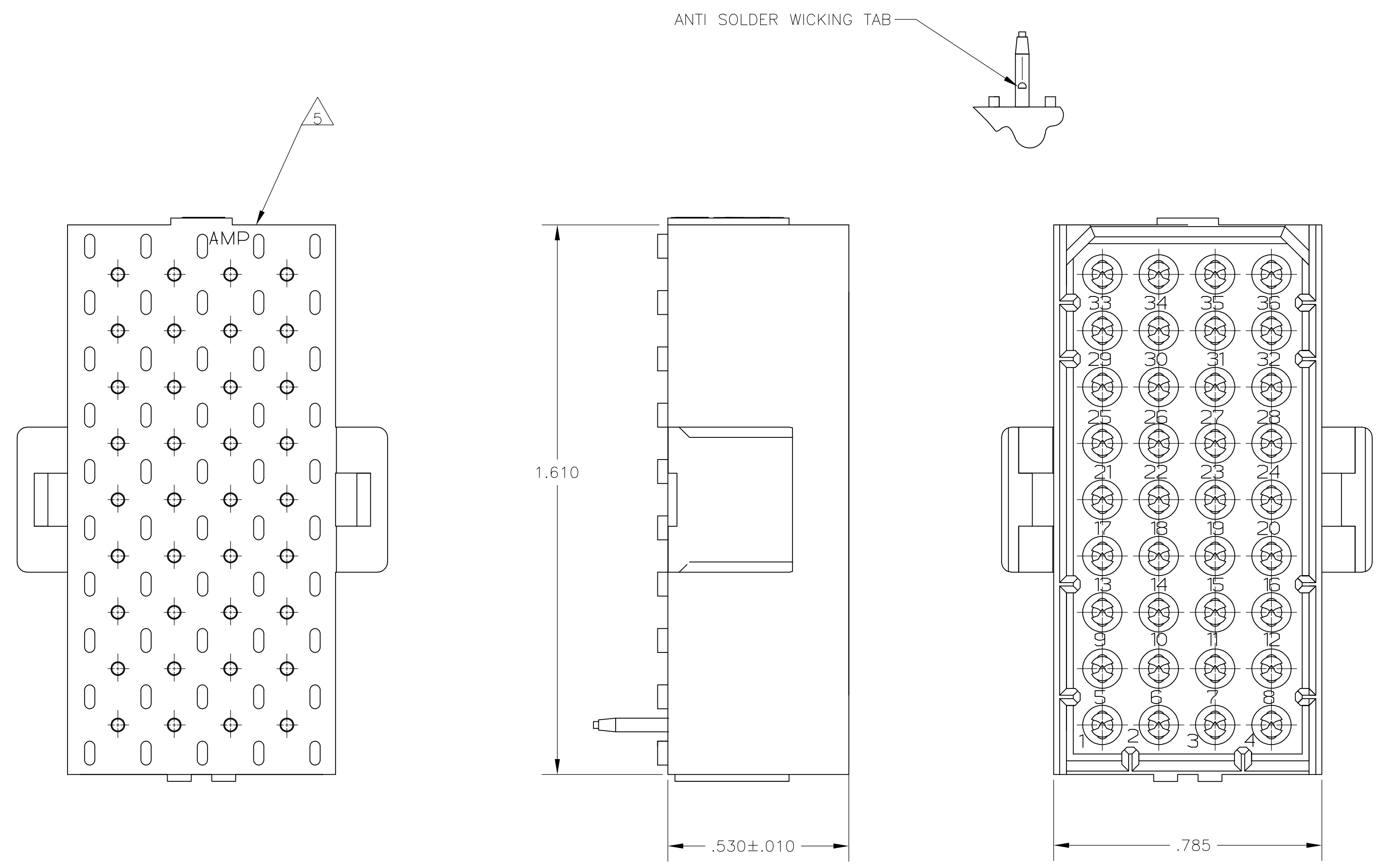
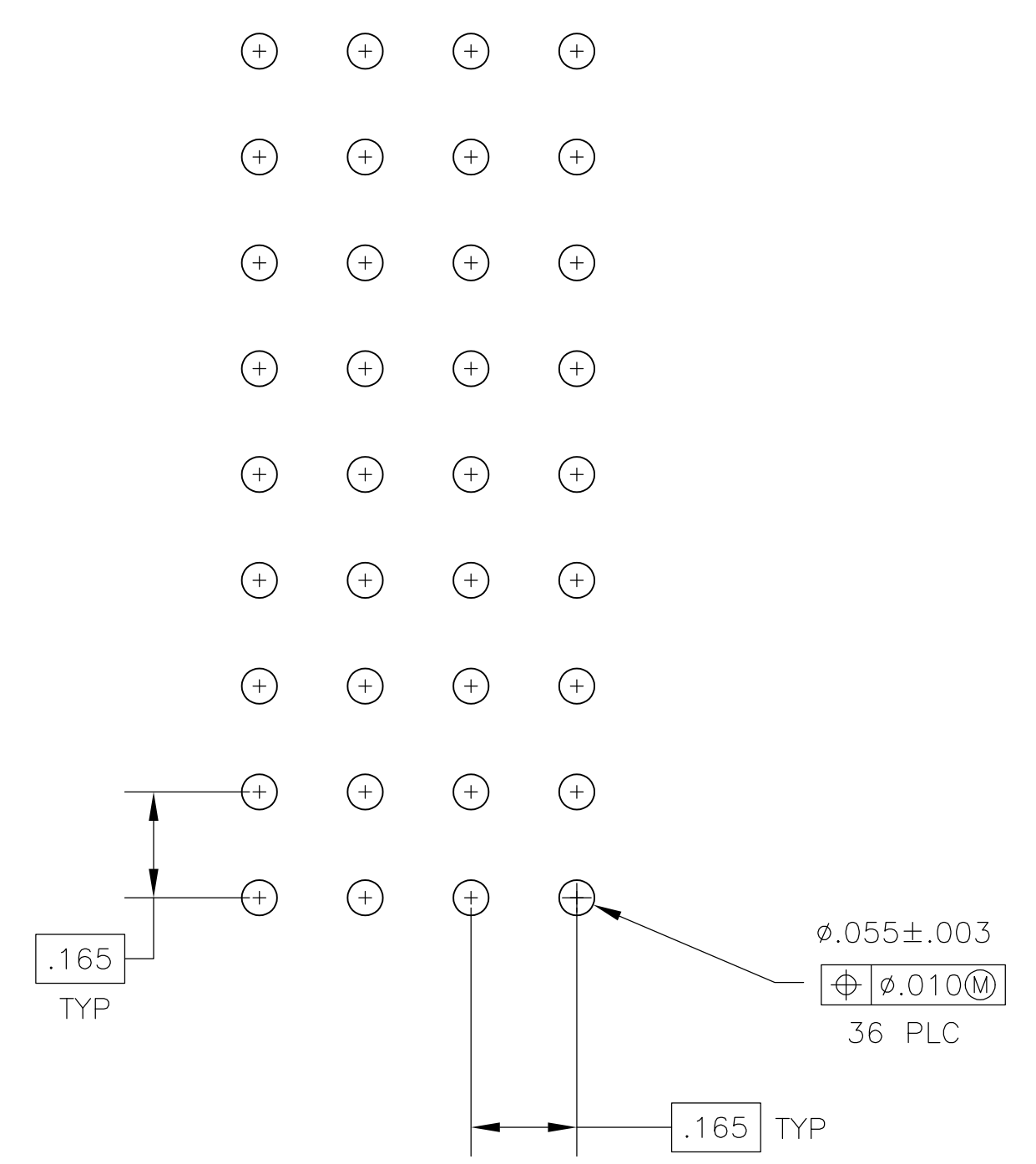


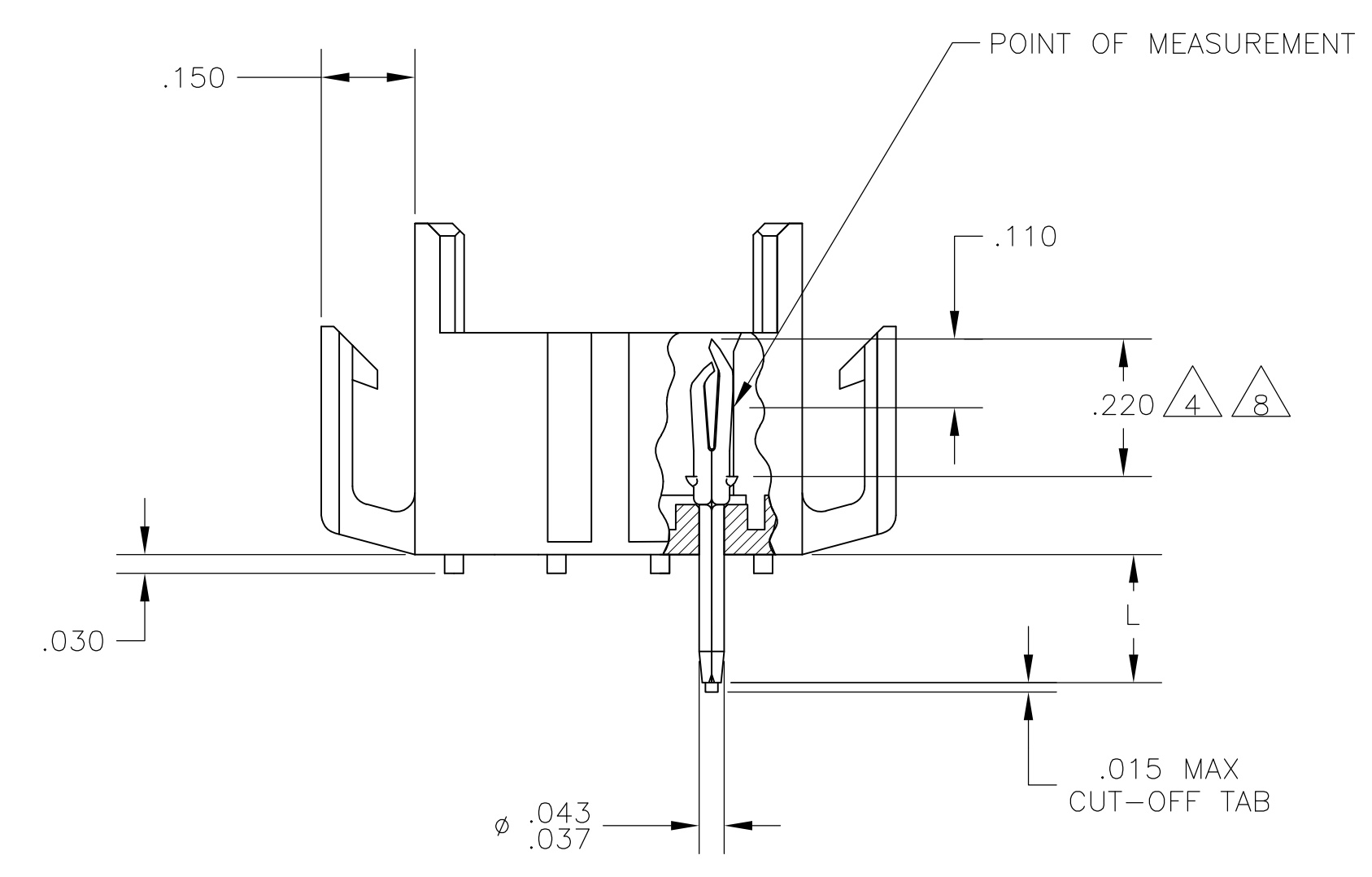
LOC	DIST	REVISIONS			
CM	0	REV	DESCRIPTION	DATE	BY
T3	REVISED PER ECO-11-008144			16APR11	HMR



- 1 FITS SOCKET HOUSING 640526.
- 2 ASSEMBLY CONFORMS TO AMP SOLDERABILITY SPEC. 109-11-3.
- 3 FOR USE WITH .063 THICK P.C. BOARD.
- 4 CONTACT IS PLATED OVERALL WITH .000050 NICKEL, THEN .000030 GOLD OVER CONTACT LENGTH INDICATED AND .000150 MATTE TIN-LEAD ON SOLDER TAIL END.
- 5 UL AND CSA LOGO LOCATED ON THIS SURFACE.
- 6 FOR USE WITH .120 THICK P.C. BOARD.
- 7 TRAY PACKAGED VERSION OF 640506-1. PACKAGED 54 PCS. PER TRAY AND 7 TRAYS PER BOX.
- 8 CONTACT IS PLATED OVERALL WITH .000050 NICKEL, THEN .000030 GOLD OVER CONTACT LENGTH INDICATED AND .000150 MATTE TIN ON SOLDER TAIL END.
- 9 OBSOLETE PARTS: OBSOLETE CIS STREAMLINING PER D.RENAUD/D.SINISI
- 10 PARTITION PACKED AND BOXED, 270 PCS PER CARTON.



RECOMMENDED P.C. BOARD LAYOUT



IN	MM	IN	MM	IN	MM
.015	0.38	.110	2.79	1.610	40.89
.010	0.25	.063	1.60	.785	19.94
.008	0.20	.055	1.40	.530	13.46
.005	0.13	.043	1.09	.220	5.59
.003	0.08	.037	0.94	.210	5.33
.000050	0.00127	.030	0.76	.165	4.19
.000030	0.00076	.020	0.51	.150	3.81

CONVERSION TABLE

REV	DESCRIPTION	DATE	BY	
10	.210	BRICK RED	GOLD	1-640506-4
9	.210	BRICK RED	GOLD	2-640506-4
8	.150	BRICK RED	GOLD	2-640506-2
7	.150	BRICK RED	PRE-TIN	1-640506-0
6	.210	BRICK RED	GOLD	640506-4
5	.210	BRICK RED	PRE-TIN	640506-3
4	.150	BRICK RED	GOLD	640506-2
3	.150	BRICK RED	PRE-TIN	640506-1

THIS DRAWING IS A CONTROLLED DOCUMENT.

DIMENSIONS: INCHES	TOLERANCES UNLESS OTHERWISE SPECIFIED:	0 PLC ± -	1 PLC ± -	2 PLC ± -	3 PLC ± .005	4 PLC ± -	ANGLES ± 0° 30'
MATERIAL: HOUSING FLAME RETARDANT NYLON, UL 94V-0; PIN, .008 PH BRZ	FINISH: SEE FINISH	APPROVED: T. REDDICK	DATE: 28 APR 98	NAME: J. HUFFMAN	DATE: 28 APR 98	TE Connectivity HEADER ASSEMBLY, PIN, 36 POSITION MR.	
WEIGHT: -	SIZE: A1	CAGE CODE: 00779	DRAWING NO: 640506	RESTRICTED TO: -	CUSTOMER DRAWING SCALE: 4:1 SHEET: 1 OF 1 REV: T3		

