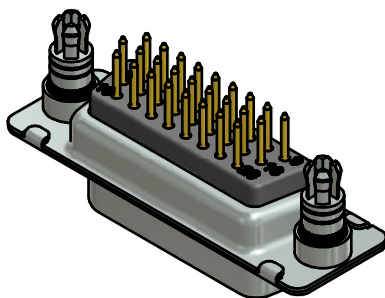
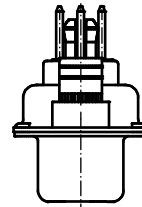
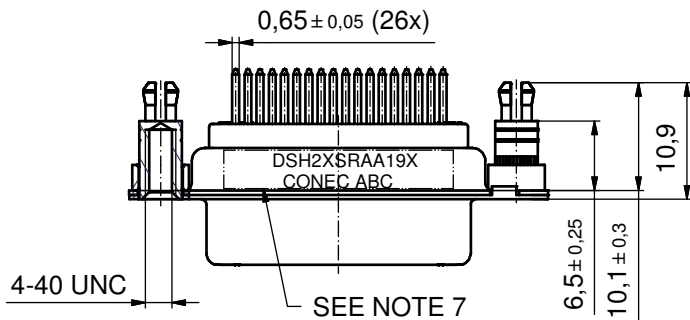
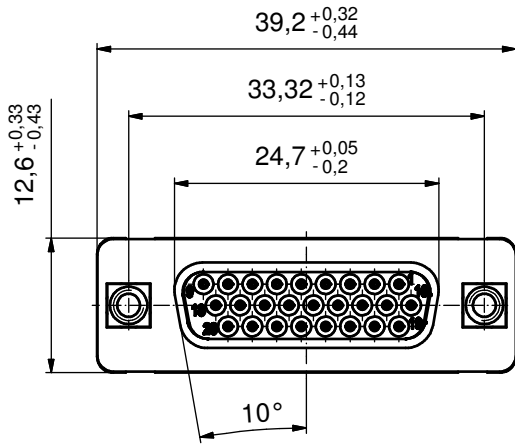
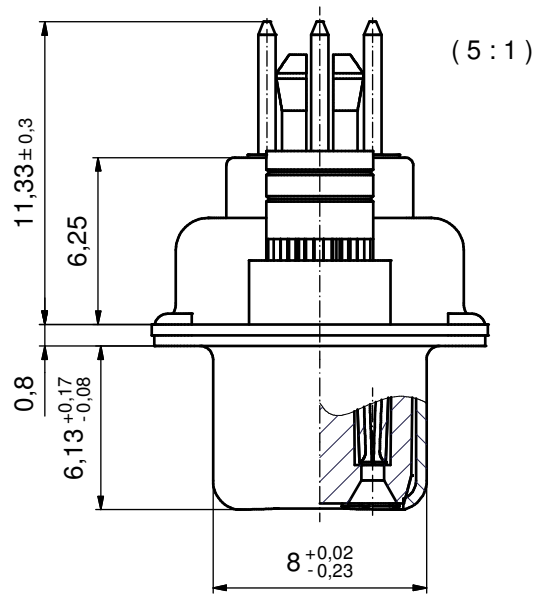


P.C.B. HOLE DRILLINGS
(P.C.B. TOP SIDE)



NOTES:

1. METALSHELLS: STEEL; min. 315µm TIN over 40-80µm NICKEL
2. INSULATORS: PBT GF UL 94 V-0, BLACK
3. CONTACTS: COPPER ALLOY
PLATING MATING AREA: GOLD FLASH over NICKEL
4. THREADED SPACER CLIPS: COPPER ALLOY; min. 200µm TIN over 80µm NICKEL
5. COLLARS: COPPER ALLOY; min. 200µm TIN over 80µm NICKEL
6. MAXIMUM TORQUE VALUE FOR THREAD: 6 in.LB
7. CONNECTOR IS PART MARKED: DSH2XSRAA19X CONEC ABC

Directive 2002/95/EC RoHS compliant

THIS DRAWING MAY NOT BE COPIED OR REPRODUCED IN ANY WAY, AND MAY NOT BE PASSED ON TO A THIRD PARTY WITHOUT WRITTEN PERMISSION. OWNERSHIP AND COPYRIGHT OF CONEC GmbH DO NOT ALTER CAD DRAWING BY HAND	finish:		tolerance		dim. in mm	scale: 2:1 (5:1)		
						material: SEE NOTES		
			date		name		title: D-SUB HD FEMALE 26pos. SOLDER PIN STRAIGHT threaded spacer clip	
			drawn 22.11.10		Henneboel			
			appd. 22.11.10		Fischer			
			norm		d-old		dwg no:	
	1 x b	A3946	18.03.2011	K.H.			16K1A2740	
a	Original			part no: DSH2XSRAA19X			DIN-A3	
rev.	description	date	name			sh: 1		